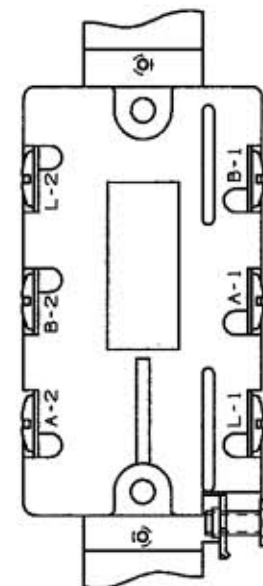
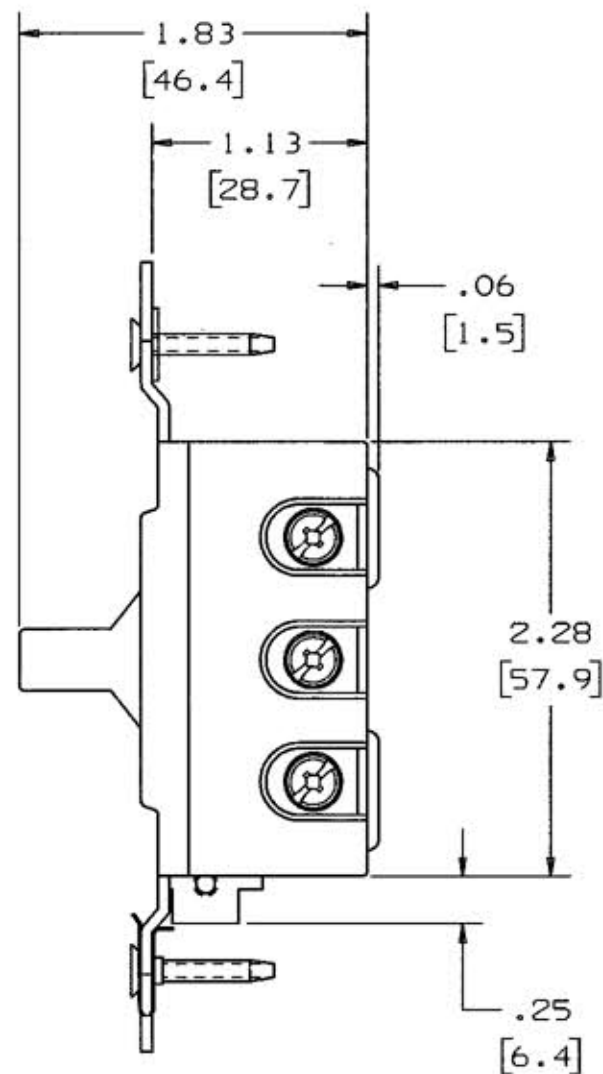
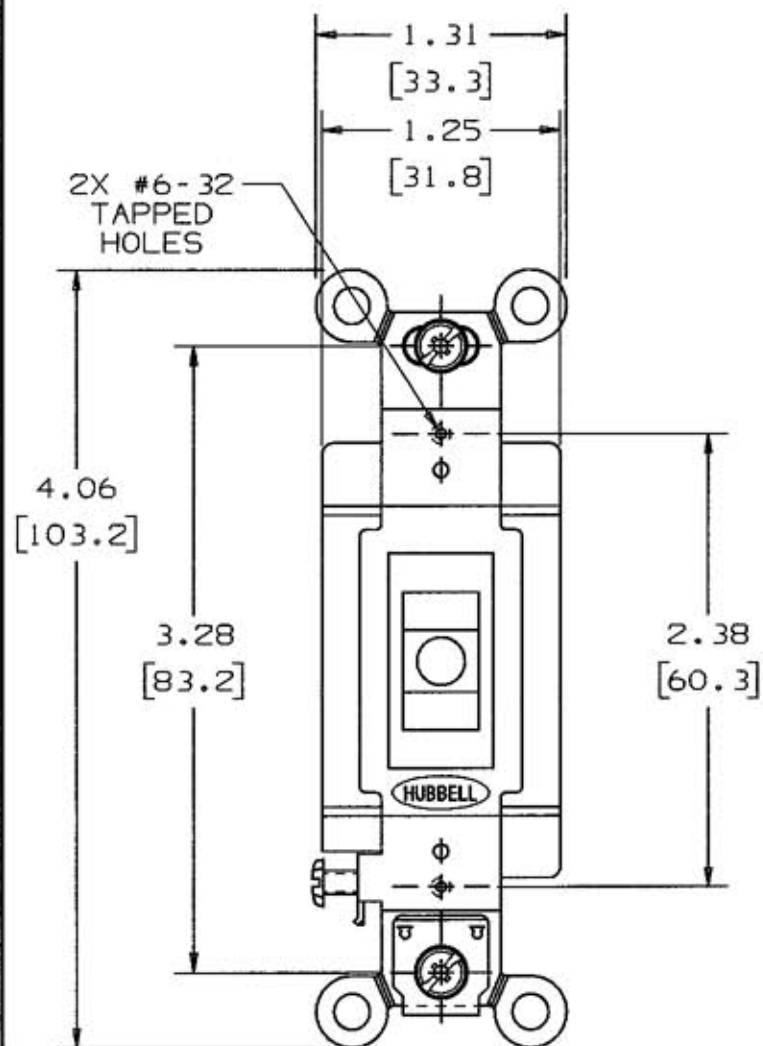


M-7162 2



CATALOG NO.	TOGGLE COLOR	AMPERAGE/VOLTAGE RATING
HBL1382	BROWN	15A 120-277VAC
HBL1382I	IVORY	15A 120-277VAC
HBL1386	BROWN	20A 120-277VAC
HBL1386I	IVORY	20A 120-277VAC
HBL1386W	WHITE	20A 120-277VAC
HBL1388	BROWN	30A 120-277VAC
HBL1388I	IVORY	30A 120-277VAC

NOTES: (UNLESS OTHERWISE SPECIFIED)

- 1) DEVICES RATED 15A & 20A HAVE PLAIN BRASS FINISH; DEVICES RATED 30A HAVE TIN PLATED FINISH.
- 2) DIMENSIONS ARE: INCHES [MM]
- 3) XX TOLERANCE TO BE $\pm .03$ [0.76]

LIST OF PARTS

DESCRIPTION	MATERIAL	FINISH
HOUSING	UREA	
COVER	UREA	
TOGGLE	NYLON	
STATIONARY TERMINAL	.031 BRASS	NOTE 1
SPRING ARM TERMINAL	.031 BRASS	NOTE 1
WIRE CLAMP	.062 STEEL	TIN PLATE
BRIDGE	.050 STEEL	NICKEL PLATE
CONTACTS	SILVER/CADMIUM OXIDE	
BINDING SCREWS	BRASS	
MOUNTING SCREWS	STEEL	ZINC PLATE

SYMBOL	REVISIONS	APP	DATE
2	ADDED NOTES 2 & 3 AND DUAL DIMENSIONING. ADDED CAT. NO. HBL1386W TO TABLE. DECIMAL DIMENSIONS WERE FRACTIONAL; TRI-DRIVE SCREWS WERE SLOTTED PER DCN #13355. JMN	DJP	12/5/06
1	"X" REMOVED; LAST X-REVISION WAS X-0 PER DCN # 2123. JMN	CJC	8/30/93

THE DESIGN AND DIMENSIONS OF THE PRODUCT SHOWN ON THIS DRAWING ARE SUBJECT TO CHANGE WITHOUT NOTICE

TITLE
FLUSH A.C. TOGGLE SWITCH
DOUBLE POLE DOUBLE THROW
CENTER OFF

TOLERANCES UNLESS OTHERWISE SPECIFIED FRACTIONS $\pm 1/64$ DECIMALS $\pm .005$ ANGLES $\pm 2^\circ$	WIRING DEVICE-KELLEMS HUBBELL INCORPORATED BRIDGEPORT, CT	
	DR. BY JMN	APP. BY CJC
	TR. BY	SCALE
	CHK'D BY DJP	DATE 8/30/93