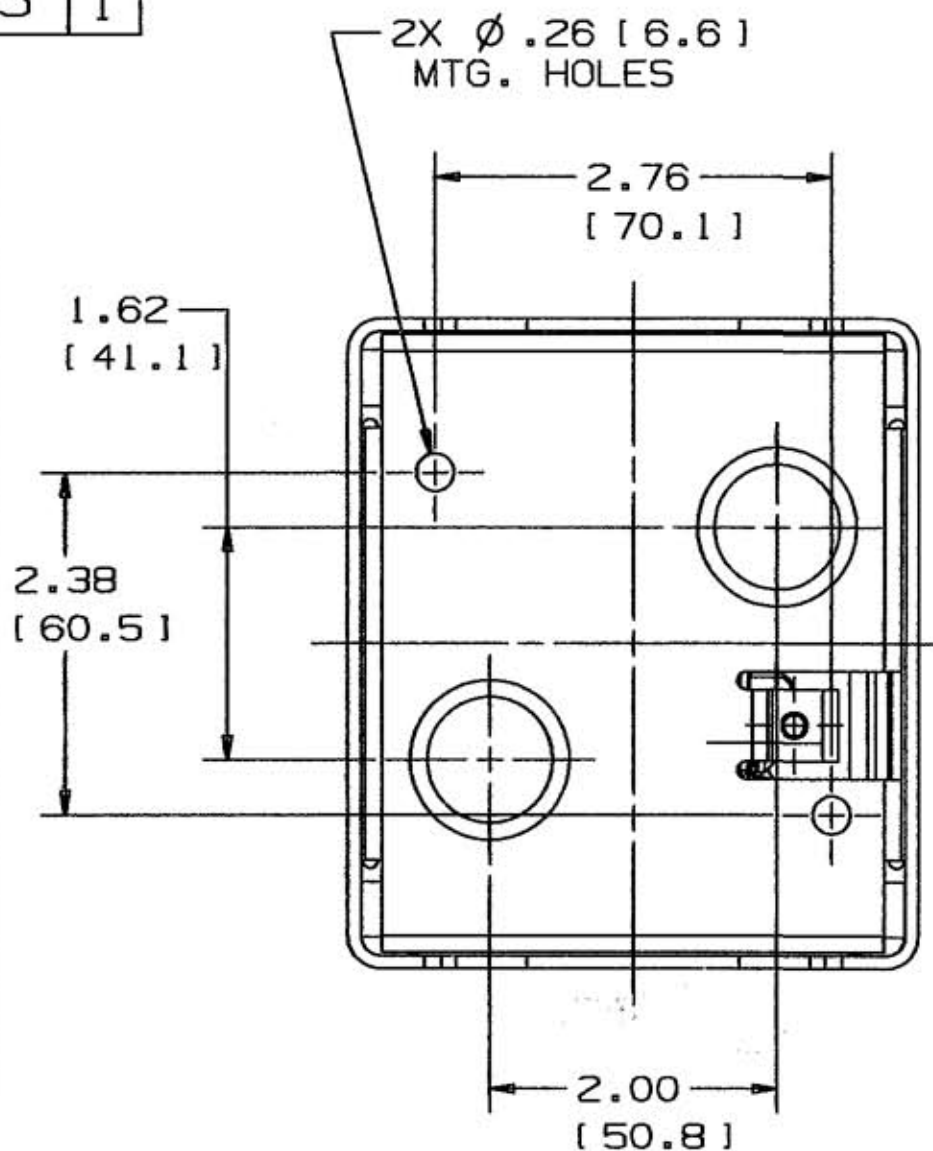
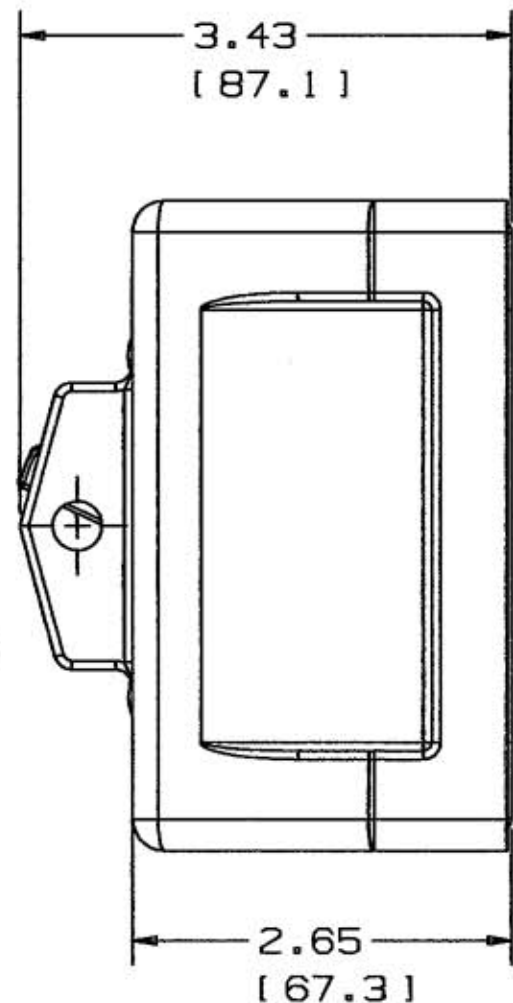
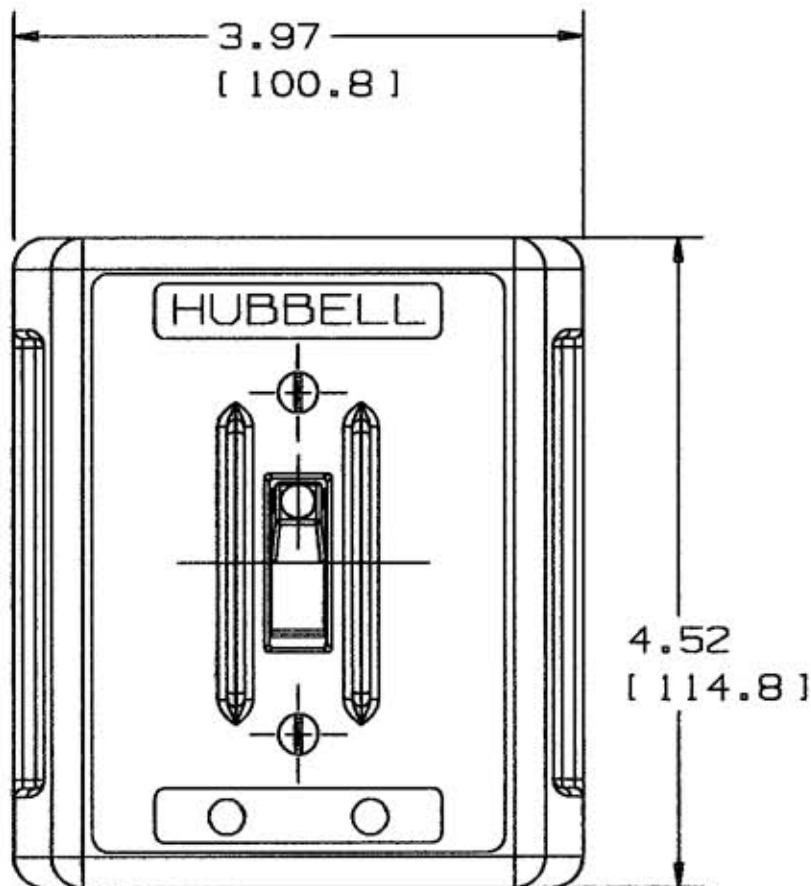
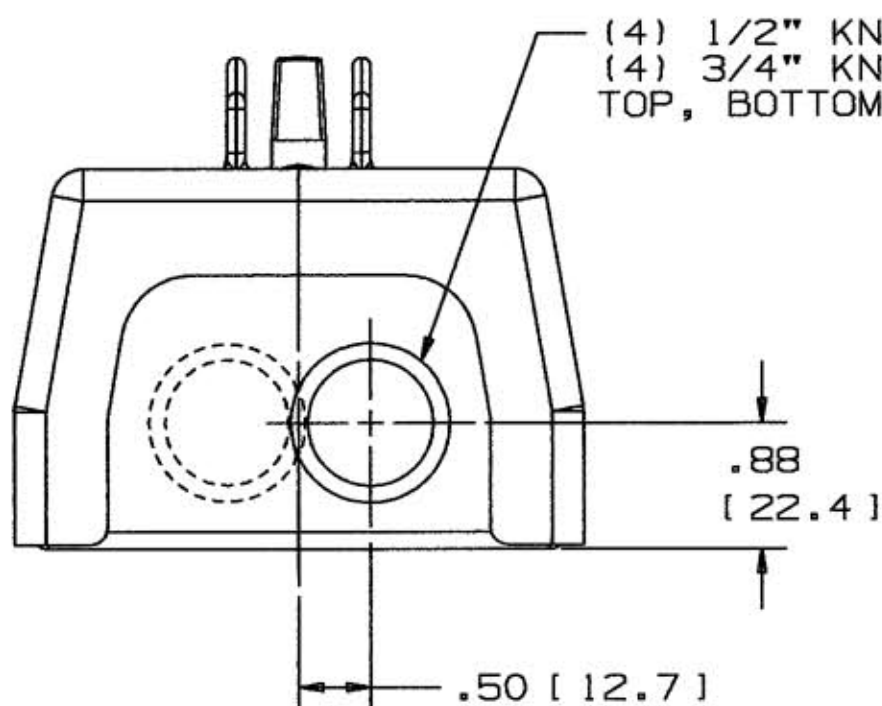


M-9373 1



(4) 1/2" KNOCKOUTS (Ø .875)
 (4) 3/4" KNOCKOUTS (Ø 1.109)
 TOP, BOTTOM AND BACK AS SHOWN.



DIMENSIONS IN INCHES [MM]

CATALOG NO.	PHASE	GENERAL RATING	H.P. RATINGS				TERM. MAX. CAP. & WIRE INFO.	INSUL.	STRIP	TERMINAL TORQUE LB. IN. [Nm]
			120V AC	240V AC	480V AC	600V AC		IN. [MM]	MM [IN.]	
HBL1392D	1Ø	30A	2	5	10	15	#10 AWG	1-1/4	5/8	20
HBL1389D	3Ø	600VAC	3	7.5	15	20	CU ONLY	[32]	[16]	[2.4]
HBL1390		EMPTY ENCLOSURE TO BE USED WITH HBL7832D OR HBL7810D								

LIST OF PARTS

DESCRIPTION	MATERIAL	FINISH
BOX FRAME	STEEL	GALVANIZED
GROUND SCREW	STEEL	GREEN
SWITCH ASS'Y	30A DISC	2POLE OR 3POLE
SW MTG SCREW (2)	STEEL	ZINC PL
BOX COVER	THERMOPLASTIC	BLACK
COVER MTG SCREW (2)	STEEL	NICKEL PL

DIMENSION SHEET FOR CAT. NO.

SEE CHART

REPAIRABLE NON-REPAIRABLE

B

M-9373

1

1 DCN11626 INITIAL RELEASE SM 4-14-04
 SYM REVISIONS APP DATE

THE DESIGN AND DIMENSIONS OF THE PRODUCT SHOWN ON THIS DRAWING ARE SUBJECT TO CHANGE WITHOUT NOTICE

TITLE MOTOR DISC SWITCH IN NEMA 1 PLASTIC ENCL CUSTOMER DRAWING

TOLERANCES UNLESS OTHERWISE SPECIFIED
 FRACTIONS ± 1/64
 DECIMALS ± .005
 ANGLES ± 2°

WIRING DEVICE-KELLEMS HUBBELL INCORPORATED BRIDGEPORT, CT

DR. BY	PAC	APP. BY
TR. BY		SCALE NONE
CHK'D BY		DATE 4-12-04