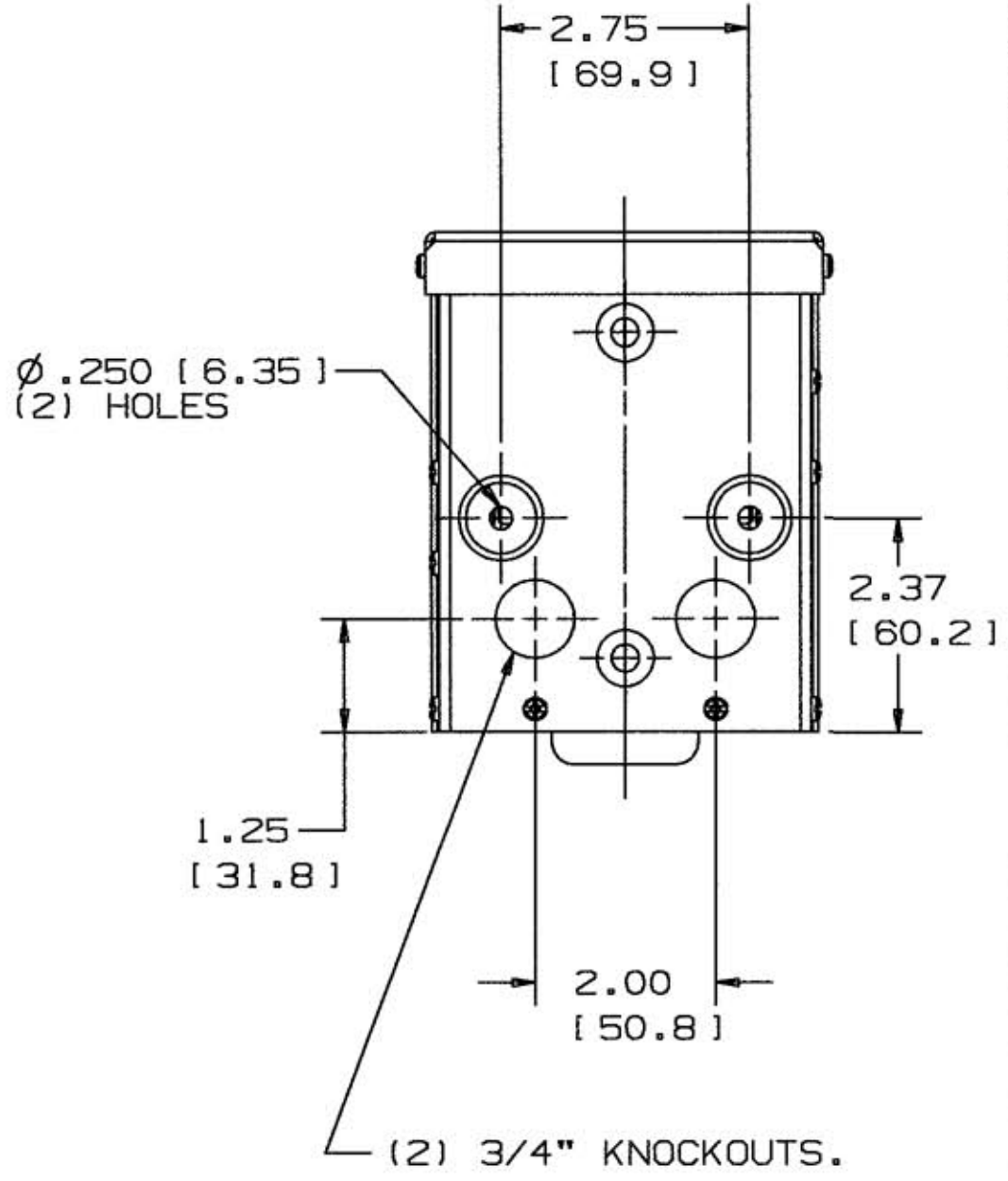
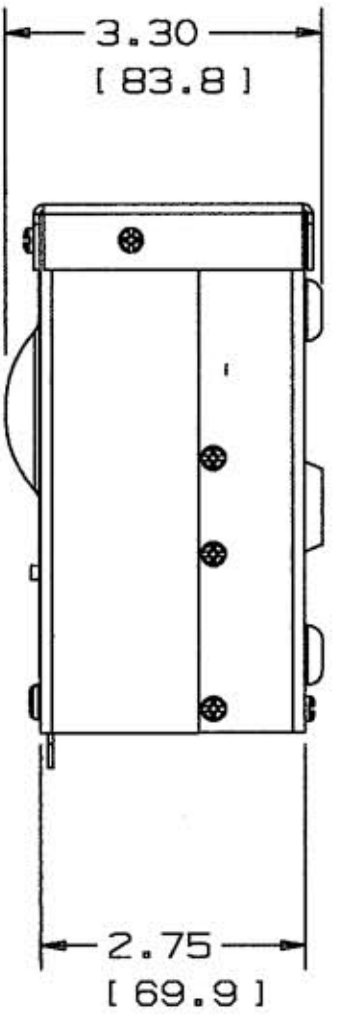
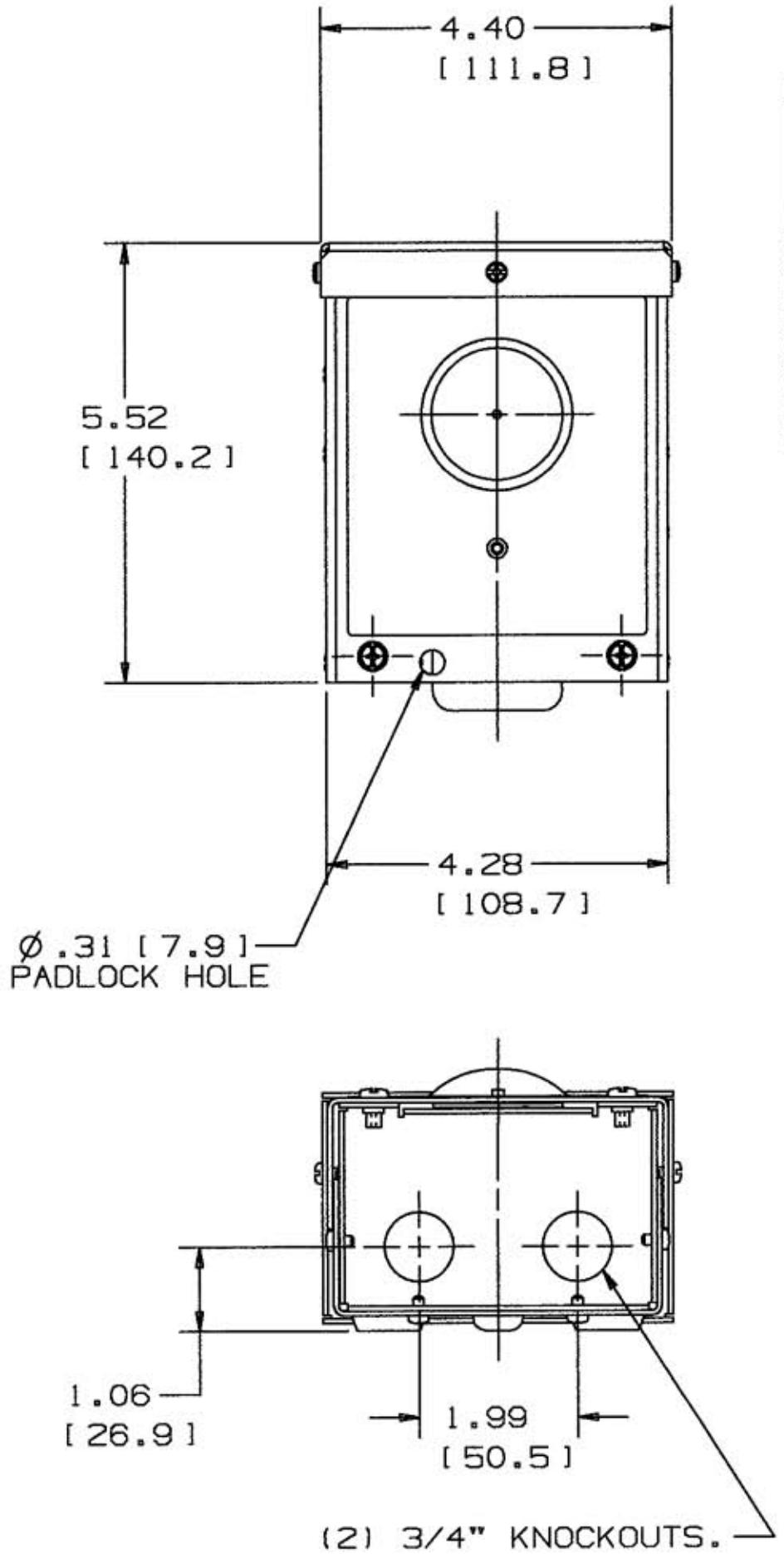


M-9293 1



DIM'S. IN INCHES [MM].

CATALOG NO.	PHASE	GENERAL RATING	H.P. RATINGS				TERM. MAX. CAP. & WIRE INFO.	INSUL. STRIP IN. [MM]	TERMINAL TORQUE LB. IN. [Nm]			
			120V AC	240V AC	480V AC	600V AC						
HBL13R92D	1 ϕ	30A 600VAC	2	5	10	15	#10 AWG CU ONLY	5/8 [16]	20 [2.4]			
HBL13R92DX			2	5	10	15						
HBL13R89D	3 ϕ		3	7.5	15	20						
HBL13R89DX			3	7.5	15	20						
HBL13R90			EMPTY ENCLOSURE TO BE USED WITH HBL7832D OR HBL7810D									

LIST OF PARTS		
DESCRIPTION	MATERIAL	FINISH
ENCLOSURE	ALUMINUM	
SW BASE & COVER	THERMOSET	BLACK
SW HANDLE	THERMOPLASTIC	BLACK
SW BRIDGE	STEEL	ZINC
SW TERMINALS	COPPER ALLOY	
SW BACK WIRE PLATES	COPPER ALLOY	
SW TERMINAL SCREWS	COPPER ALLOY	

DIMENSION SHEET FOR CAT. NO.

SEE CHART

REPAIRABLE

NON-REPAIRABLE

B

M-9293

1

1 DCN11626 INITIAL RELEASE <i>SM</i> 4-14-04			
SYM	REVISIONS	APP	DATE

THE DESIGN AND DIMENSIONS OF THE PRODUCT SHOWN ON THIS DRAWING ARE SUBJECT TO CHANGE WITHOUT NOTICE

TITLE
NEMA 3R ENCLOSURE
HUBBELL CUSTOMER DRAWING

TOLERANCES UNLESS OTHERWISE SPECIFIED FRACTIONS $\pm 1/64$ DECIMALS $\pm .005$ ANGLES $\pm 2^\circ$	WIRING DEVICE-KELLEMS HUBBELL INCORPORATED BRIDGEPORT, CT		
	DR. BY	PAC	APP. BY
	TR. BY		SCALE NONE
	CHK'D BY		DATE 2-17-04