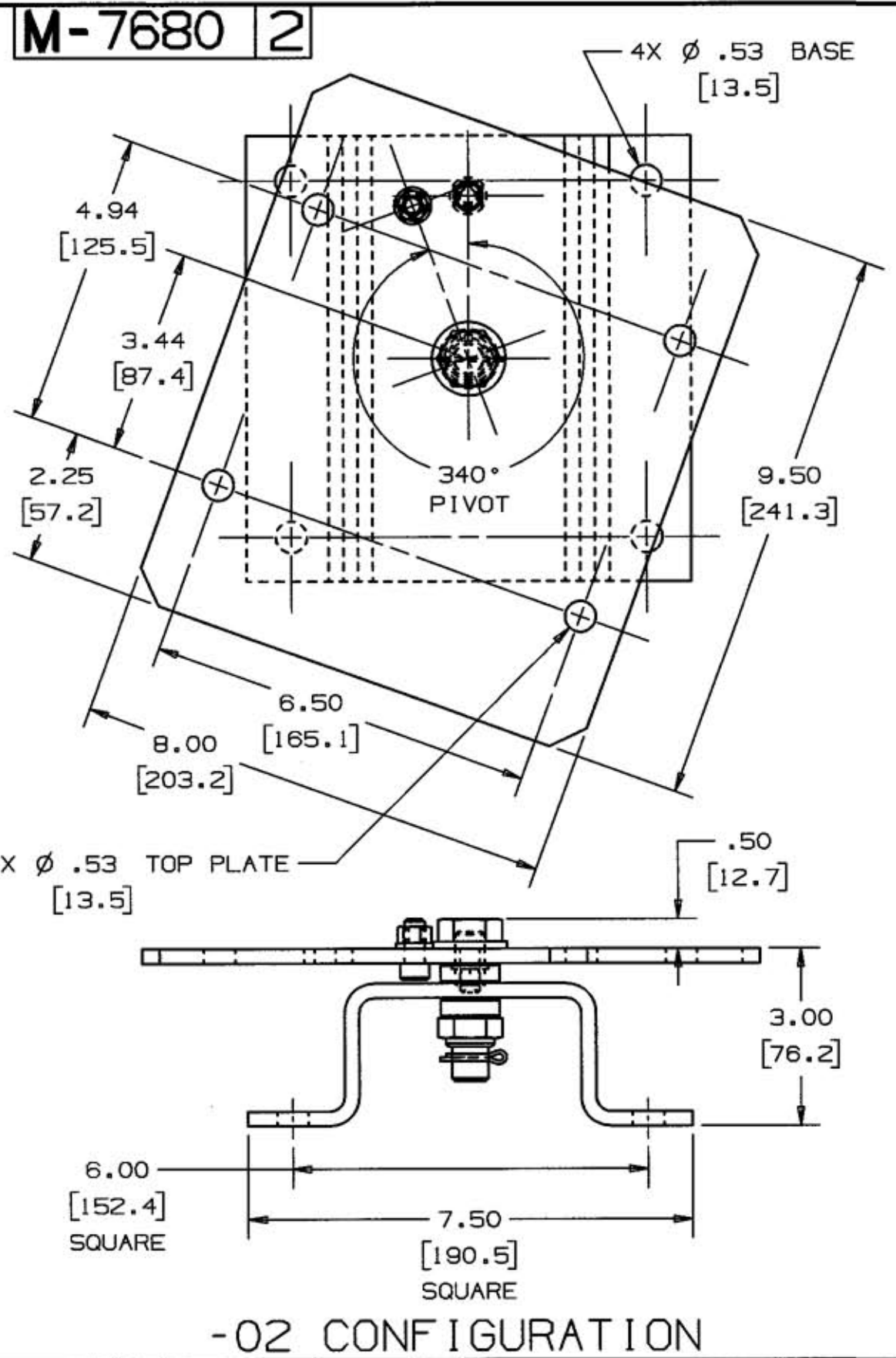


-01 CONFIGURATION

NOTE: INCHES [mm]

CODE 74545



-02 CONFIGURATION

PIVOT BASE P/N	CATALOG NUMBER	APPROX. WEIGHT	DESCRIPTION
-01	HBL14PB	5 LBS.	PIVOT BASE FOR 14" WEATHERPROOF CABLE REEL
-02	HBL16PB	13 LBS.	PIVOT BASE FOR 16" WEATHERPROOF CABLE REEL

LIST OF PARTS		
DESCRIPTION	MATERIAL	FINISH
BASE & TOP PLATE	STEEL	YELLOW
HARDWARE	STEEL	ZINC PLATE

REV	DESCRIPTION	APP	DATE
2	12/04/01 ADDED METERIC VALUES TO ALL DIMS. PER DCN 8696 SPN	TCM	12/04/01
1	RELEASED PER DCN4599		10-10-96

THE DESIGN AND DIMENSIONS OF THE PRODUCT SHOWN ON THIS DRAWING ARE SUBJECT TO CHANGE WITHOUT NOTICE

TITLE PIVOT BASES

TOLERANCES UNLESS OTHERWISE SPECIFIED		WIRING DEVICE DIVISION HUBBELL, INCORPORATED BRIDGEPORT, CT	
FRACTIONS ± 1/64	DECIMALS ± .005	DR. BY S.R.E.	APP. BY JNC
ANGLES ± 2°		TR. BY	SCALE 1/2
		CHK'D BY	DATE

DIMENSION SHEET FOR CAT. NO. SEE TABLE

REPAIRABLE NON-REPAIRABLE

B M-7680

2