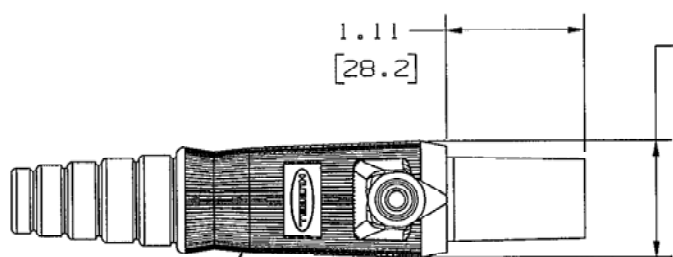
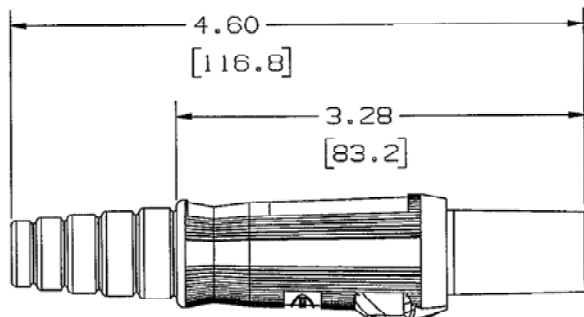
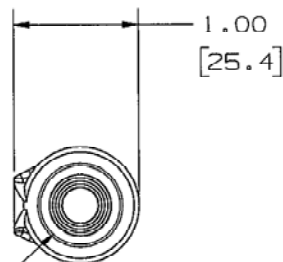


M-9727 2



FEMALE PLUG BODY

SLEEVE  
NOT VISIBLE



NOTES: UNLESS OTHERWISE SPECIFIED

1. DIMENSIONS ARE IN INCHES  $\pm .02$   
[mm]  $\pm .5$
2. CABLE SIZE: #8 AWG - #2 AWG, COPPER ONLY
3. CABLE OUTSIDE DIAMETER RANGE .300-.570  
[.76-14.5]

CATALOG NO	COLOR
HBL15FBK	BLACK
HBL15FBW	WHITE
HBL15FBGN	GREEN
HBL15FBR	RED
HBL15FBBL	BLUE

LIST OF PARTS		
DESCRIPTION	MATERIAL	FINISH
FEMALE PLUG BODY	TPE	SEE TABLE
SLEEVE	NYLON	BLACK

DIMENSION SHEET FOR CMT. NO. SEE TABLE

REPAIRABLE  NON-REPAIRABLE

2	UPDATE PER DCN 20025 CAC	CAC	08/14/13
1	RELEASED PER DCN 12793 PJT	TWB	12/16/05
SYM	REVISIONS	APP	DATE

THE DESIGN AND DIMENSIONS OF THE PRODUCT SHOWN ON THIS DRAWING ARE SUBJECT TO CHANGE WITHOUT NOTICE

TITLE  
SINGLE POLE  
FEMALE PLUG BODY

TOLERANCES UNLESS OTHERWISE SPECIFIED	WIRING DEVICE-KELLEMS HUBBELL INCORPORATED SHELTON, CT	
.XX = $\pm .01$	DR. BY PJT	APP. BY TWB
.XXX = $\pm .005$	TR. BY	SCALE 1:1
ANGLES = $\pm 2^\circ$	CHK. BY	DATE 12/16/05

B M-9727 2