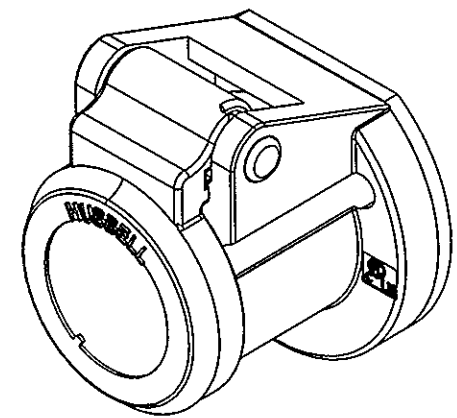
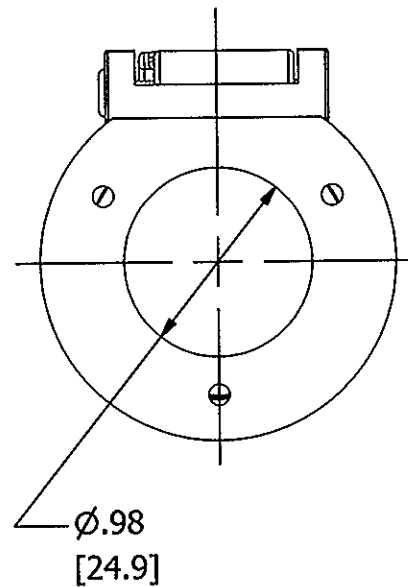
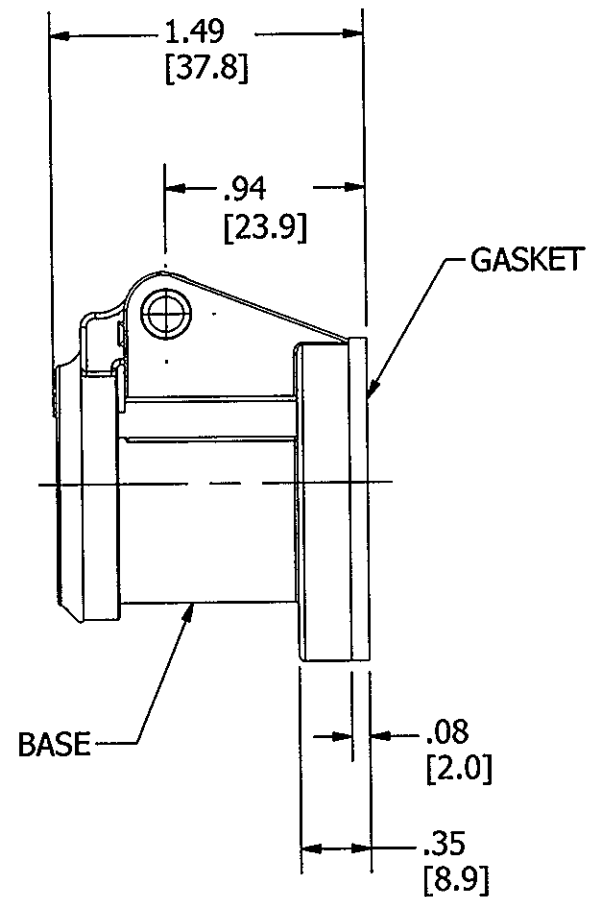
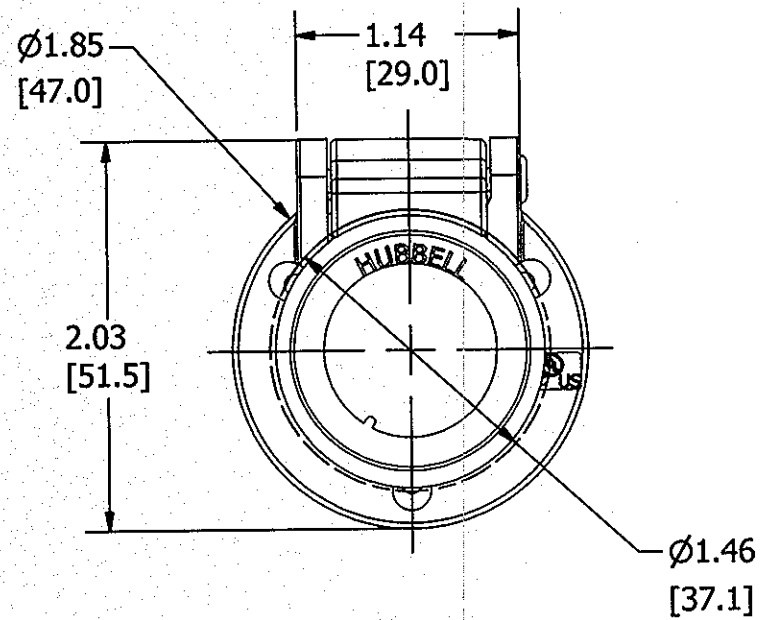


M-9744 3



**CATALOG NO: HBL15NCBK  
(NOT SHOWN TO SCALE)**

3	REDRAWN WITH EMBEDDED CAD MODEL WITH NO CHANGES TO PART GEOMETRY. PER DCN 21895 SPN	DJP	2/5/16
REV	DESCRIPTION	APP	DATE

THE DESIGN AND DIMENSIONS OF THE PRODUCT SHOWN ON THIS DRAWING ARE SUBJECT TO CHANGE WITHOUT NOTICE

TITLE  
WEATHERPROOF COVER SINGLE POLE  
150A SERIES 15

TOLERANCES UNLESS OTHERWISE SPECIFIED	WIRING DEVICE-KELLEMS HUBBELL INCORPORATED SHELTON, CT	
.XX = ± .01	DR. BY PJT	APP. BY
.XXX = ± .005	TR. BY	SCALE
ANGLES = ± 2'	CHK. BY	DATE 1/11/06

CATALOG NO.	COLOR
HBL15NCBK	BLACK
HBL15NCW	WHITE
HBL15NCG	GREEN
HBL15NCBL	BLUE
HBL15NCR	RED

**NOTES:**

- DIMENSIONS ARE IN INCHES ± .02  
mm] ± .5
- UL/c-UL ENCLOSURE TYPES 3R,  
SEE INSTRUCTION SHEET.

CODE 74545

DIMENSION SHEET FOR CAT. NO. M-9744  
 REPAIRABLE  NON-REPAIRABLE   
 SEE TABLE  
 B  
 3