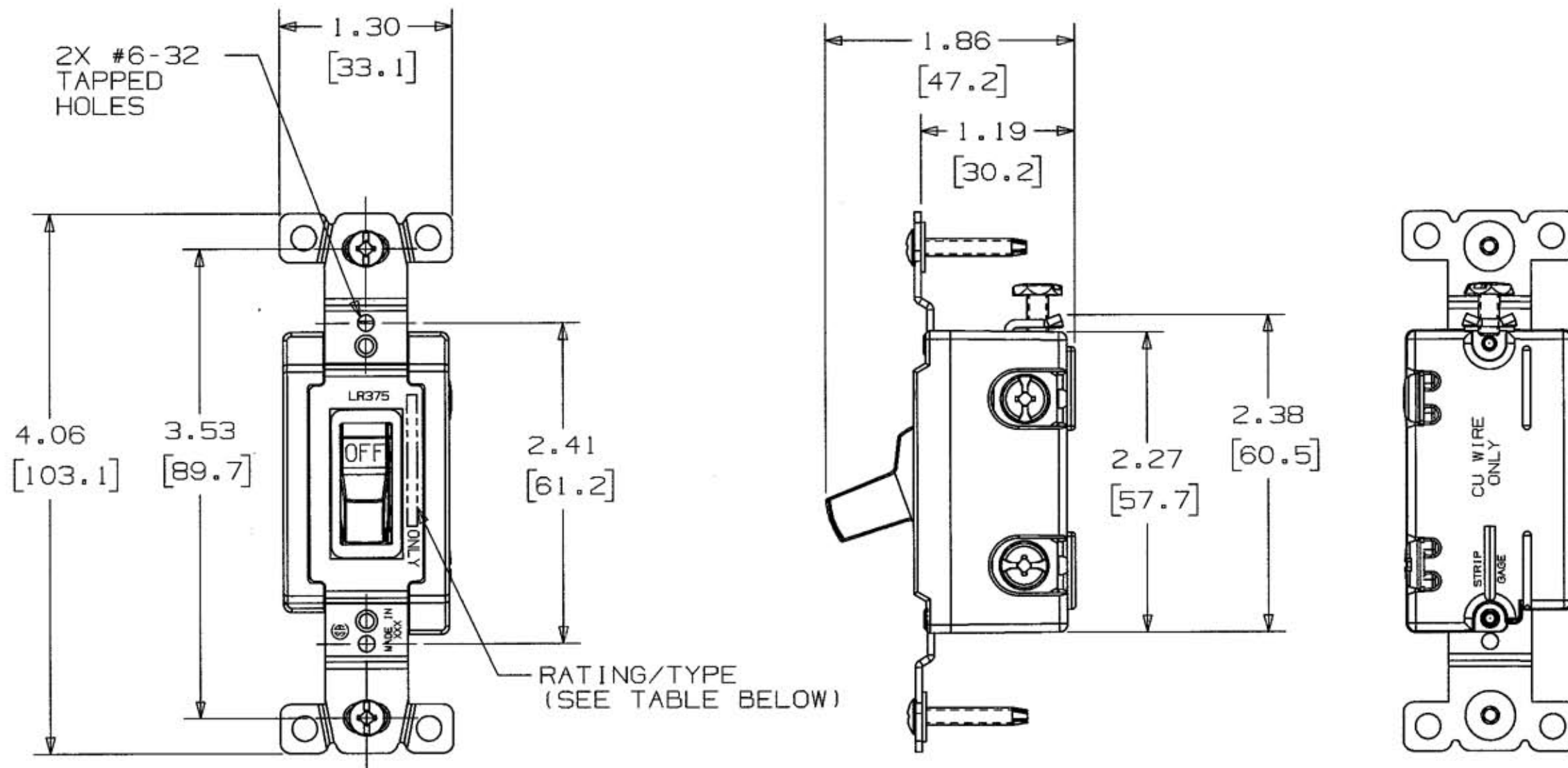


M-10766 1

(SINGLE POLE RECEPTACLE SHOWN)



LIST OF PARTS		
DESCRIPTION	MATERIAL	FINISH
HOUSING	THERMOSET	
COVER	THERMOSET	
TOGGLE	THERMOPLASTIC	
STATIONARY TERMINAL	BRASS	
SPRING ARM TERMINAL	BRASS	
WIRE CLAMP	STEEL	TIN PLATE
BRIDGE	STEEL	BRASS PLATE
CONTACTS	SILVER ALLOY	
BINDING SCREWS	BRASS	
MOUNTING SCREWS	STEEL	ZINC PLATE

DIMENSION SHEET FOR CAT. NO. SEE TABLE

REPAIRABLE NON-REPAIRABLE

B

M-10766

1

CATALOG NO.	RATING/TYPE
HBL18201CN	15A, 347V AC
HBL182011CN	15A, 347V AC
HBL18203CN	15A, 347V AC
HBL182031CN	15A, 347V AC
HBL182041CN	15A, 347V AC
HBL18221CN	20A, 347V AC
HBL182211CN	20A, 347V AC
HBL18223CN	20A, 347V AC
HBL182231CN	20A, 347V AC

NOTES: (UNLESS OTHERWISE SPECIFIED)
 1. DIMENSIONS ARE: INCHES [MM]
 2. XX TOLERANCE TO BE ±.03 [0.76]
 3. ALL PARTS LISTED IN TABLE ARE CSA CERTIFIED.

1	RELEASED PER DCN 14204	SM	8/27/07
SYM	REVISIONS	APP	DATE

THE DESIGN AND DIMENSIONS OF THE PRODUCT SHOWN ON THIS DRAWING ARE SUBJECT TO CHANGE WITHOUT NOTICE

TITLE
 FLUSH A.C. TOGGLE SWITCH

TOLERANCES UNLESS OTHERWISE SPECIFIED	WIRING DEVICE-KELLEMS HUBBELL INCORPORATED BRIDGEPORT, CT	
FRACTIONS ±1/64	DR. BY MSS	APP. BY SM
DECIMALS ±.005	TR. BY	SCALE 1:1
ANGLES ±2°	CHK'D BY SM	DATE 8/27/07