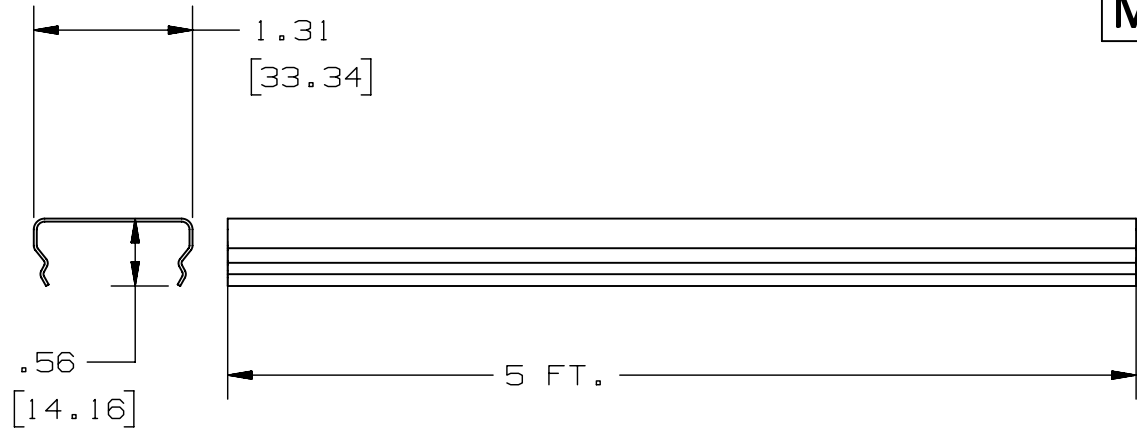


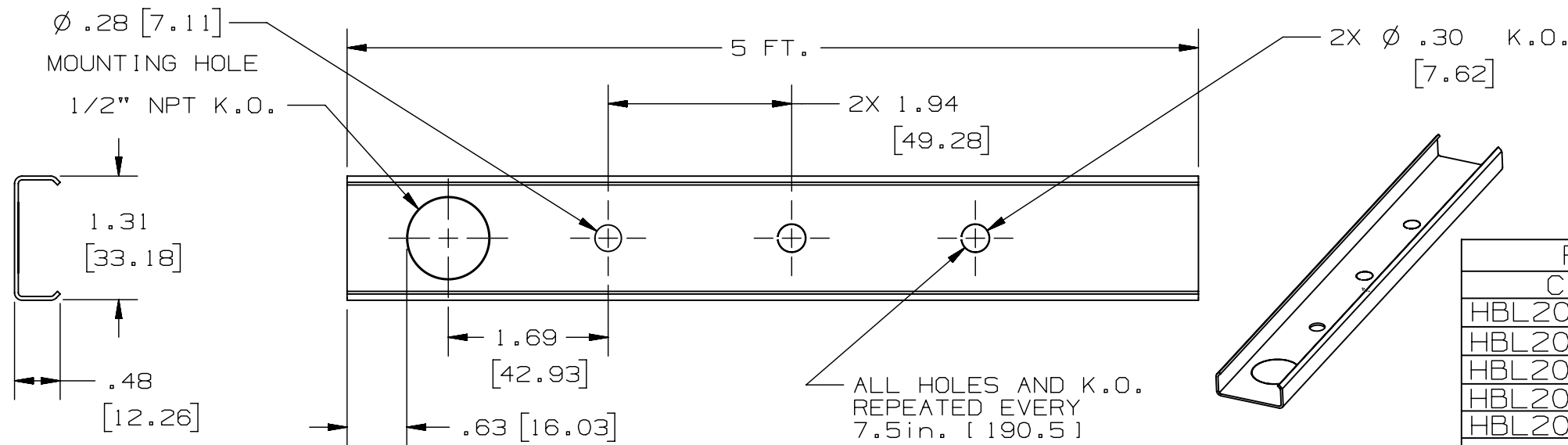
**M-10379** 4



RACEWAY COVER		
CAT. NO.	COLOR	THICKNESS
HBL2000BCIV	IVORY	.025 [ .63 ]
HBL2000BCGY	GRAY	.025 [ .63 ]
HBL2000ABCIV	IVORY	.040 [ 1.02 ]
HBL2000ABCGY	GRAY	.040 [ 1.02 ]
HBL2000CIV	IVORY	.025 [ .63 ]
HBL2000CGY	GRAY	.025 [ .63 ]
HBL2000CAIV	IVORY	.040 [ 1.02 ]
HBL2000CAGY	GRAY	.040 [ 1.02 ]

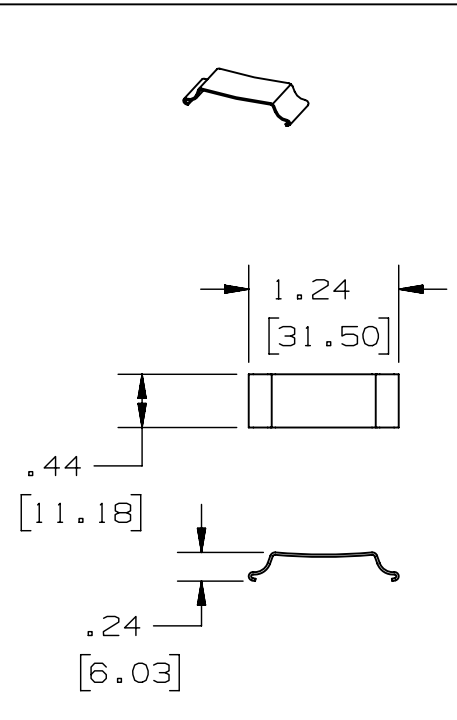
LIST OF PARTS		
DESCRIPTION	MATERIAL	FINISH
RACEWAY COVER	STEEL	PAINTED
RACEWAY BASE	STEEL	PAINTED
WIRE CLIP	STEEL	GALVANIZED
COUPLING	STEEL	GALVANIZED
COVER CLIP	STEEL	PAINTED
SUPPORTING CLIP	STEEL	GALVANIZED

DIMENSION SHEET FOR CAT. NO. M-10379 REPAIRABLE  NON-REPAIRABLE  SEE TABLE

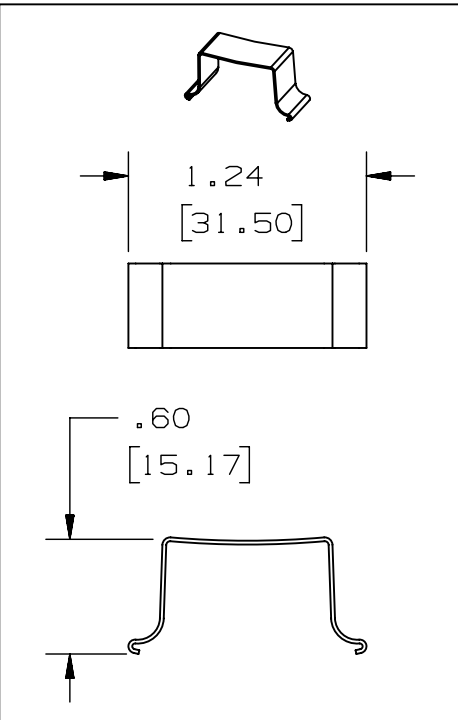


RACEWAY BASE	
CAT. NO.	COLOR
HBL2000BCIV	IVORY
HBL2000BCGY	GRAY
HBL2000BCAIV	IVORY
HBL2000BCAGY	GRAY
HBL2000B5IV	IVORY
HBL2000B5GY	GRAY

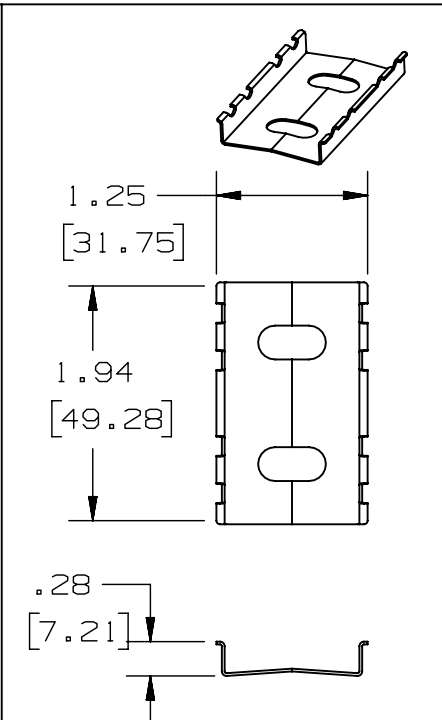
ALL HOLES AND K.O. REPEATED EVERY 7.5in. [190.5]



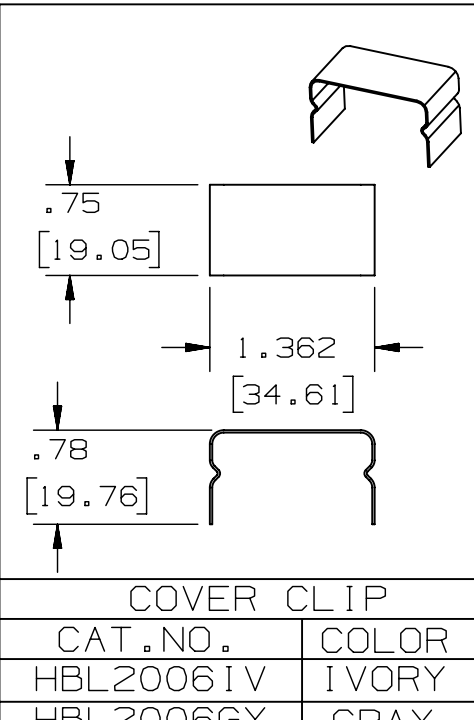
WIRE CLIP  
CAT.NO. HBL2000WC



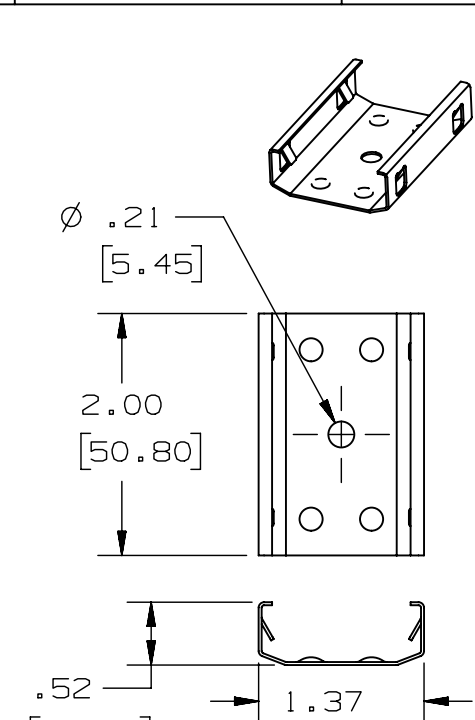
WIRE CLIP  
CAT.NO. HBL2000WCA



COUPLING  
CAT.NO. HBL2001C



COVER CLIP  
CAT.NO. HBL2006IV  
HBL2006GY  
HBL2006W  
HBL2006BK



SUPPORTING CLIP  
CAT.NO. HBL2003SC

SYM	REVISIONS	APP	DATE
4	ADDED 2006W & 2006BK. PER DCN#23036 EMD	EMD	4/18/17
3	UPDATED BASE AND COVER PER DCN21944.	AD	2/26/16
2	IN TITLE BLOCK ADDED HBL DCN13911 SRE	SRE	4/23/07
1	RELEASED PER DCN13549	SRE	11/14/06

THE DESIGN AND DIMENSIONS OF THE PRODUCT SHOWN ON THIS DRAWING ARE SUBJECT TO CHANGE WITHOUT NOTICE

TITLE RACEWAY & MISC. HBL2000 SERIES

TOLERANCES UNLESS OTHERWISE SPECIFIED		WIRING DEVICE-KELLEMS HUBBELL INCORPORATED BRIDGEPORT, CT	
FRACTIONS	± 1/64	DR. BY	SRE
DECIMALS	± .005	TR. BY	SRE
ANGLES	± 2°	APP. BY	SRE
		SCALE	1:1
		CHK'D BY	SRE
		DATE	11/14/06