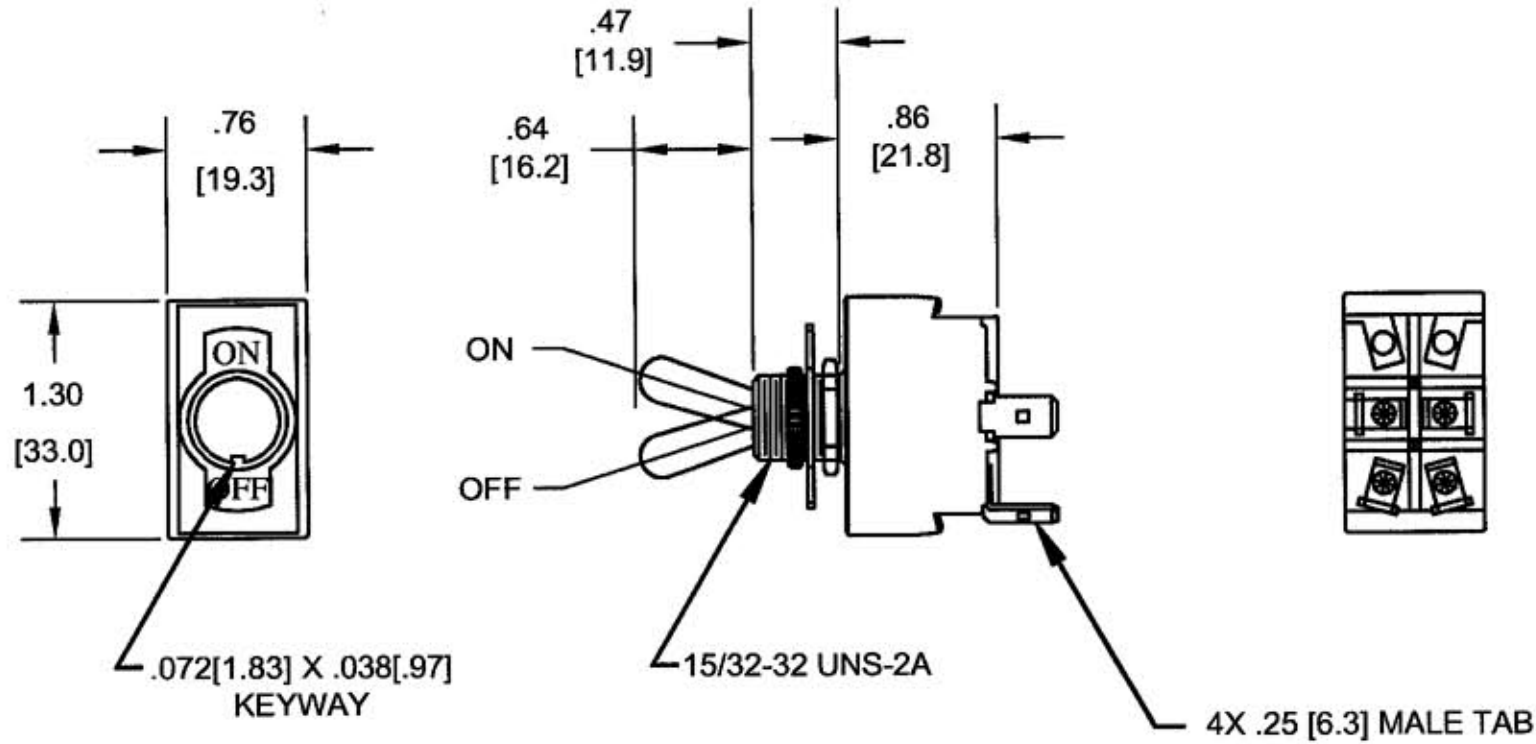
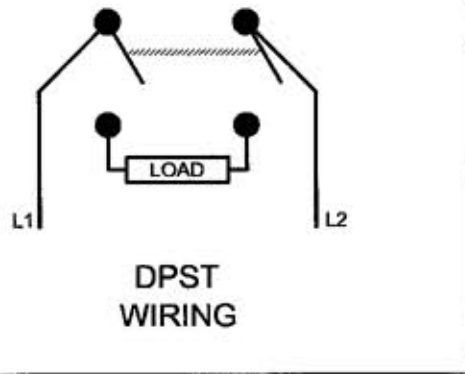
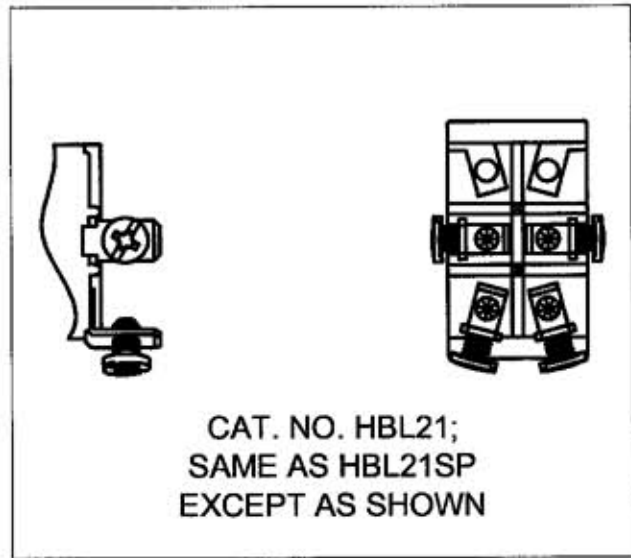


**M-10196 1**



**NOTES: (UNLESS OTHERWISE SPECIFIED):**

- 1) DIMENSIONS ARE: INCHES [MM]
- 2) SUPPLIED ASSEMBLED WITH: FACE PLATE, KNURL NUT AND HEX NUT.
- 3) RECOMMENDED PANEL MOUNT OPENING 0.50 [12.7].
- 4) RATING: 10 AMP, 277VAC  
20 AMP, 125VAC  
1-1/2 HP, 125-250



CATALOG NO.	TERMINAL TYPE	SWITCH DESCRIPTION
HBL21	SCREW, #6-32UNS-2B	DOUBLE POLE, SINGLE THROW
HBL21SP	SPADE, .250 MALE TAB NEMA	DOUBLE POLE, SINGLE THROW

DESCRIPTION	MATERIAL	FINISH

SYM	REVISIONS	APP	DATE
1	RELEASED FOR PRODUCTION PER DCN # 13193. JMN	JPP	8/2/06

THE DESIGN AND DIMENSIONS OF THE PRODUCT SHOWN ON THIS DRAWING ARE SUBJECT TO CHANGE WITHOUT NOTICE

TITLE TOGGLE SWITCH DOUBLE POLE, SINGLE THROW

TOLERANCES UNLESS OTHERWISE SPECIFIED FRACTIONS ±1/64 DECIMALS ±.005 ANGLES ±2°	WIRING DEVICE—KELLEMS HUBBELL INCORPORATED BRIDGEPORT, CT	
	DR. BY JMN	APP. BY JPP
	TR. BY	SCALE NONE
	CHK'D BY JPP	DATE 8/3/06

DIMENSION SHEET FOR CAT. NO. SEE TABLE  
 REPAIRABLE  NON-REPAIRABLE   
 B  
 M-10196  
 1