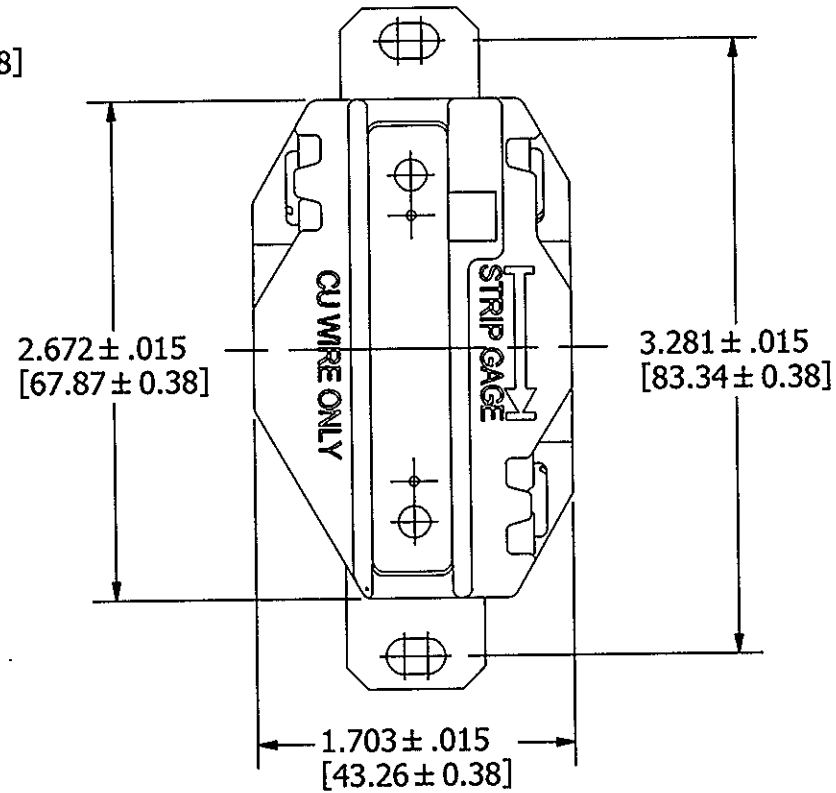
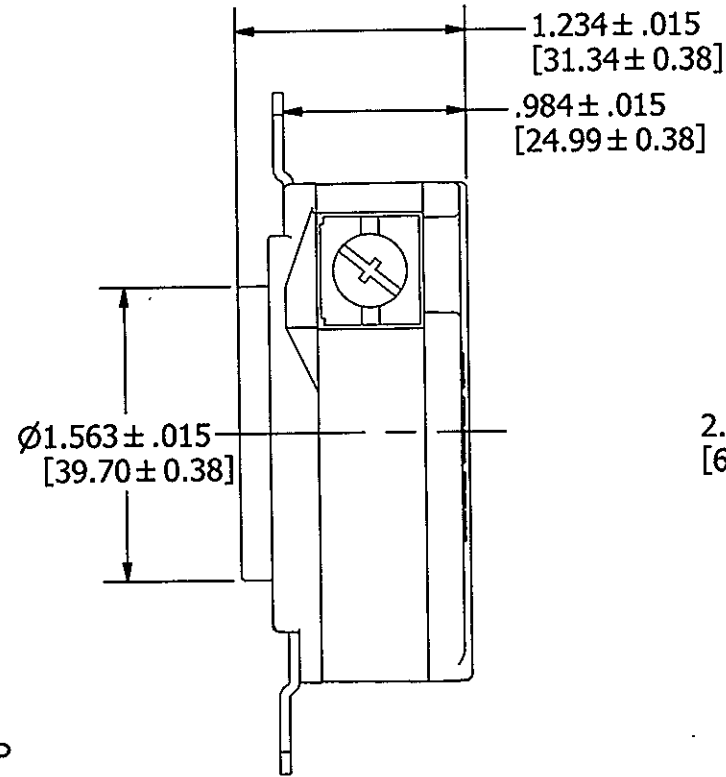
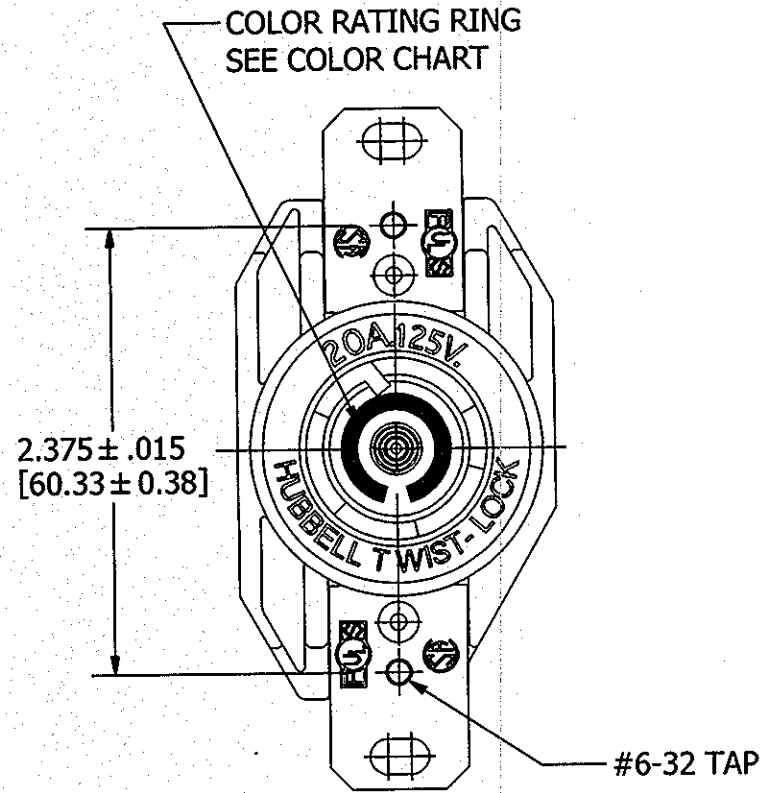
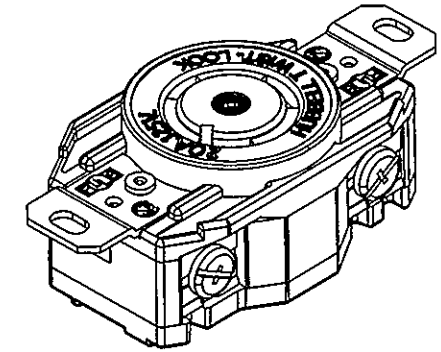


M-6469 10



LIST OF PARTS		
DESCRIPTION	MATERIAL	FINISH
BASE	POLYESTER	TAN
COVER	NYLON	
CONTACT SPRINGS	.040 BRASS	
CLAMP	.040 BRASS	
GR. SHUNT	.015 BRASS	
BINDING SCREWS	BRONZE	*
HEX. HD. BIND. SCREW	BRONZE	GREEN
BACK PLATE	.040 BRASS	
END PLATES	.050 BRASS	
RIVET	BRASS	



CATALOG NO. HBL2310
NOT SHOWN TO SCALE

CAT. NO. YELLOW COVER	CAT. NO. BLACK COVER	CONFIGURATION	RATING	RATING RING COLOR
HBL23CM10	HBL2310 HBL2310RT	NEMA L5-20R	20A 125V	YELLOW
HBL23CM20	HBL2320 HBL2320RT	NEMA L6-20R	20A 250V	BLUE
_____	HBL2330	NEMA L7-20R	20A 277V	GRAY
_____	HBL2340	NEMA L8-20R	20A 480V	RED
_____	HBL2350	NEMA L9-20R	20A 600V	_____
_____	HBL3720	NEMA L24-20R	20A 347V	BLACK

NOTES: (UNLESS OTHERWISE SPECIFIED)

- CATALOG NUMBERS WITH SUFFIX "RT" ARE CSA CERTIFIED AND UL RECOGNIZED FOR USE WITH RING TERMINALS OR SIDE WIRED.
- CONDUCTOR RANGE #14 AWG TO #8 AWG
- INCHES [mm]
- DEVICES WITH SUFFIX "RT" DO NOT HAVE WIRE GUIDES AND SCREWS ARE PACKED SEPARATELY IN POLYBAG.
- * WHITE FINISH ON NEUTRAL SCREW WHEN USED.
- ON CM DEVICES, BRASS PARTS ARE .0003 NICKEL PLATED + TIN.

10	REDRAWN WITH EMBEDDED CAD MODEL WITH NO CHANGES TO PART GEOMETRY. PER DCN 21895 SPN	DJP	2/5/16
REV	DESCRIPTION	APP	DATE

THE DESIGN AND DIMENSIONS OF THE PRODUCT SHOWN ON THIS DRAWING ARE SUBJECT TO CHANGE WITHOUT NOTICE

TITLE
20A. 2 POLE 3 WIRE TWIST-LOCK RECEPTACLES

TOLERANCES UNLESS OTHERWISE SPECIFIED .XX = ± .01 .XXX = ± .005 ANGLES = ± 2°	WIRING DEVICE-KELLEMS HUBBELL INCORPORATED SHELTON, CT	
	DR. BY ASM	APP. BY
	TR. BY	SCALE 1:1
	CHK. BY	DATE 10-11-85