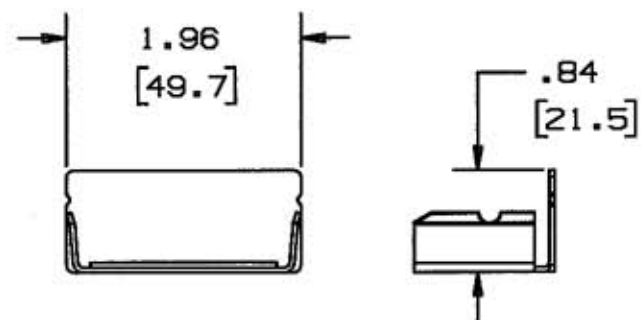
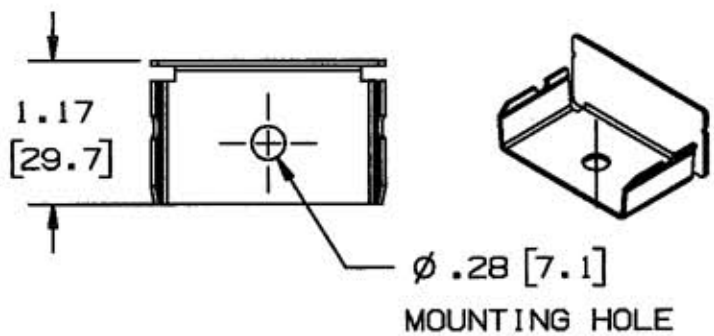
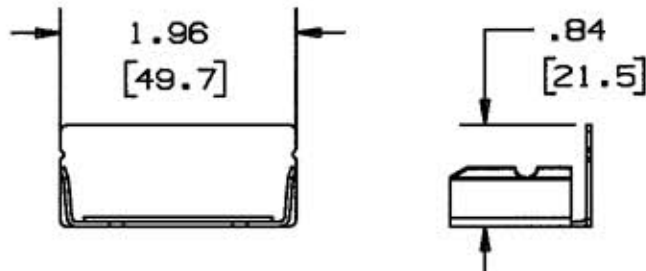
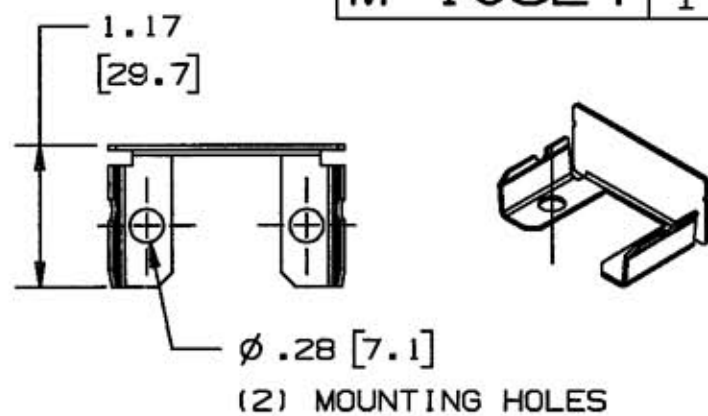


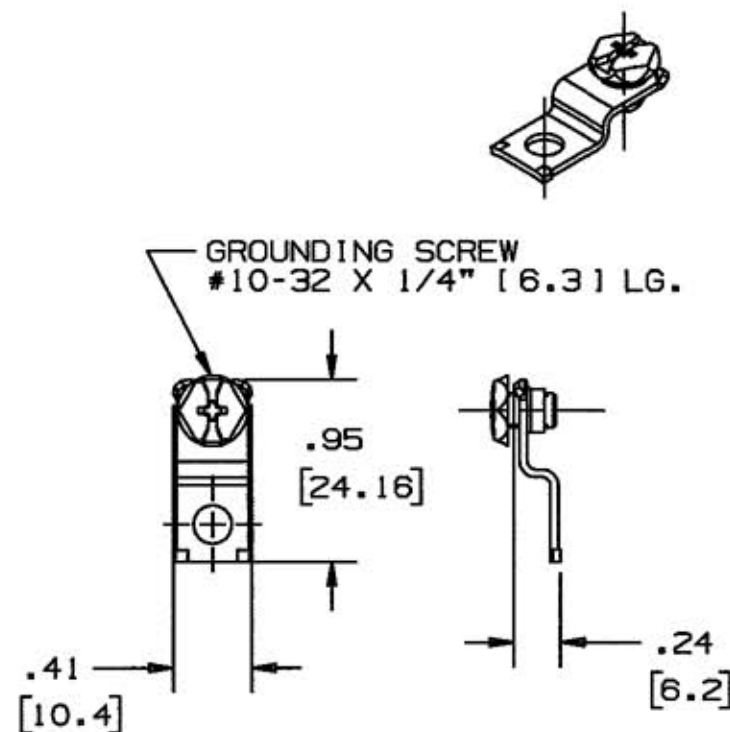
M-10324 1



BLANK END FITTING	
CAT.NO.	COLOR
HBL2410BIV	IVORY



DIVIDED BLANK END FITTING	
CAT.NO.	COLOR
HBL2410BDIV	IVORY

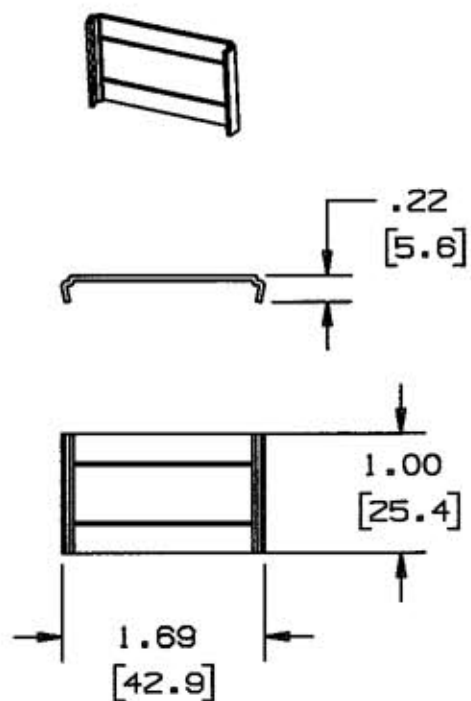


GROUND CLAMP	
CAT.NO.	COLOR
HBL2409GC	IVORY

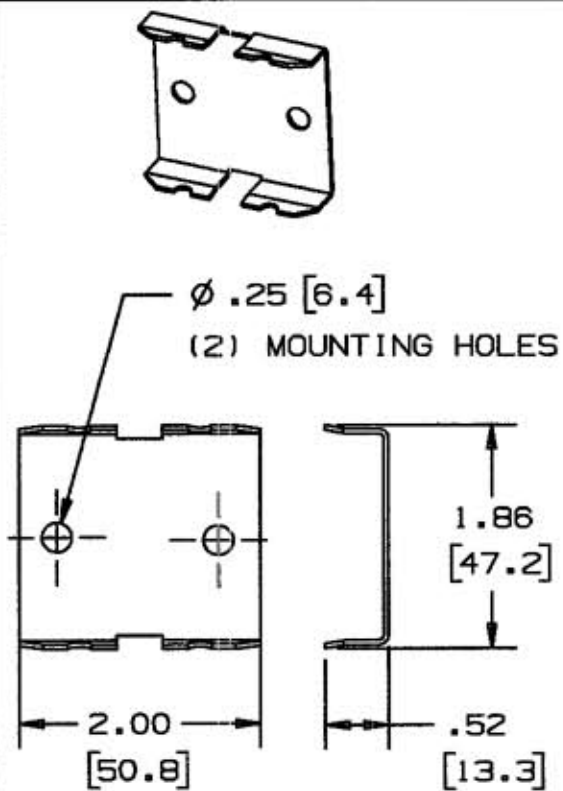
LIST OF PARTS

DESCRIPTION	MATERIAL	FINISH
BLANK END FITTINGS	STEEL	PAINTED
GROUND CLAMP	STEEL	GALVANIZED
WIRE CLIP	STEEL	GALVANIZED
COUPLINGS	STEEL	GALVANIZED
COVER CLIP	STEEL	PAINTED

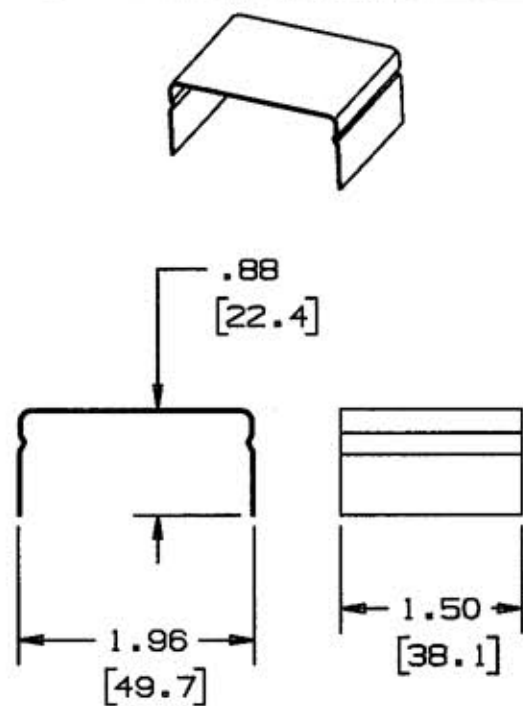
DIMENSION SHEET FOR CAT. NO. M-10324  
 REPAIRABLE  NON-REPAIRABLE



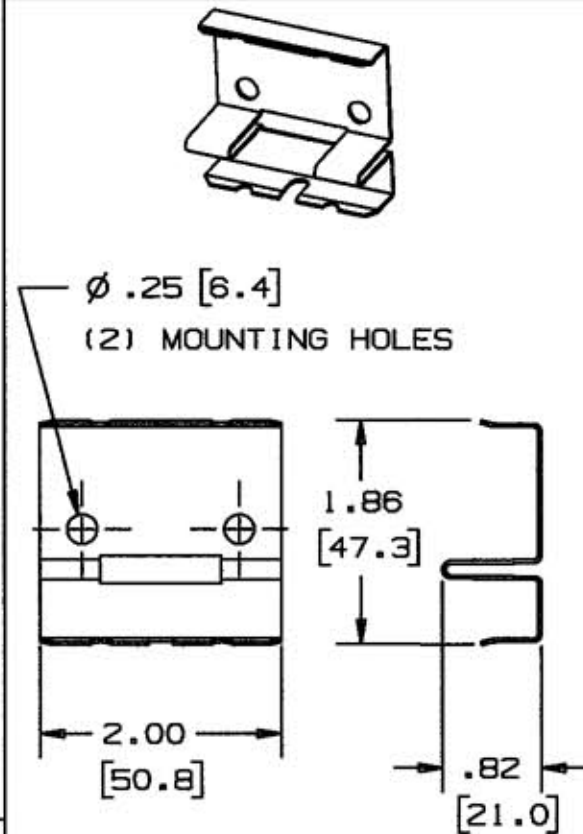
WIRE CLIP	
CAT.NO.	COLOR
HBL2400WC	



COUPLING	
CAT.NO.	COLOR
HBL2401C	



COVER CLIP	
CAT.NO.	COLOR
HBL2406IV	IVORY



DIVIDED COUPLING	
CAT.NO.	COLOR
HBL2401DC	

1	RELEASED PER DCN13354	SRE	2/15/07
SYM	REVISIONS	APP	DATE

THE DESIGN AND DIMENSIONS OF THE PRODUCT SHOWN ON THIS DRAWING ARE SUBJECT TO CHANGE WITHOUT NOTICE

TITLE MISCELLANEOUS FITTINGS  
HBL2400/HBL2400D SERIES

TOLERANCES UNLESS OTHERWISE SPECIFIED FRACTIONS ± 1/64 DECIMALS ± .005 ANGLES ± 2°	WIRING DEVICE-KELLEMS HUBBELL INCORPORATED BRIDGEPORT, CT	
	DR. BY SRE	APP. BY <i>[Signature]</i>
	TR. BY <i>[Signature]</i>	SCALE 1:1
	CHK'D BY <i>[Signature]</i>	DATE 2/15/07

NOTE: ALL DIMENSIONS IN INCHES AND [MM]