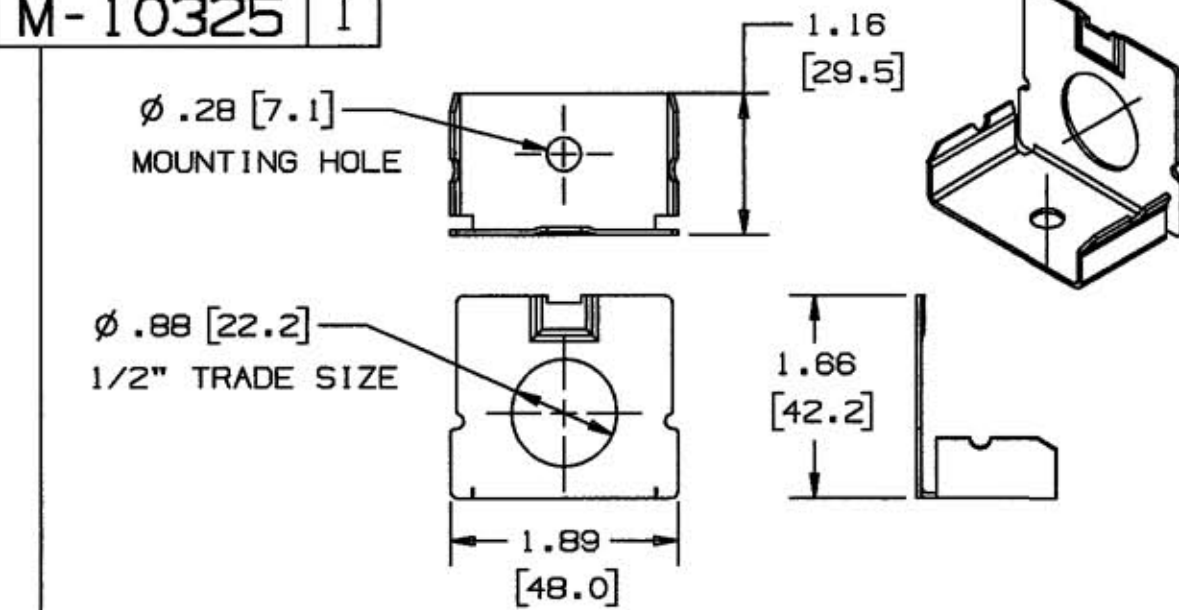
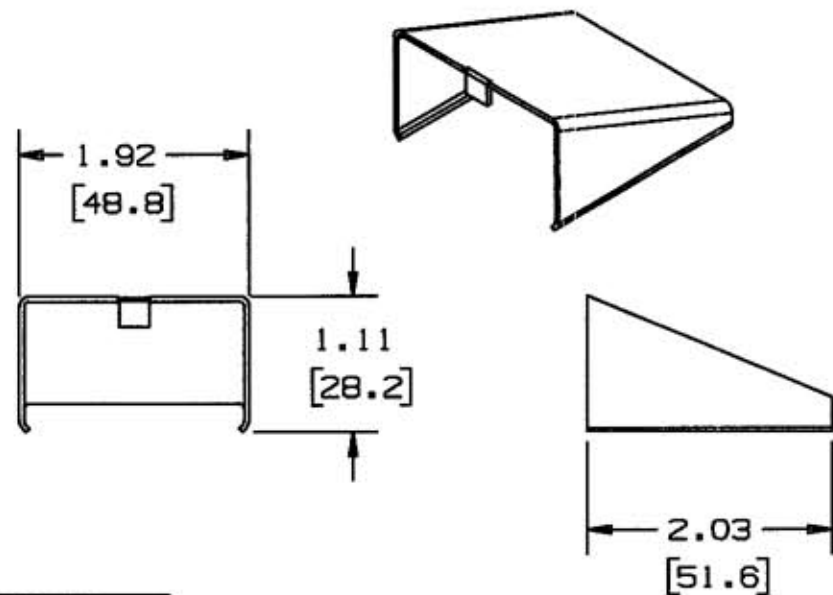


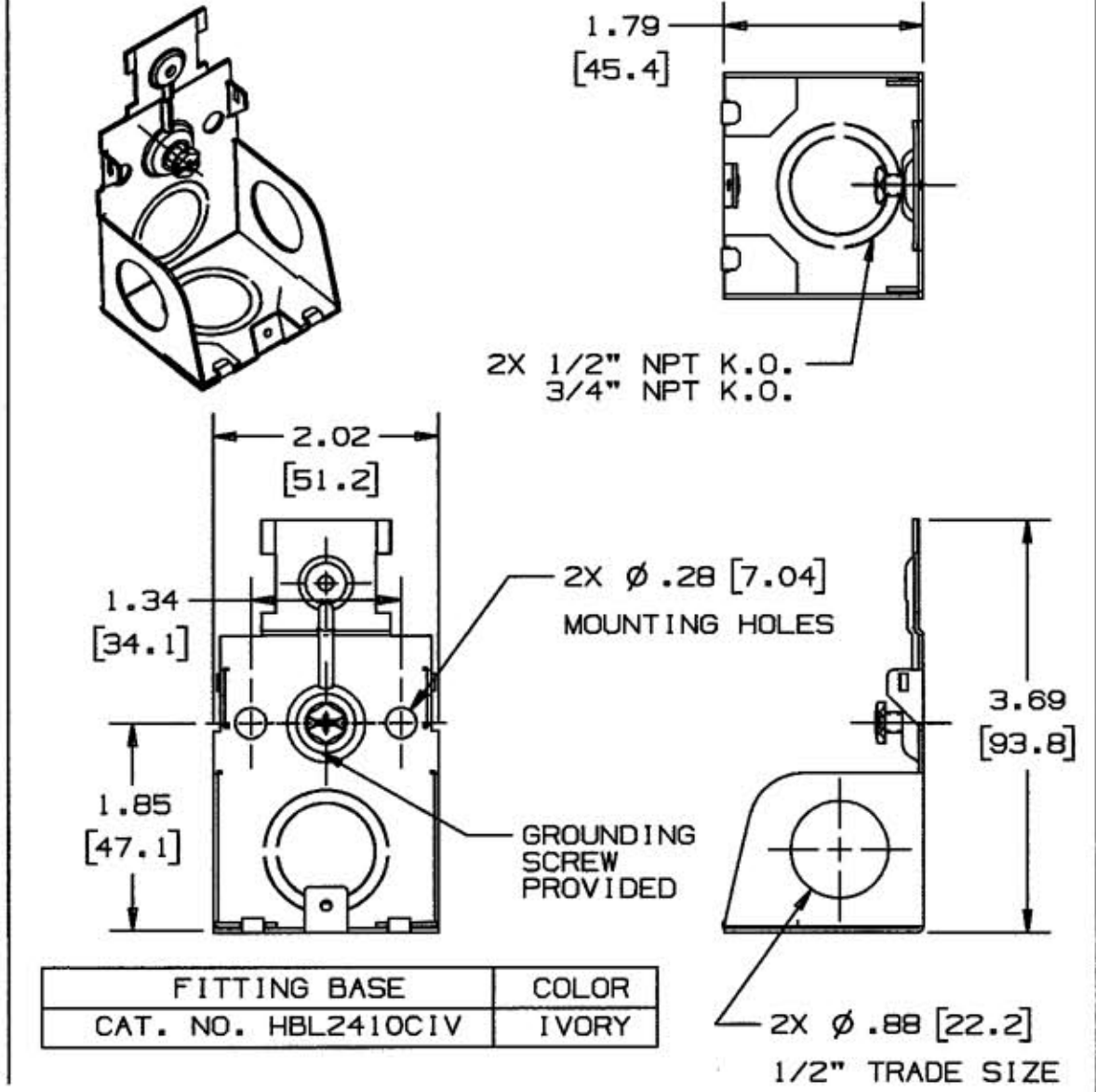
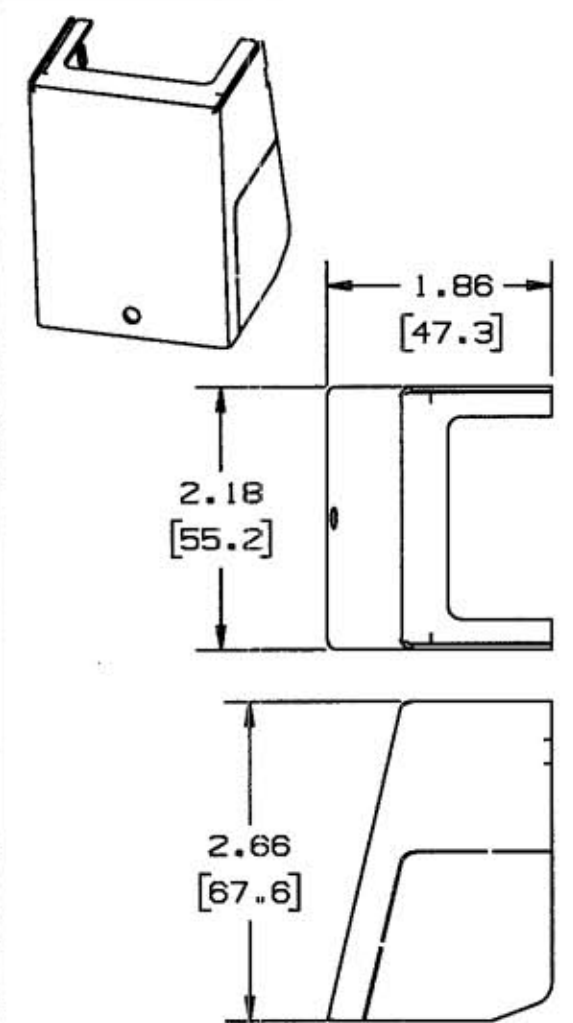
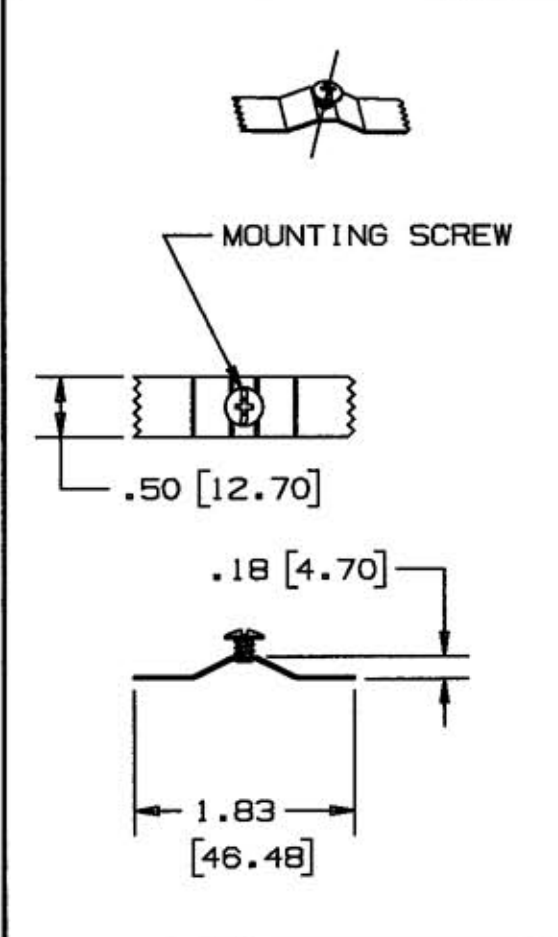
M-10325 1



LIST OF PARTS		
DESCRIPTION	MATERIAL	FINISH
FITTING COVER	STEEL	PAINTED
FITTING BASE	STEEL	PAINTED
SPRING CLIP	STEEL	GALVANIZED

FITTING COVER	
CAT. NO.	COLOR
HBL2410AIV	IVORY

FITTING BASE		COLOR
CAT. NO.	HBL2410AIV	IVORY



FITTING BASE		COLOR
CAT. NO.	HBL2410CIV	IVORY

FITTING COVER	
CAT. NO.	COLOR
HBL2410CIV	IVORY

NOTE: ALL DIMENSIONS IN INCHES AND [MM]

1	RELEASED PER DCN13354	SRE	2/15/07
SYM	REVISIONS	APP	DATE
THE DESIGN AND DIMENSIONS OF THE PRODUCT SHOWN ON THIS DRAWING ARE SUBJECT TO CHANGE WITHOUT NOTICE			
TITLE RACEWAY ENTRANCE FITTINGS, COVER & BASE HBL2400 & HBL2400D SERIES			
TOLERANCES UNLESS OTHERWISE SPECIFIED		WIRING DEVICE-KELLEMS HUBBELL INCORPORATED BRIDGEPORT, CT	
FRACTIONS ± 1/64	DR. BY SRE	APP. BY	
DECIMALS ± .005	TR. BY	SCALE 1:1	
ANGLES ± 2°	CHK'D BY	DATE 2/15/07	

DIMENSION SHEET FOR CAT. NO. M-10325
 REPAIRABLE NON-REPAIRABLE