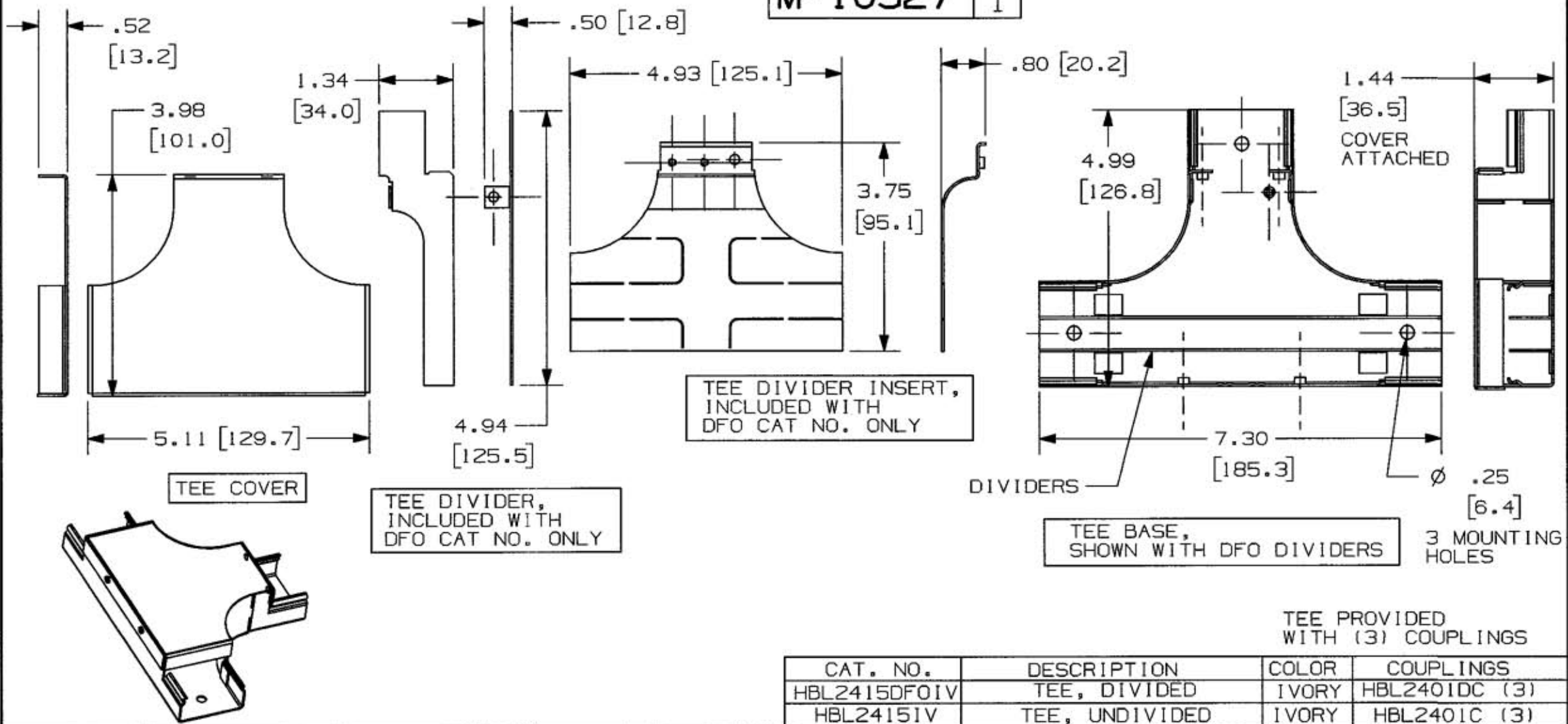
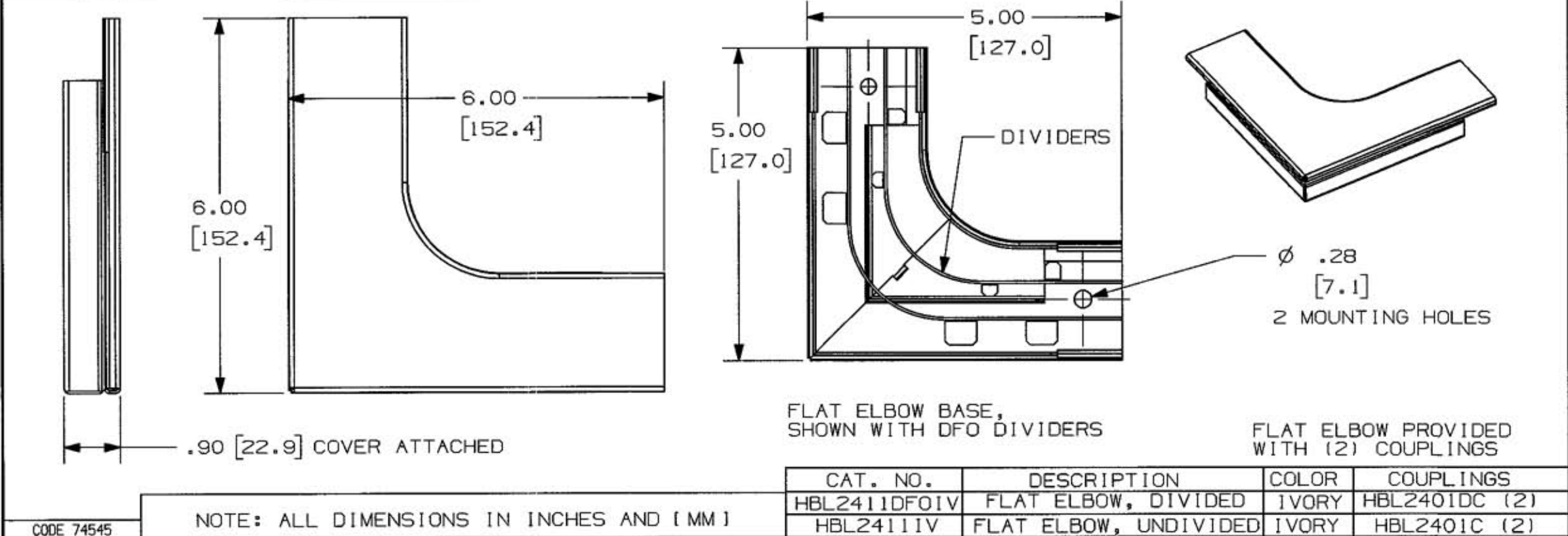


# M-10327 1



LIST OF PARTS		
DESCRIPTION	MATERIAL	FINISH
ELBOW COVER	STEEL	PAINTED
ELBOW BASE	STEEL	PAINTED
TEE COVER	STEEL	PAINTED
TEE BASE	STEEL	PAINTED
TEE DIVIDERS	STEEL	GALVANIZED

DIMENSION SHEET FOR CAT. NO. M-10327  
 SEE TABLE  
 REPAIRABLE  NON-REPAIRABLE   
 B  
 M-10327  
 1



REVISIONS

SYMBOL	REVISIONS	APP	DATE
1	RELEASED PER DCN13354	SRE	2/20/07

THE DESIGN AND DIMENSIONS OF THE PRODUCT SHOWN ON THIS DRAWING ARE SUBJECT TO CHANGE WITHOUT NOTICE

TITLE  
FLAT ELBOW & TEE  
HBL2400 & HBL2400D SERIES

TOLERANCES UNLESS OTHERWISE SPECIFIED	WIRING DEVICE-KELLEMS HUBBELL INCORPORATED BRIDGEPORT, CT	
FRACTIONS ± 1/64	DR. BY SRE	APP. BY <i>[Signature]</i>
DECIMALS ± .005	TR. BY <i>[Signature]</i>	SCALE 1:1
ANGLES ± 2°	CHK'D BY <i>[Signature]</i>	DATE 2/20/07