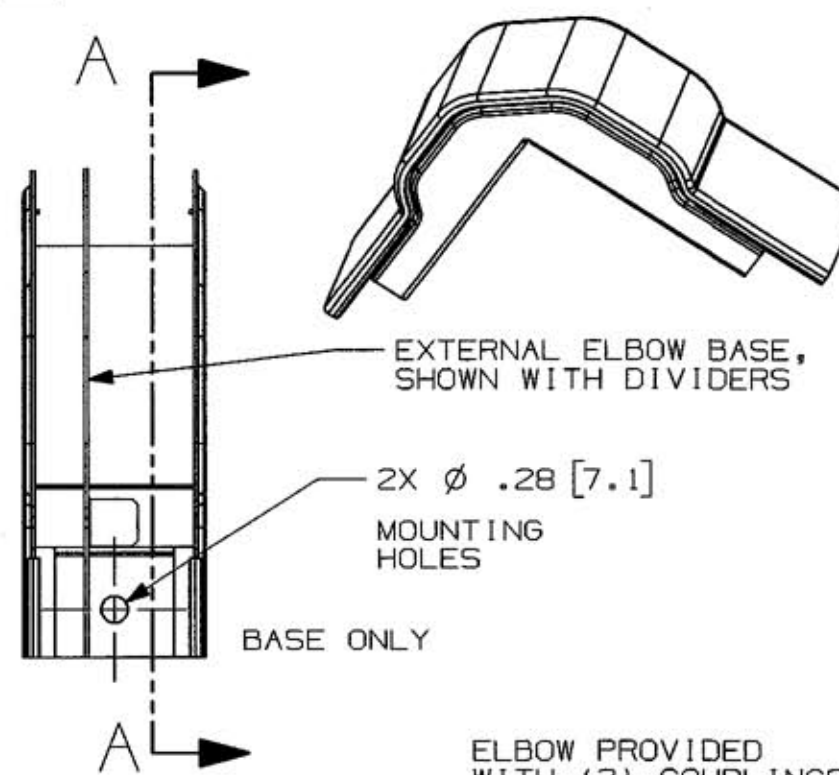
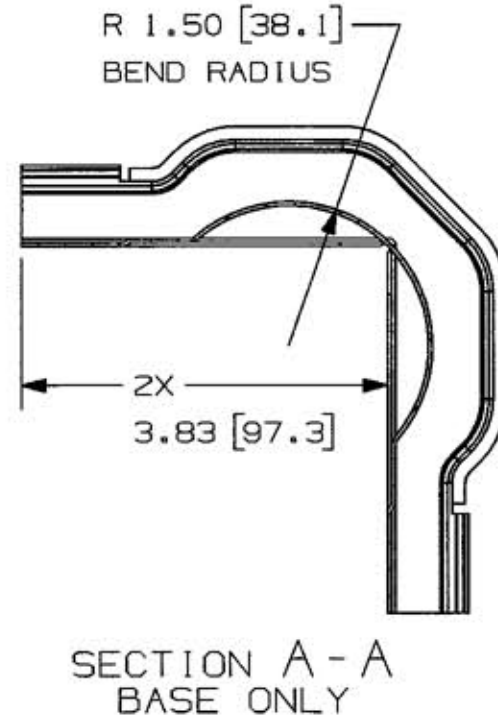
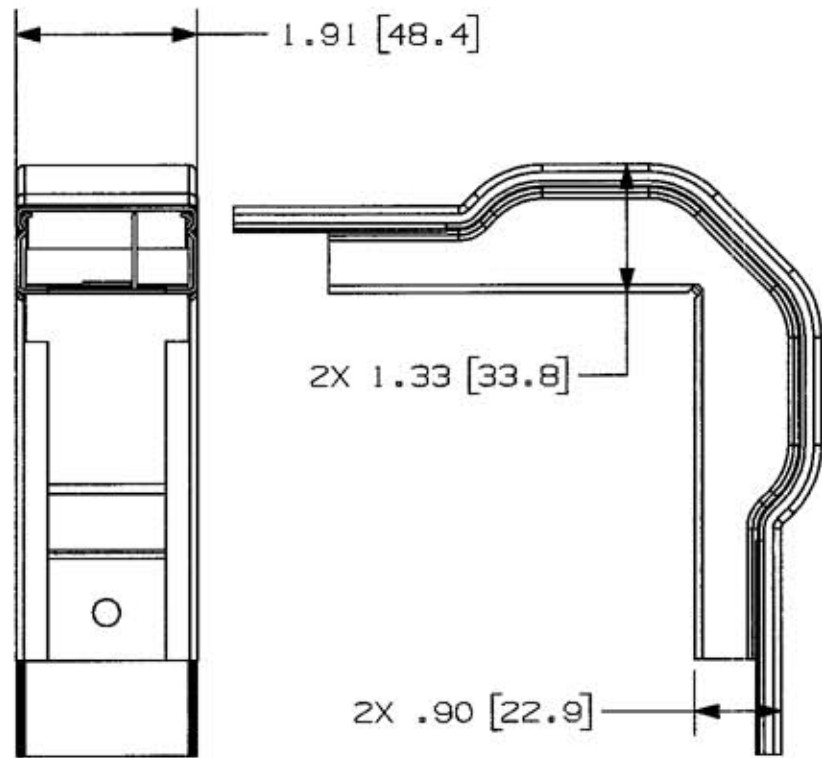
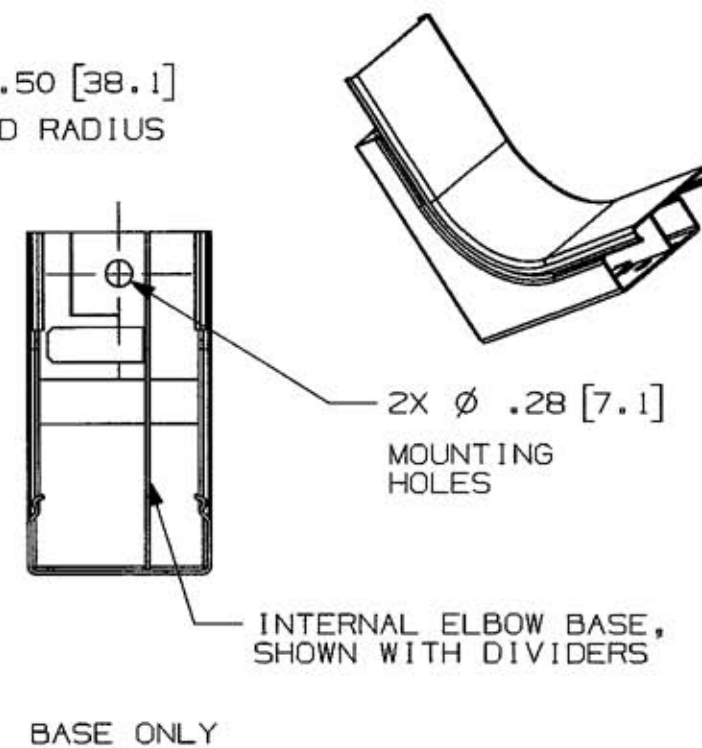
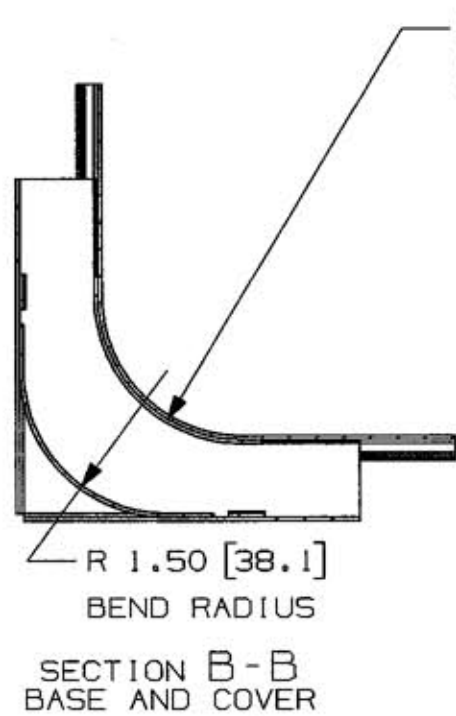
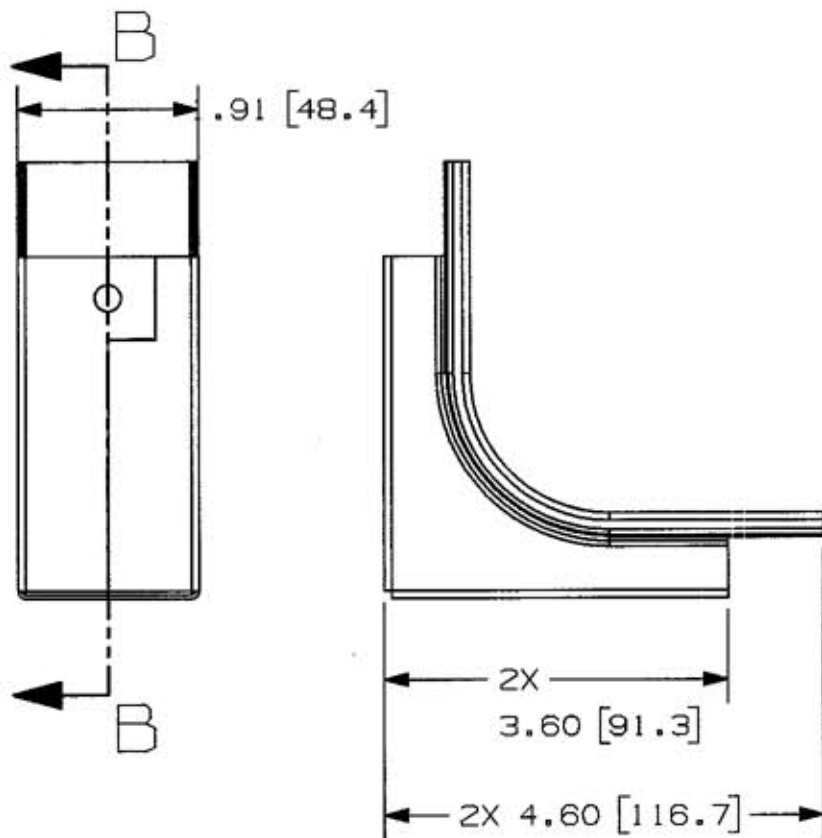


M-10328 | 1



CAT. NO.	DESCRIPTION	COLOR	COUPLINGS
HBL2418DFOIV	EXTERNAL ELBOW, DIVIDED	IVORY	HBL2401DC (2)
HBL2418IV	EXTERNAL ELBOW, UNDIVIDED	IVORY	HBL2401C (2)



CAT. NO.	DESCRIPTION	COLOR	COUPLINGS
HBL2417DFOIV	INTERNAL ELBOW, DIVIDED	IVORY	HBL2401DC (2)
HBL2417IV	INTERNAL ELBOW, UNDIVIDED	IVORY	HBL2401C (2)

NOTE: ALL DIMENSIONS IN INCHES AND [MM.]

LIST OF PARTS

DESCRIPTION	MATERIAL	FINISH
ELBOW COVER	STEEL	PAINTED
ELBOW BASE	STEEL	PAINTED

DIMENSION SHEET FOR CAT. NO.
SEE TABLE

REPAIRABLE NON-REPAIRABLE

1	RELEASED PER DCN13354	SRE	2/27/07
SYM	REVISIONS	APP	DATE

THE DESIGN AND DIMENSIONS OF THE PRODUCT SHOWN ON THIS DRAWING ARE SUBJECT TO CHANGE WITHOUT NOTICE

TITLE
EXTERNAL & INTERNAL ELBOWS
HBL2400 & HBL2400D SERIES

TOLERANCES UNLESS OTHERWISE SPECIFIED	WIRING DEVICE-KELLEMS HUBBELL INCORPORATED BRIDGEPORT, CT	
	FRACCTIONS ± 1/64	DR. BY SRE APP. BY SRE
	DECIMALS ± .005	TR. BY SCALE 1:1
ANGLES ± 2°	CHK'D BY SRE	DATE 2/27/07

B

M-10328

1