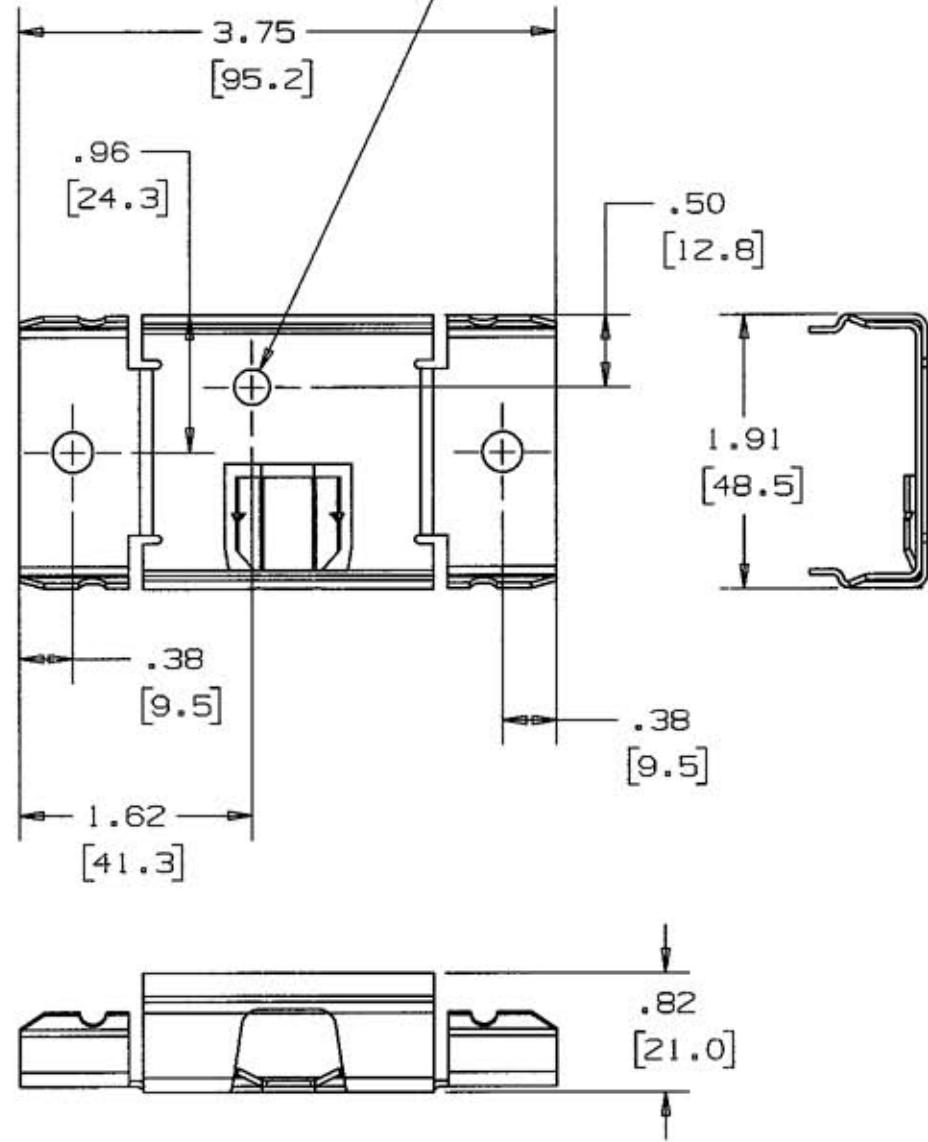
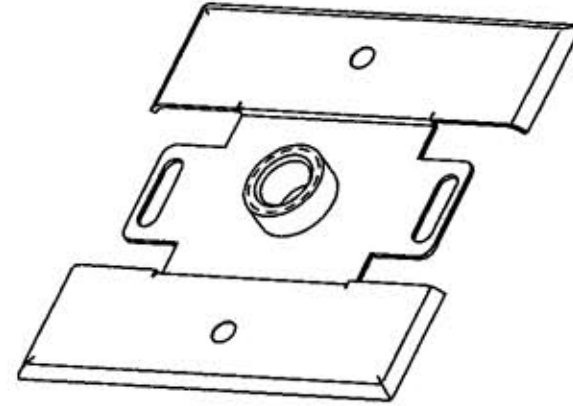


3X ϕ .25
[6.4]
MOUNTING HOLES

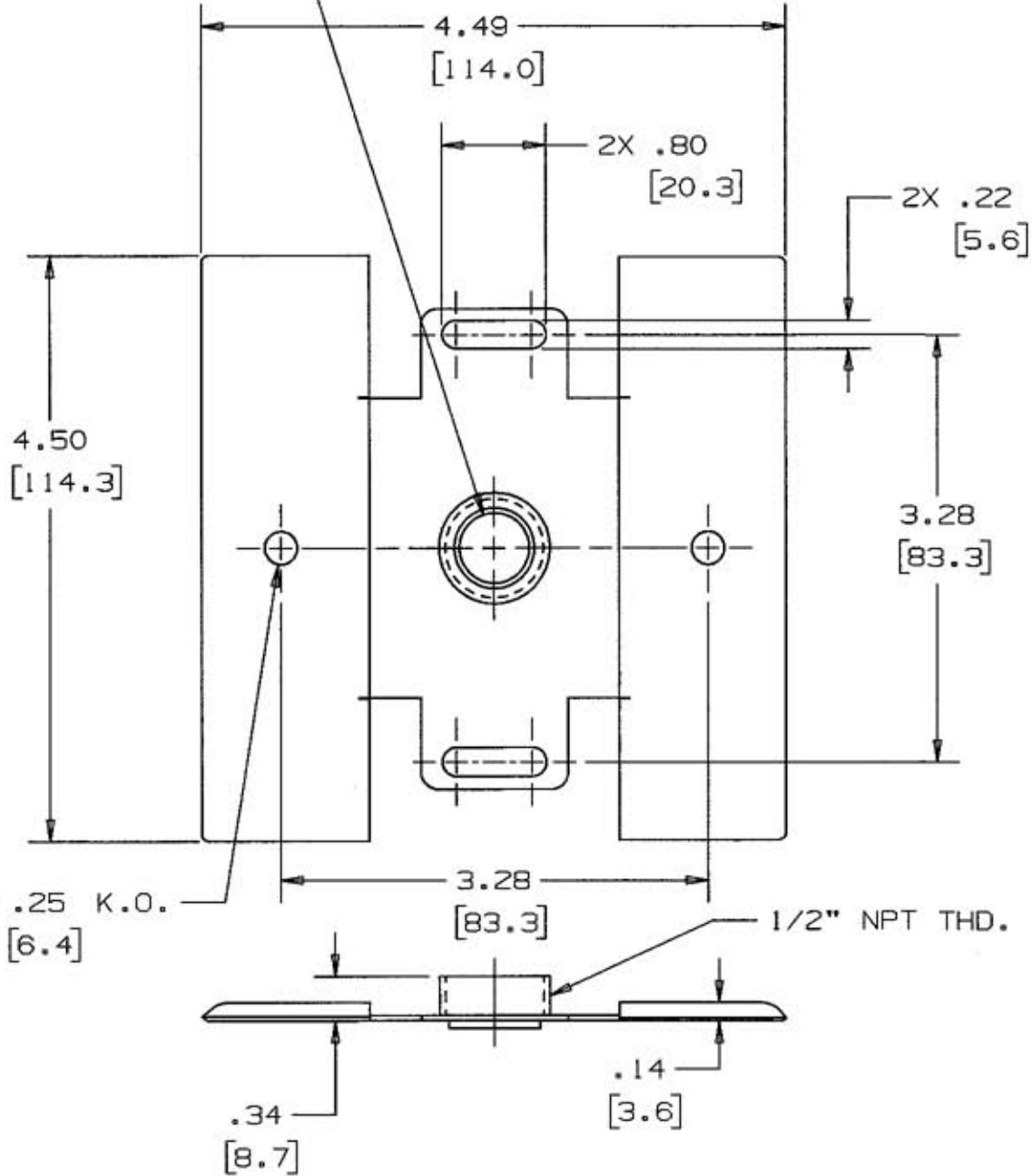


SIDE REDUCING CONNECTOR	COLOR
CAT. NO. HBL2489IV	IVORY

M-10332 1



ϕ .54 THRU
[13.6]



FLUSH PLATE ADAPTER	
CAT. NO.	COLOR
HBL2451HIV	IVORY

LIST OF PARTS

DESCRIPTION	MATERIAL	FINISH
SIDE REDUCING CONN.	STEEL	PAINTED
ADAPTER COVER ASSY.	STEEL	PAINTED

DIMENSION SHEET FOR CAT. NO.

SEE TABLE

REPAIRABLE

NON-REPAIRABLE

B

M-10332

1

1	RELEASED PER DCN13354	3/6/07
SYM	REVISIONS	APP DATE

THE DESIGN AND DIMENSIONS OF THE PRODUCT SHOWN ON THIS DRAWING ARE SUBJECT TO CHANGE WITHOUT NOTICE

TITLE RACEWAY
MISC. PARTS
HBL2400 SERIES

TOLERANCES UNLESS OTHERWISE SPECIFIED	WIRING DEVICE-KELLEMS HUBBELL INCORPORATED BRIDGEPORT, CT	
FRACTIONS \pm 1/64	DR. BY SRE	APP. BY <i>[Signature]</i>
DECIMALS \pm .005	TR. BY <i>[Signature]</i>	SCALE 1:1
ANGLES \pm 2°	CHK'D BY <i>[Signature]</i>	DATE 3/6/07