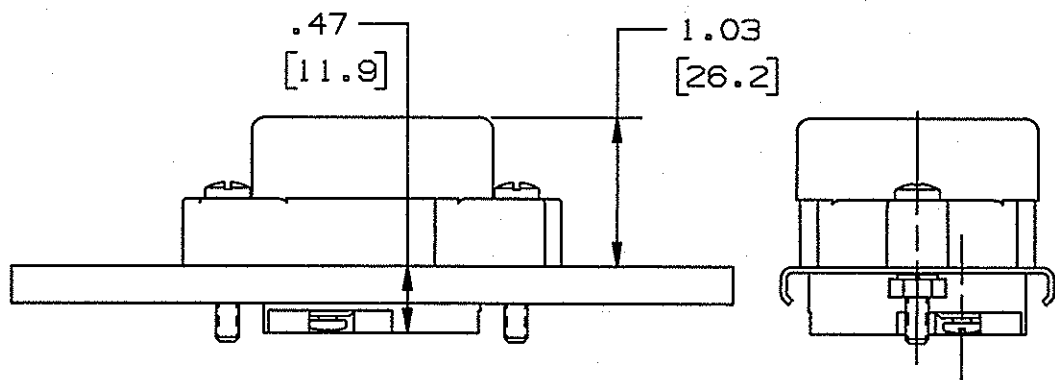
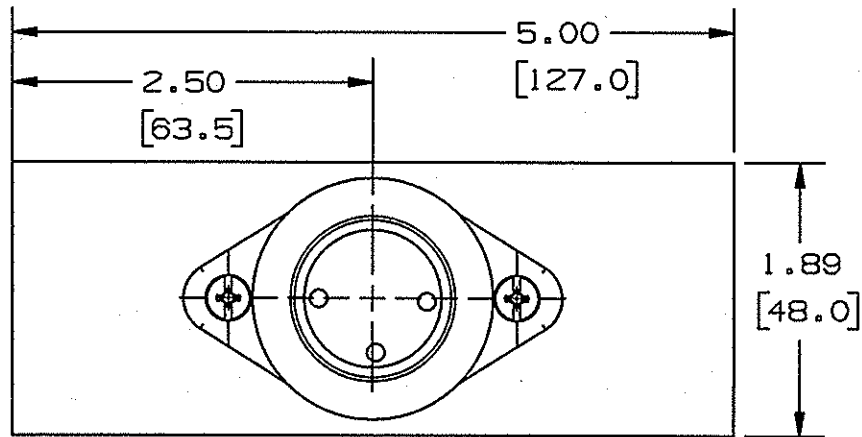
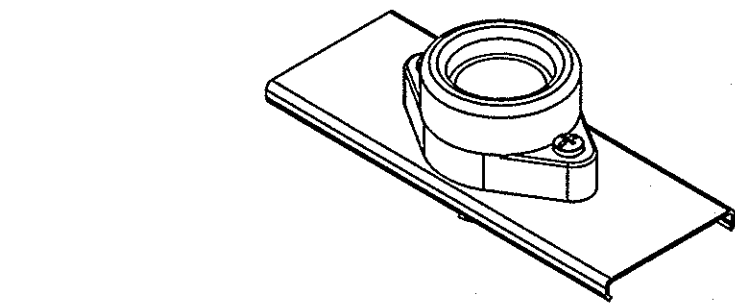
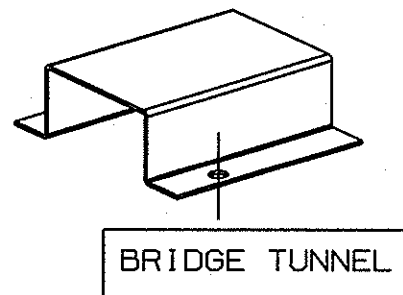
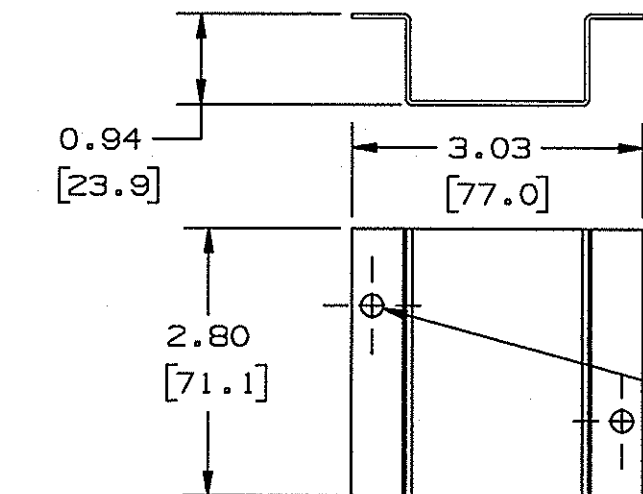


M-10329 4

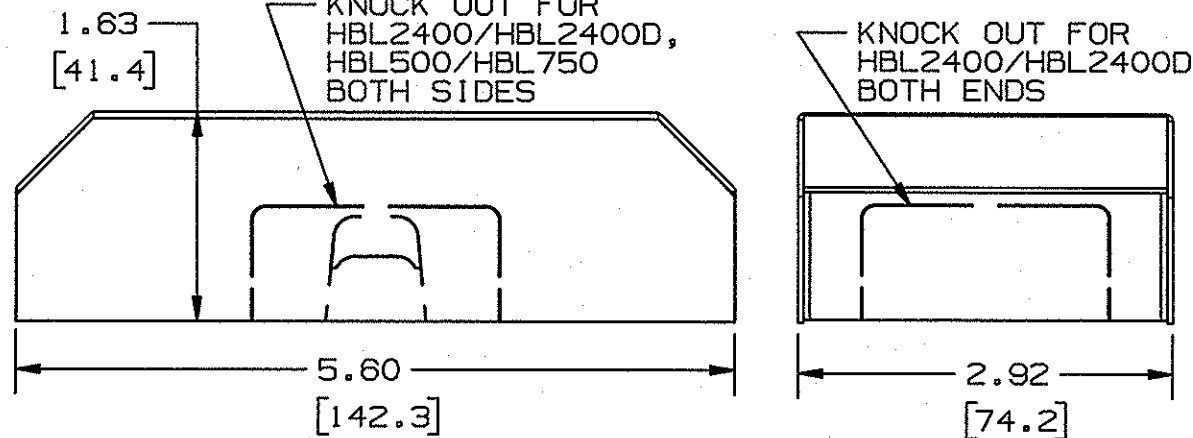
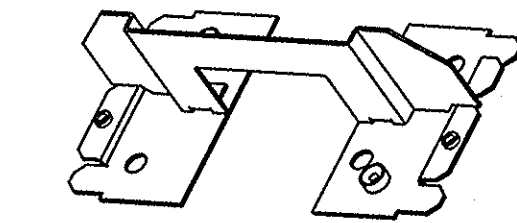


LAMP HOLDER	COLOR
CAT. NO. HBL2426IV	IVORY

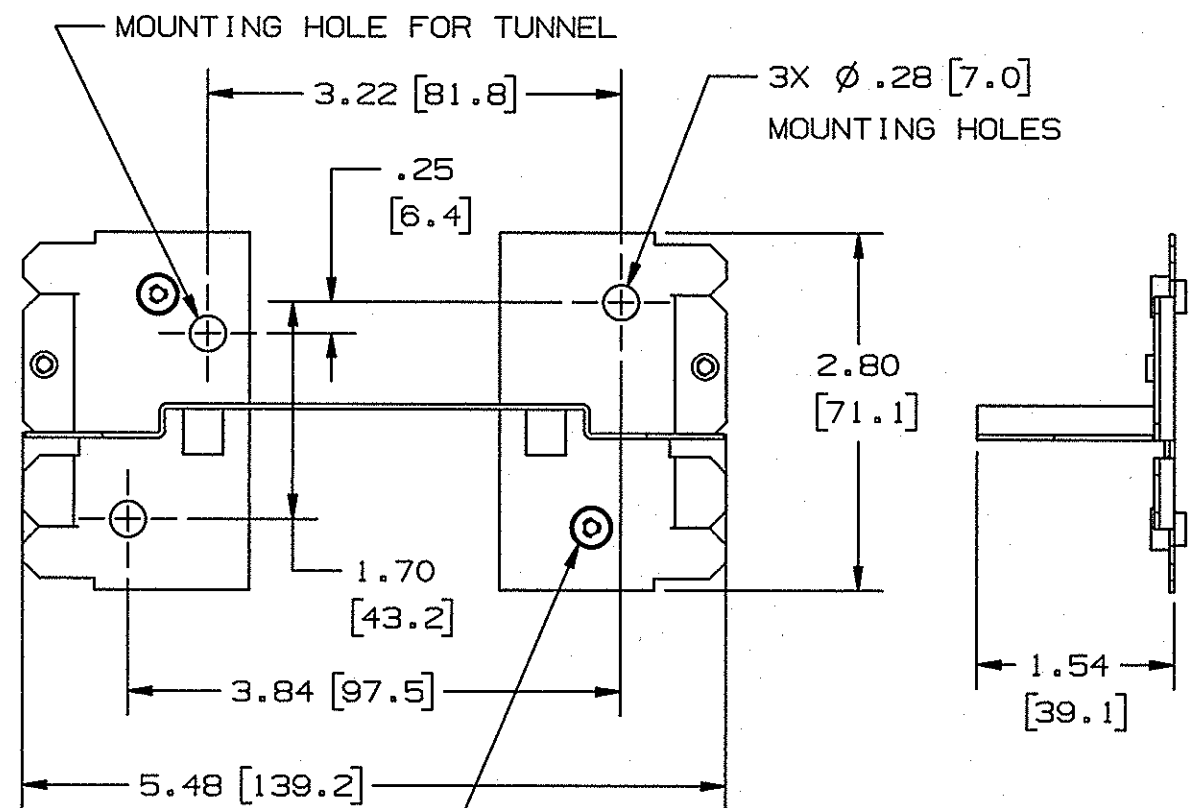


2X ϕ 0.23 [5.8]
FOR MOUNTING HOLE

NOTE: ALL DIMENSIONS IN INCHES AND [MM]

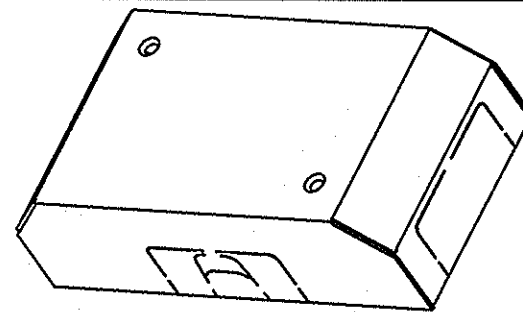


BRIDGE COVER



BRIDGE BASE

BRIDGE FITTING	
CAT. NO.	COLOR
HBL2475DBR	IVORY



LIST OF PARTS

DESCRIPTION	MATERIAL	FINISH
LAMP HOLDER COVER	STEEL	PAINTED
LAMP HOLDER BASE	CERAMIC	-----
BRIDGE BASE	STEEL	GALVANIZED
BRIDGE COVER	STEEL	PAINTED
BRIDGE TUNNEL	STEEL	GALVANIZED

SYM	REVISIONS	APP	DATE
4	BRIDGE FITTING CAT. NO. WAS HBL2475D DDCN15793	SRE	5-21-09
3	ON BRIDGE FITTING ADDED TUNNEL. MTG HOLES WAS 2X. DDCN14984	SRE SM	6-19-08
2	ON BRIDGE COVER ADDED NOTE KNOCK OUT FOR HBL2400/HBL2400D HBL500/HBL750 BOTH SIDES DDCN14307	SRE	10-11-07
1	RELEASED PER DDCN13354	SRE	3/6/07

THE DESIGN AND DIMENSIONS OF THE PRODUCT SHOWN ON THIS DRAWING ARE SUBJECT TO CHANGE WITHOUT NOTICE

TITLE
RACEWAY
MISC. PARTS
HBL2400 SERIES

TOLERANCES UNLESS OTHERWISE SPECIFIED	WIRING DEVICE-KELLEMS HUBBELL INCORPORATED BRIDGEPORT, CT	
FRACTIONS \pm 1/64	DR. BY SRE	APP. BY SRE
DECIMALS \pm .005	TR. BY	SCALE 1:1
ANGLES \pm 2'	CHK'D BY SRE	DATE 3/6/07