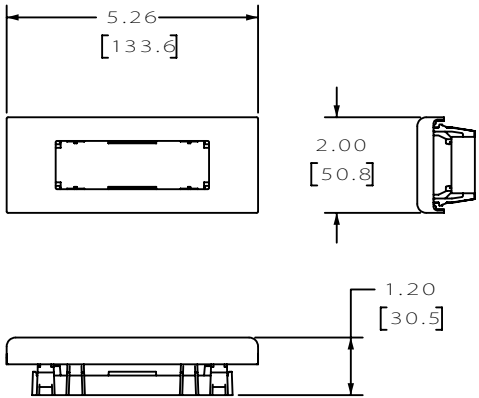
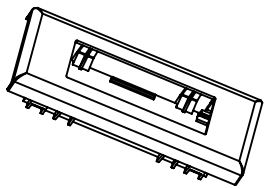


M - 10333 | 2

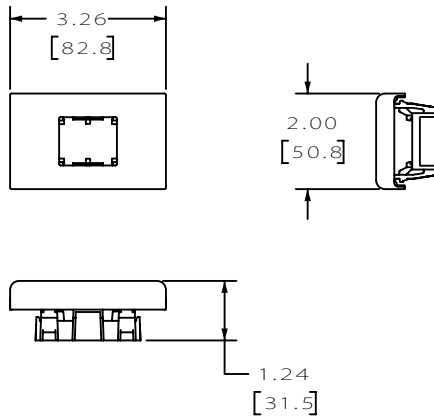
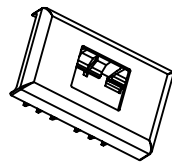


RECEPTACLE BRACKET & ADAPTER
CATALOG NUMBER HBL24DRK

FOR USE WITH HUBBELL DUPLEX RECEPTACLE
PT2 SERIES, ORDERED SEPERATELY

CODE 74545

M - 10333 | 2



RECEPTACLE BRACKET & ADAPTER
CATALOG NUMBER HBL24SRK

FOR USE WITH HUBBELL SINGLE RECEPTACLE
PT1 SERIES, ORDERED SEPERATELY

LIST OF PARTS		
DESCRIPTION	MATERIAL	FINISH
BEZEL	PVC	IVORY
SUPPORT	PVC	IVORY

DIMENSION SHEET FOR CAT. NO. SEE DRAWING REPAIRABLE NON-REPAIRABLE

2	UPDATED IMAGES PER LATEST DESIGNS DCN14964	SRE SM	6/19/08
1	RELEASED PER DCN13354	SRE APP	3/6/07
SYM	REVISIONS	APP	DATE

THE DESIGN AND DIMENSIONS OF THE PRODUCT SHOWN ON THIS DRAWING ARE SUBJECT TO CHANGE WITHOUT NOTICE

TITLE
PLUGTRAK RECEPTACLE BRACKET & ADAPTER HBL2400 RACEWAY

TOLERANCES UNLESS OTHERWISE SPECIFIED	WIRING DEVICE - KELLEMS HUBBELL INCORPORATED BRIDGEPORT, CT	
FRACTIONS ±1/64	DR. BY SRE	APP. BY SRE
DECIMALS ±.005	TR. BY	SCALE 1:1
ANGLES ±2°	CHK'D BY SRE	DATE 3/6/07

B M - 10333 2