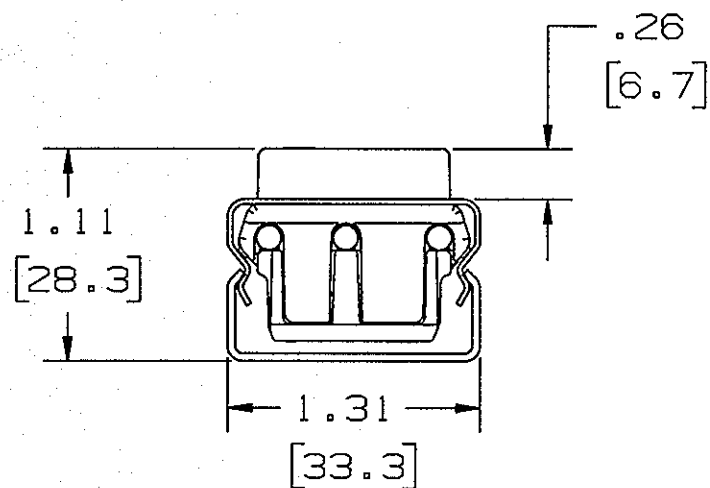
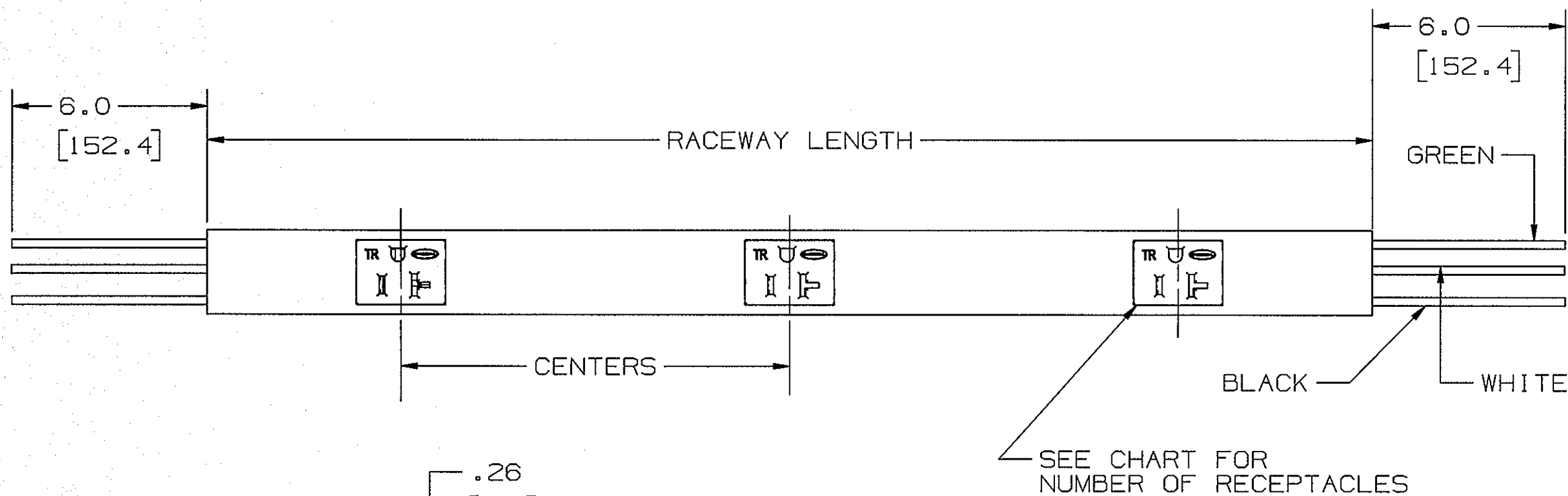


M-12016 2



END VIEW

NOTES:

- 1) RECEPTACLES ARE LOCATED SYMMETRICALLY IN OVERALL LENGTH.
- 2) CONDUCTORS - #12 THHN STRANDED WIRE.
- 3) "IV" IN CATALOG NUMBER DENOTES IVORY, "GY" IN CATALOG NUMBER DENOTES GRAY.

ALL DIMENSIONS ARE IN INCHES AND [MILLIMETERS]

CATALOG NUMBER	CONFIGURATION	RACEWAY LENGTH	NO. OF CIRCUITS	CENTERS	NO. OF RECEPTACLES
HBL20GB306IVTR	15AMP PER NEMA 5-15R	3 FT [91 CM]	1	6.0 [152]	6
HBL20GB306GYTR	15AMP PER NEMA 5-15R	3 FT [91 CM]	1	6.0 [152]	6
HBL20GB512IVTR	15AMP PER NEMA 5-15R	5 FT [152 CM]	1	12.0 [305]	5
HBL20GB512GYTR	15AMP PER NEMA 5-15R	5 FT [152 CM]	1	12.0 [305]	5
HBL24GB306IVTR	20AMP PER NEMA 5-20R	3 FT [91 CM]	1	6.0 [152]	6
HBL24GB306GYTR	20AMP PER NEMA 5-20R	3 FT [91 CM]	1	6.0 [152]	6
HBL24GB512IVTR	20AMP PER NEMA 5-20R	5 FT [152 CM]	1	12.0 [305]	5
HBL24GB512GYTR	20AMP PER NEMA 5-20R	5 FT [152 CM]	1	12.0 [305]	5

LIST OF PARTS

DESCRIPTION	MATERIAL	FINISH
RACEWAY	STEEL	SEE NOTES
RECEPTACLES	PVC	SEE NOTES
CONTACTS	COPPER ALLOY	NONE

DIMENSION SHEET FOR CAT. NO. SEE TABLE

REPAIRABLE NON-REPAIRABLE

2	UPDATED IMAGE PER DCN21944	AD	2/26/16
1	RELEASED PER DCN18223	SM	8/2/11
SYM	REVISIONS	APP	DATE

THE DESIGN AND DIMENSIONS OF THE PRODUCT SHOWN ON THIS DRAWING ARE SUBJECT TO CHANGE WITHOUT NOTICE

TITLE
PLUGTRAK - TAMPER RESISTANT STEEL RACEWAY, MULTI-OUTLET ASSEMBLIES

TOLERANCES UNLESS OTHERWISE SPECIFIED	WIRING DEVICE-KELLEMS HUBBELL INCORPORATED SHELTON, CT	
.XX = ±.01	DR. BY SRE	APP. BY
.XXX = ±.005	TR. BY	SCALE NONE
ANGLES = ±2°	CHK. BY	DATE 8/1/11

B M-12016 2