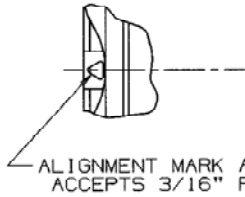


M-7317

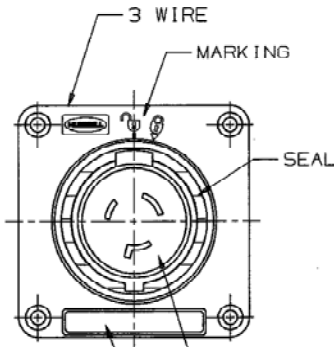
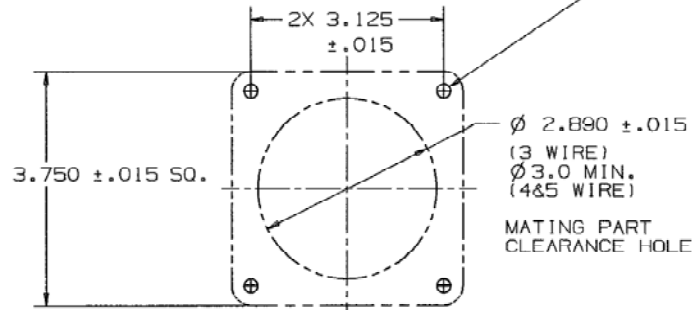
5

4X ϕ .225 \pm .015 MOUNTING HOLES
ACCEPT # 10 SCREWS



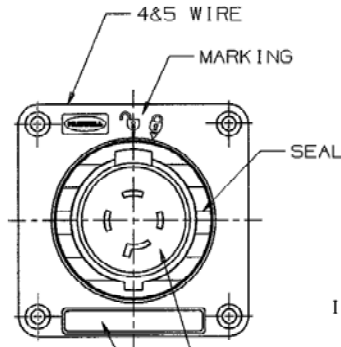
ALIGNMENT MARK AND LOCKOUT HOLE.
ACCEPTS 3/16" PADLOCK SHACKLE.

VIEW A-A



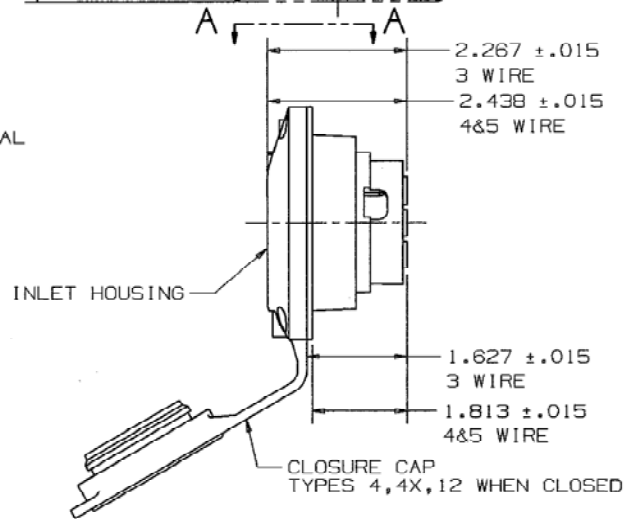
CATALOG No. AND
RATING LABEL

BLADE HOLDER



CATALOG No. AND
RATING LABEL

BLADE HOLDER



INLET HOUSING

CLOSURE CAP
TYPES 4, 4X, 12 WHEN CLOSED

LIST OF PARTS

DESCRIPTION	MATERIAL	FINISH
INLET HOUSING	PBTP	
SEALS	CBR	
CLOSURE CAP	CBR	
BLADE HOLDER	PA 66	
SCREWS	302 SS	

REV	DESCRIPTION	APP	DATE
5	ADDED "3 WIRE", ϕ 3.0 MIN (4&5 WIRE) TO ϕ 2.890 DIM. PER DCN 15205 RCM DJP	DJP	11/21/08
4	CHANGED DIMENSION FROM ϕ 3.120 \pm .015 TO ϕ 2.890 \pm .015. FROM 3.75 \pm .015 SQ. TO 3.750 \pm .015 SQ. PER DCN 9855 CAC	CAC	8/3/01
3	CONVERTED ALL DIMS TO 3 PL DECIMAL AND ADDED TOL PER DCN #772. AMZ	DB	8/18/00
2	RELEASED FOR PRODUCTION! ADDED U.L. LISTED & CSA CERTIFIED TO DWG! ADDED "CATALOG No. AND" TO "RATING LABEL" APPENDED TABLE PER DCN #2070. DLB	JCA	11/16/94
1	RELEASED 2777-9	JCA	10/11/94

THE DESIGN AND DIMENSIONS OF THE
PRODUCT SHOWN ON THIS DRAWING ARE
SUBJECT TO CHANGE WITHOUT NOTICE

TITLE SAFETY-SHROUD™
TWIST-LOCK®
INLETS

<p>TOLERANCES UNLESS OTHERWISE SPECIFIED</p> <p>FRACTIONS \pm 1/64</p> <p>DECIMALS \pm .005</p> <p>ANGLES 12°</p>	<p>WIRING DEVICE-KELLEMS HUBBELL INCORPORATED BRIDGEPORT, CT</p>	
	DR. BY EEM	APP. BY JCA
	TR. BY	SCALE 1/2
	CHK'D BY JCA	DATE 10/5/94

	INLET	CONFIGURATION RATING	MATING CONNECTOR ¹	MATING NEMA CONNECTOR ²	IEC COLOR CODE
	CATALOG #		CATALOG #	NEMA # HUBBELL	
3 WIRE	HBL2315SW	20A 125V	HBL2313SW	L5-20R 2313	YELLOW
	HBL2325SW	20A 250V	HBL2323SW	L6-20R 2323	BLUE
	HBL2335SW	20A 277VAC	HBL2333SW	L7-20R 2333	GRAY
4 WIRE	HBL2415SW	20A 125/250V	HBL2413SW	L14-20R 2413	ORANGE
	HBL2425SW	20A 250V 3Ø	HBL2423SW	L15-20R 2423	BLUE
	HBL2435SW	20A 480V 3Ø	HBL2433SW	L16-20R 2433	RED
5 WIRE	HBL2515SW	20A 120/208V 3ØY	HBL2513SW	L21-20R 2513	BLUE
	HBL2615SW	30A 125V	HBL2613SW	L5-30R 2613	YELLOW
	HBL2625SW	30A 250V	HBL2623SW	L6-30R 2623	BLUE
3 WIRE	HBL2715SW	30A 125/250V	HBL2713SW	L14-30R 2713	ORANGE
	HBL2725SW	30A 250V 3Ø	HBL2723SW	L15-30R 2723	BLUE
	HBL2735SW	30A 480V 3Ø	HBL2733SW	L16-30R 2733	RED
4 WIRE	HBL2745SW	30A 600V 3Ø	HBL2743SW	L17-30R 2743	BLACK
	HBL2815SW	30A 120/208V 3ØY	HBL2813SW	L21-30R 2813	BLUE

¹ TYPES 4, 4X, 12 WHEN CONNECTED

² TYPES 1 WHEN CONNECTED

U.L. LISTED
C.S.A. CERTIFIED

DIMENSION SHEET FOR CAT. NO. M-7317
 SEE TABLE
 REPAIRABLE NON-REPAIRABLE
 B
 M-7317
 5