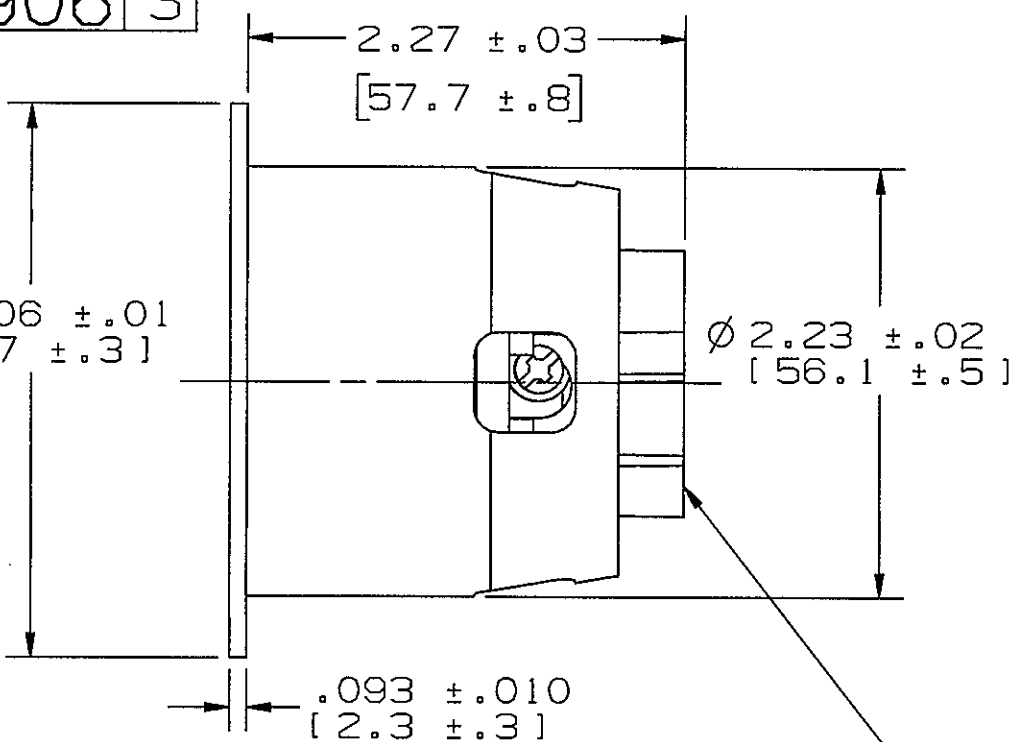
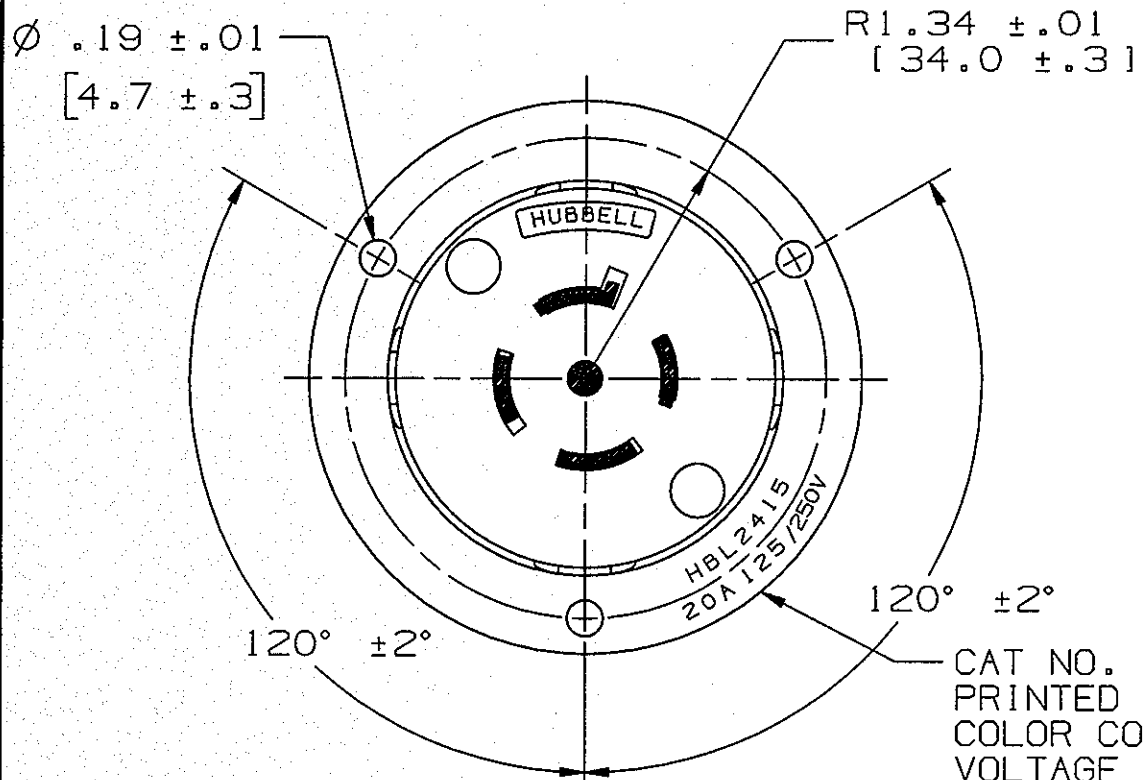


M-7906 3



LIST OF PARTS		
DESCRIPTION	MATERIAL	FINISH
CASING	NYLON	NATURAL
BLADE HOLDER	NYLON	NATURAL
RETAINER	POLY CARBONATE	CLEAR
BLADE	.060 BRASS	
CENTER GROUND BLADE & TERMINAL LUG (5 WIRE)	BRASS	
WIRE CLAMP	.080 CRS	NICKEL PLATE
#10 TERMINAL SCREWS	BRASS	*
#10 GROUND SCREW	BRASS	GREEN
ASSEMBLY FASTENERS	STEEL	ZINC PLATE
#8 MOUNTING SCREWS	BRASS	NICKEL PLATE

\* WHITE FINISH ON NEUTRAL BLADE WHEN USED

NEMA NO.	RATING	POLE/WIRE	CAT NO.	VOLTAGE COLOR CODE
L14-20P	125/250V	3P/4W GROUNDING	HBL2415	ORANGE
L15-20P	3Ø 250 VAC	3P/4W GROUNDING	HBL2425 >HBL2425M309	BLUE
L16-20P	3Ø 480 VAC	3P/4W GROUNDING	HBL2435 >HBL2435M309	RED
L18-20P	3Ø Y 120/208VAC	4P/4W NON-GROUNDING	HBL2445	BLUE
L19-20P	3Ø Y 277/480VAC	4P/4W NON-GROUNDING	HBL2455	RED
L20-20P	3Ø Y 347/600VAC	4P/4W NON-GROUNDING	HBL2465	BLACK
L21-20P	3Ø Y 120/208VAC	4P/5W GROUNDING	HBL2515	BLUE
L22-20P	3Ø Y 277/480VAC	4P/5W GROUNDING	HBL2525 >HBL2525M309	RED
L23-20P	3Ø Y 347/600VAC	4P/5W GROUNDING	HBL2535	BLACK

TERMINALS WILL ACCEPT 16AWG TO 8AWG WIRE

LEGEND:  
IN.  
[ mm ]

- NOTES:
- ALL SCREWS ARE COMBINATION PHILLIPS/SLOTTED/ROBERTSON HEAD.
  - > INDICATES EVALUATED BY UL IN ACCORDANCE WITH IEC 309-1

REV	DESCRIPTION	BY	DATE
3	UPDATED DIMENSIONS AND TOLERANCES PER DCN 21787 MYA <i>DJP</i>	DJP	11/19/15
2	REVISED NOTE; REVISED SCREW TO TRI-DRIVE PER DCN 7633 RCM		6/21/00
1	RELEASED PER DCN 5220-13 B.C.	DJP	03/12/98
SYM	REVISIONS		

THE DESIGN AND DIMENSIONS OF THE PRODUCT SHOWN ON THIS DRAWING ARE SUBJECT TO CHANGE WITHOUT NOTICE

TITLE  
20A 4 & 5-WIRE TWIST-LOCK FLANGE INLET

TOLERANCES UNLESS OTHERWISE SPECIFIED	WIRING DEVICE-KELLEMS HUBBELL INCORPORATED BRIDGEPORT, CT	
FRACTIONS N/A	DR. BY B.C.	APP. BY DJP
DECIMALS N/A	TR. BY	SCALE NONE
ANGLES N/A	CHK'D BY DJP	DATE 02/12/98

DIMENSION SHEET FOR CAT. NO.

REPAIRABLE

NON-REPAIRABLE

B

M-7906

W