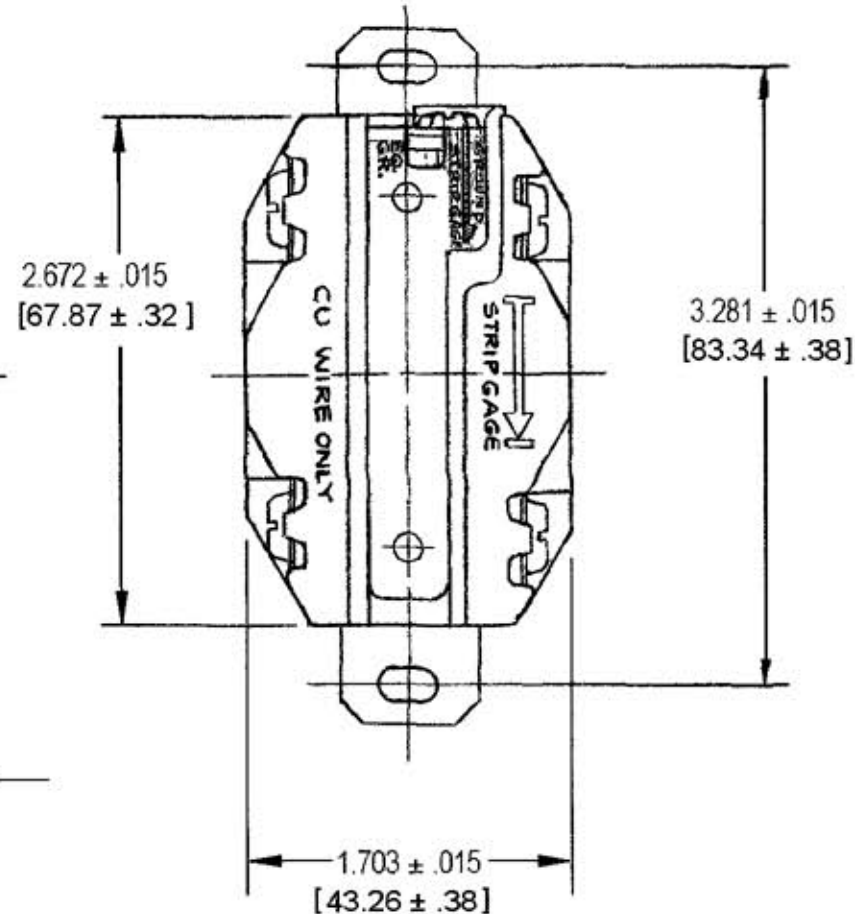
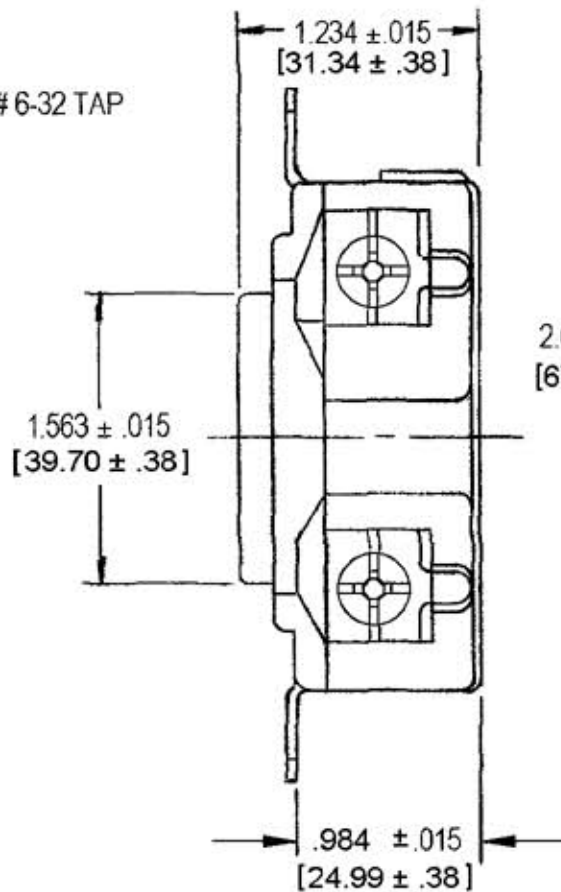
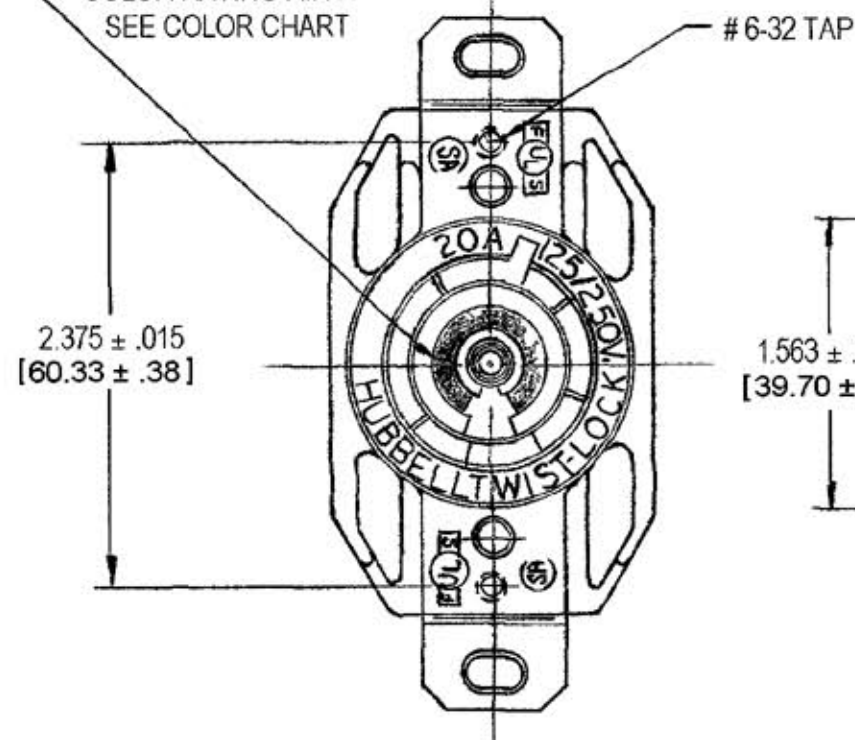


M-6471 7

COLOR RATING RING
SEE COLOR CHART



CAT. NO.	CONFIGURATION	RATING	RATING RING (COLOR)
HBL2410 HBL2410RT	NEMA L-14-20R	20A. 125/250V	ORANGE
HBL2420 HBL2420RT	NEMA L-15-20R	20A. 250V 3 Ø	BLUE
HBL 2430	NEMA L-16-20R	20A. 480V 3 Ø	RED
HBL 2440	NEMA L-18-20R	20A. 120/208V 3ØY	BLUE
HBL 2450	NEMA L-19-20R	20A. 277/480V 3ØY	RED
HBL 2460	NEMA L-20-20R	20A. 347/600V 3ØY	---
HBL 2510	NEMA L-21-20R	20A. 120/208V 3ØY	BLUE
HBL 2520	NEMA L-22-20R	20A. 277/480V 3ØY	RED
HBL 2530	NEMA L-23-20R	20A. 347/600V 3ØY	---

NOTES

- CATALOG NUMBERS WITH SUFFIX "RT" ARE CSA CERTIFIED AND UL RECOGNIZED FOR USE WITH RING TERMINALS. OR SIDE WIRED.
- CONDUCTOR RANGE #14 AWG TO #8 AWG
- INCHES [mm]
- DEVICES WITH SUFFIX "RT" DO NOT HAVE WIRE GUIDES. AND SCREWS ARE PACKED SEPARATELY IN POLYBAG.

LIST OF PARTS

DESCRIPTION	MATERIAL	FINISH
BASE	POLYESTER	TAN
COVER	NYLON	BLACK
CONTACT SPRINGS	.040 BRASS	
CLAMP	.040 BRASS	
GR. SHUNT	.015 BRASS	
BINDING SCREWS	BRONZE	*
HEX. HD. BIND. SCR.	BRONZE	GREEN
BACK PLATE	.040 BRASS	
END PLATES	.050 BRASS	
RIVET	BRASS	
GR. CLAMP	STEEL	** NI. PL.

* WHITE FINISH ON NEUTRAL SCREW WHEN USED.

** USED ON FIVE WIRE DEVICES

SYM	REVISIONS	APP	DATE
7	NOTE 4 ADDED "SCREWS ARE PACKAGED SEPARATELY IN POLYBAG" PER DCN 12307 SPN	RDK	4/11/05
6	ADDED SIDE WIRE AND NO WIRE GUIDE INFORMATION TO NOTES. PER DCN#11361 GDR	RDK	12/8/03
5	ADDED HBL2410RT AND HBL2420RT TO TABLE. ADDED NOTES 1-3. ADDED [MM] DIMS PER DCN 10718. MYA	RDK	4/24/03
4	CONVERTED ALL DIMS TO 3 PL. DECIMAL & TOL ADDED PER DCN #7772. AMZ DB		6-29-00
3	ADDED HBL TO CAT ^{EC TEST} _{ALM}		10-3-99
2	BASE WAS BLACK		11-10-89
1	CONTACT SPRING MATL. WAS .040 BRASS		8-6-86

THE DESIGN AND DIMENSIONS OF THE PRODUCT SHOWN ON THIS DRAWING ARE SUBJECT TO CHANGE WITHOUT NOTICE.

TITLE

20A. 3-POLE 4-WIRE
20A. 4-POLE 4-WIRE
20A. 4-POLE 5-WIRE
TWIST-LOCK RECEPTACLES

TOLERANCES UNLESS OTHERWISE SPECIFIED
FRACTIONS ± 1/64
DECIMALS ± .005
ANGLES ± 2°

WIRING DEVICE DIVISION
HARVEY HUBBELL, INC.
BRIDGEPORT, CONN.

DR. BY A.J.L. APP. BY
TR. BY SCALE 1:1
CHK'D. BY DATE 10-14-85

DIMENSION SHEET FOR CAT. NO. SEE TABLE

REPAIRABLE NON-REPAIRABLE

B M-6471 7