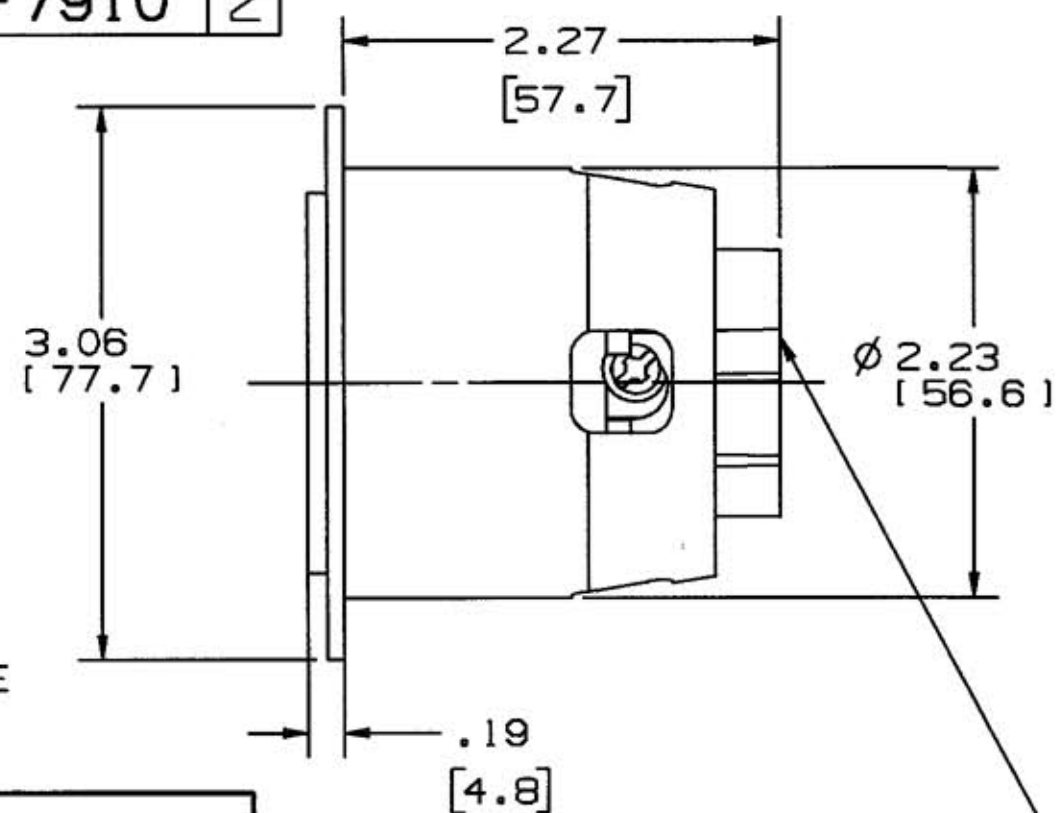
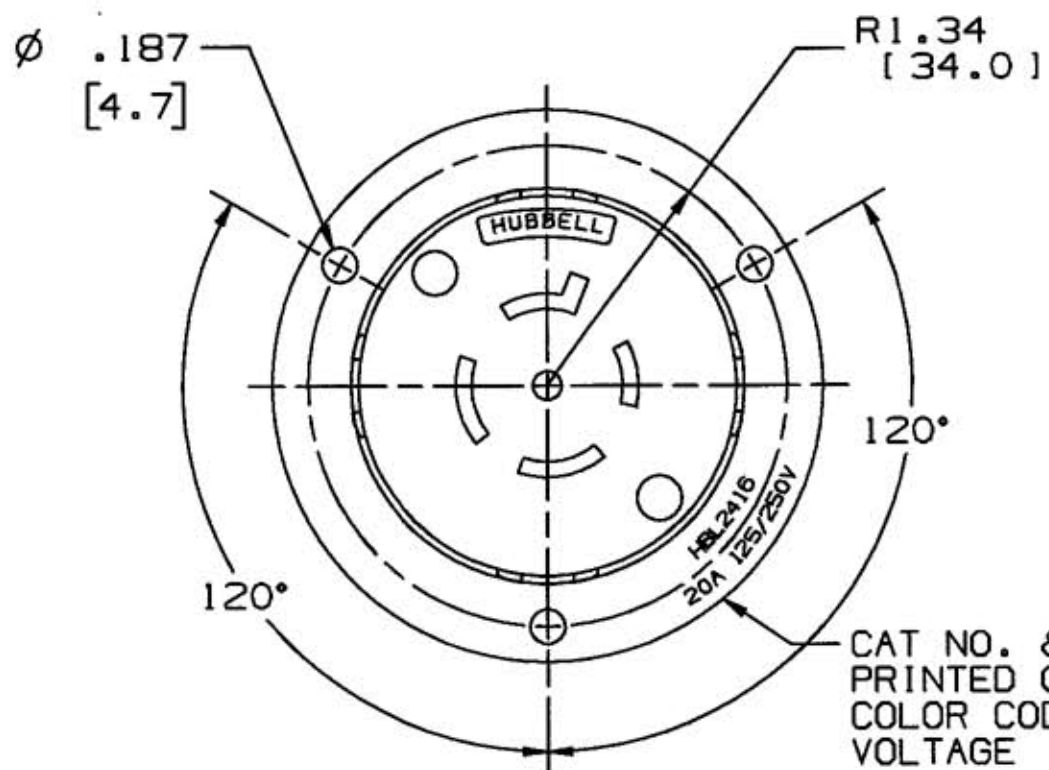


M-7910 2



CAT NO. & RATING
PRINTED ON FLANGE
COLOR CODE BY
VOLTAGE

TERMINALS WILL ACCEPT
16AWG TO 8AWG WIRE

LEGEND:
IN.
[mm]

NOTE:
1. ALL SCREWS ARE COMBINATION
PHILLIPS/SLOTTED/ROBERTSON
HEAD.

NEMA NO.	RATING	POLE/WIRE	CAT NO.	VOLTAGE COLOR CODE
L14-20R	125/ 250V	3P/4W GROUNDING	HBL2416	ORANGE
L15-20R	3 Ø 250 VAC	3P/4W GROUNDING	HBL2426	BLUE
L16-20R	3 Ø 480 VAC	3P/4W GROUNDING	HBL2436	RED
L18-20R	3 Ø Y 120/ 208VAC	4P/4W NON-GROUNDING	HBL2446	BLUE
L19-20R	3 Ø Y 277/ 480VAC	4P/4W NON-GROUNDING	HBL2456	RED
L20-20R	3 Ø Y 347/ 600VAC	4P/4W NON-GROUNDING	HBL2466	BLACK
L21-20R	3 Ø Y 120/ 208VAC	4P/5W GROUNDING	HBL2516	BLUE
L22-20R	3 Ø Y 277/ 480VAC	4P/5W GROUNDING	HBL2526	RED
L23-20R	3 Ø Y 347/ 600VAC	4P/5W GROUNDING	HBL2536	BLACK

LIST OF PARTS

DESCRIPTION	MATERIAL	FINISH
CASING	NYLON	NATURAL
CONTACT BODY	NYLON	NATURAL
RETAINER	POLY CARBONATE	CLEAR
CONTACTS	.031 BRASS	
CENTER GROUND CONTACT & TERMINAL LUG (5 WIRE)	BRASS	
WIRE CLAMP	.080 CRS	NICKEL PLATE
#10 TERMINAL SCREWS	BRASS	*
#10 GROUND SCREW	BRASS	GREEN
ASSEMBLY FASTENERS	STEEL	ZINC PLATE
#8 MOUNTING SCREWS	BRASS	NICKEL PLATE

* WHITE FINISH ON NEUTRAL
CONTACT WHEN USED

SYM	REVISIONS	APP	DATE
2	REVISED NOTE; REVISED SCREW TO TRI-DRIVE PER DCN 7633 RCM	<i>DB</i>	6/21/00
1	RELEASED PER DCN 5220-13 B.C.		03/12/98

THE DESIGN AND DIMENSIONS OF THE
PRODUCT SHOWN ON THIS DRAWING ARE
SUBJECT TO CHANGE WITHOUT NOTICE

TITLE
20A 4 & 5-WIRE
TWIST-LOCK
FLANGED RECEPTACLE

TOLERANCES UNLESS OTHERWISE SPECIFIED		WIRING DEVICE-KELLEMS HUBBELL INCORPORATED BRIDGEPORT, CT	
FRACTIONS	N/A	DR. BY B.C.	APP. BY DJP
DECIMALS	N/A	TR. BY	SCALE NONE
ANGLES	N/A	CHK'D BY DJP	DATE 02/12/98