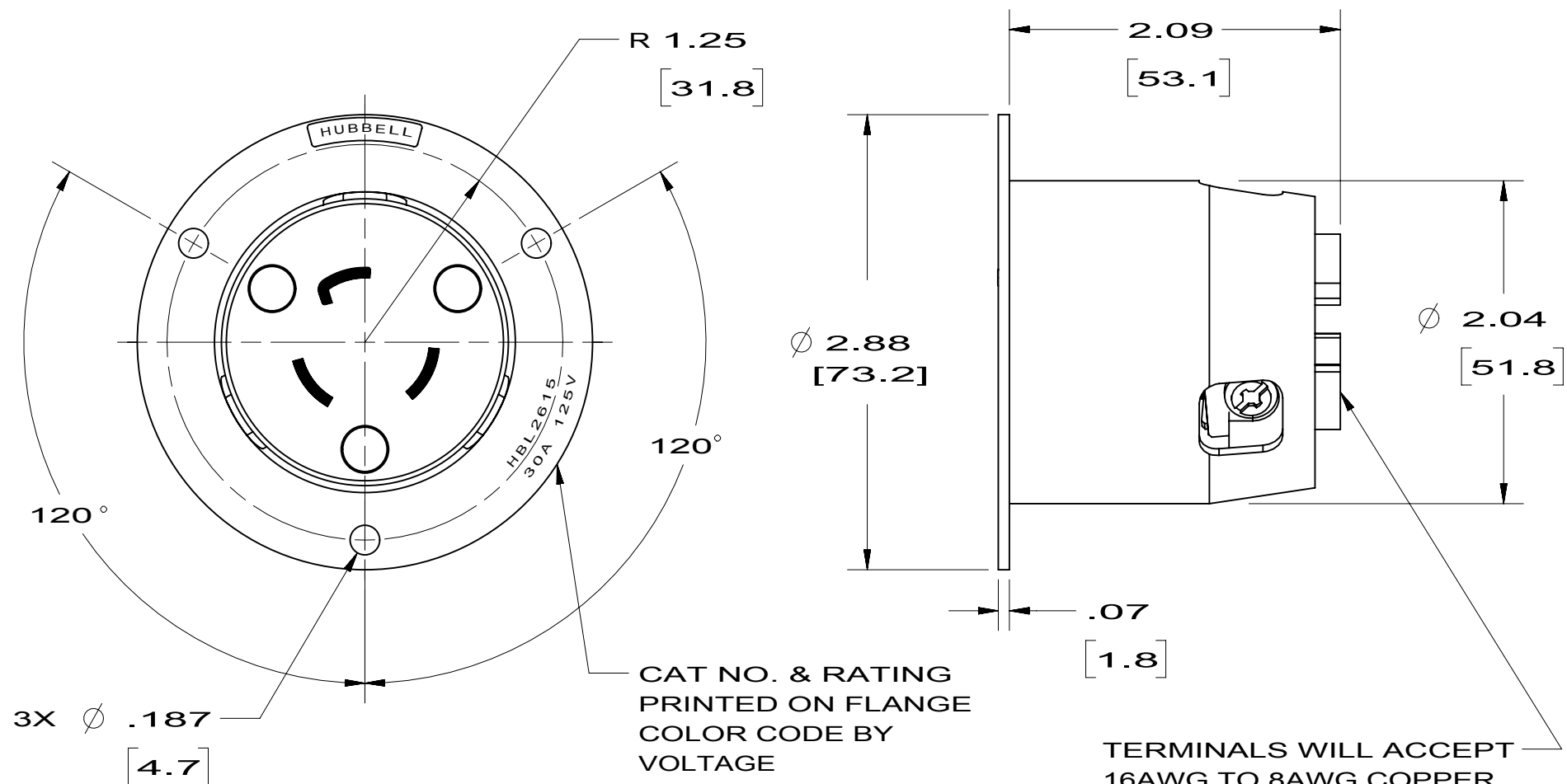


M-7907

5



CAT NO. & RATING
PRINTED ON FLANGE
COLOR CODE BY
VOLTAGE

TERMINALS WILL ACCEPT
16AWG TO 8AWG COPPER
WIRE ONLY

LEGEND: IN.
[mm]

NEMA NO.	RATING	POLE/WIRE	CAT. NO.	VOLTAGE COLOR CODE
L5-30P	125V	2P/3W GROUNDING	HBL2615	YELLOW
			HBL2615F	
L6-30P	250V	2P/3W GROUNDING	HBL2625	BLUE
			HBL2625F	
L7-30P	277VAC	2P/3W GROUNDING	HBL2635	GRAY
L8-30P	480VAC	2P/3W GROUNDING	HBL2645	RED
L9-30P	600VAC	2P/3W GROUNDING	HBL2655	BLACK
L25-30P	240VAC	2P/3W GROUNDING	HBL2605	BLUE

NOTES:

- ALL SCREWS ARE COMBINATION ROBERTSON/PHILIPS/SLOTTED.
- WHITE FINISH ON NEUTRAL BLADE WHEN USED.
- "F" SUFFIX - GRAY HEAT STABILIZED NYLON.

LIST OF PARTS

DESCRIPTION	MATERIAL	FINISH
CASING	NYLON	NATURAL SEE NOTE 3
BLADE HOLDER	NYLON	NATURAL SEE NOTE 3
RETAINER		CLEAR
BLADE	.070 BRASS	
WIRE CLAMP	.080 CRS	NICKEL PLATE
#10 TERMINAL SCREWS	BRASS	SEE NOTE 2
#10 GROUND SCREWS	BRASS	GREEN
ASSEMBLY FASTENERS	STEEL	ZINC PLATE
#8 MOUNTING SCREWS	BRASS	NICKEL PLATE

5	ADDED L25-30P PER DCN 22357 JZW	JZW	8/29/16
4	ADDED NOTE 3; RENUMBERED EXISTING NOTES; ADDED "SEE NOTE 1", "SEE NOTE 2" "HBL2615F" & "HBL2625F"; ADDED "COPPER WIRE ONLY" TO TERMINAL CALLOUT PER DCN #11902 RCM	JPP	1/14/05
3	REVISED SCREW HEAD TO TRI-DRIVE PER DCN #10859 RCM	DB	6/19/03
2	REMOVED CANADIAN CATALOG, CHGD SCREWS TO TRI-DRIVE PER DCN #7772. AMZ	DB	8/24/00
1	RELEASED PER DCN 5220-13/P B.C.	DB	03/12-98
SYM	REVISIONS	APP	DATE

THE DESIGN AND DIMENSIONS OF THE
PRODUCT SHOWN ON THIS DRAWING ARE
SUBJECT TO CHANGE WITHOUT NOTICE

TITLE **30A 3-WIRE
TWIST-LOCK
FLANGE INLET**

TOLERANCES UNLESS OTHERWISE SPECIFIED	WIRING DEVICE-KELLEMS HUBBELL INCORPORATED BRIDGEPORT, CT	
FRACTIONS N/A	DR. BY B.C.	APP. BY DJP
DECIMALS N/A	TR. BY	SCALE NONE
ANGLES N/A	CHK'D BY DJP	DATE 03/02/98