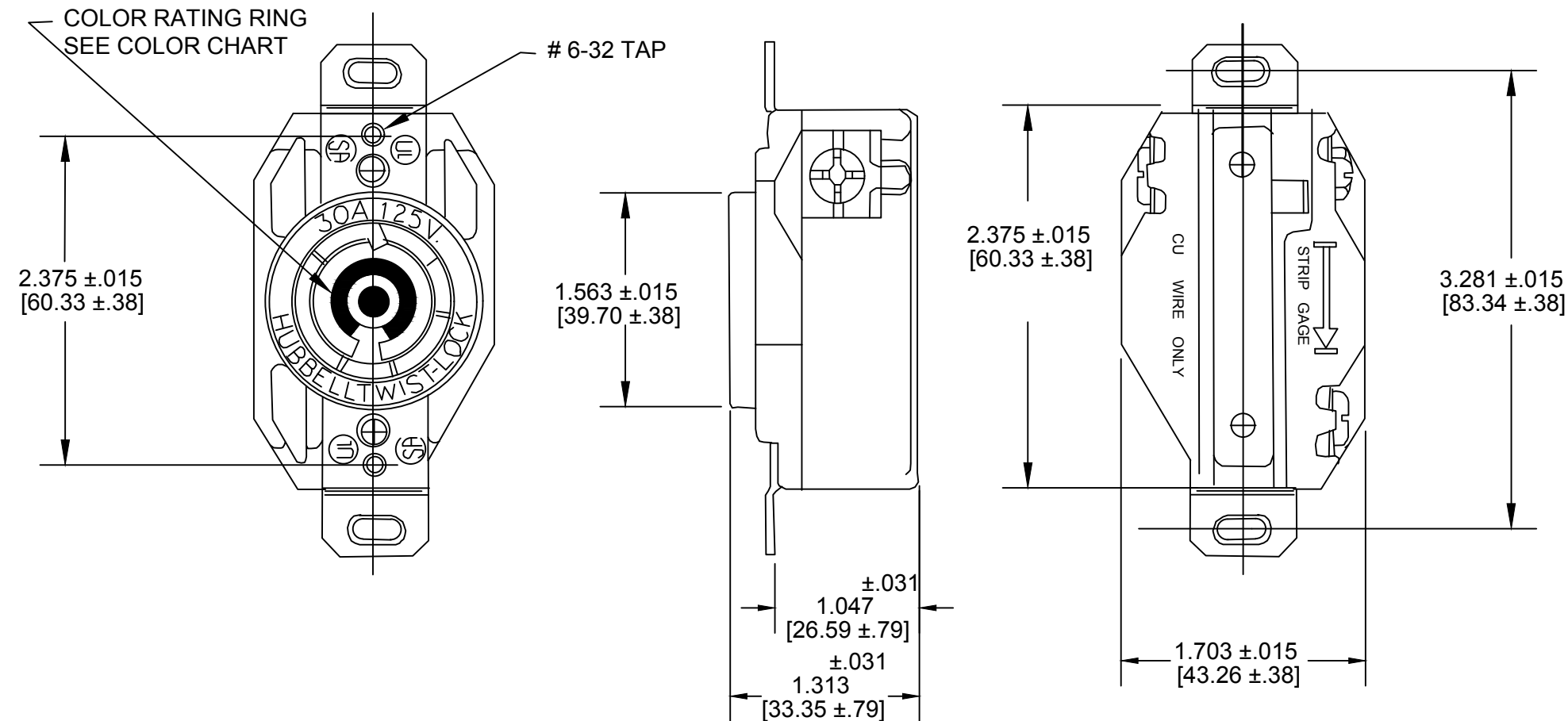


M-6454

9



CAT. NO YELLOW COVER	CAT. NO BLACK COVER	CONFIGURATION	RATING	RATING RING (COLOR)
HBL26CM10	HBL2610 HBL2610RT	NEMA L5-30R	30A. 125V.	YELLOW
HBL26CM20	HBL2620 HBL2620RT	NEMA L6-30R	30A. 250V.	BLUE
_____	HBL2630	NEMA L7-30R	30A. 277V.	GRAY
_____	HBL2640	NEMA L8-30R	30A. 480V.	RED
_____	HBL2650	NEMA L9-30R	30A. 600V.	_____
_____	HBL2600	NEMA L25-30R	30A. 240V.A.C.	BLUE

NOTES

- CATALOG NUMBERS WITH SUFFIX "RT" ARE CSA CERTIFIED AND UL RECOGNIZED FOR USE WITH RING TERMINALS. OR SIDE WIRED
- CONDUCTOR RANGE #14 AWG TO #8 AWG
- DIMENSIONS ARE SPECIFIED IN INCHES [mm]
- DEVICES WITH SUFFIX "RT" DO NOT HAVE WIRE GUIDES AND SCREWS ARE PACKED SEPARATELY IN POLYBAG.

LIST OF PARTS

DESCRIPTION	MATERIAL	FINISH
BASE	POLYESTER	TAN
COVER	NYLON	BLACK
CONTACT SPRINGS	.040 BRASS	
CLAMP	.040 BRASS	
GR. SHUNT	.015 BRASS	
BINDING SCREWS	BRONZE	*
HEX HD. BIND. SCREW	BRONZE	GREEN
BACK PLATE	.040 BRASS	
END PLATES	.050 BRASS	
RIVET	BRASS	

* WHITE FINISH ON NEUTRAL SCREW WHEN USED.

NOTE:

ON "CM" DEVICES, STEEL PARTS ARE MADE OF BRASS OR STAINLESS STEEL AND BRASS PARTS ARE .0003 NICKEL PLATED.

SYMBOL	REVISIONS	APP	DATE
9	ADDED HBL2600 TO TABLE PER DCN 22357 JZW	TL5	8/29/16
8	ADDED HBL26CM20 TO TABLE, CORRECTED NOTES 3 AND 4 PER DCN 16641 MYA	TCM	4/29/10
7	NOTE 4 ADDED "SCREWS ARE PACKAGED SEPARATELY IN POLYBAG" PER DCN 12307 SPN	RDK	4/11/05
6	ADDED SIDE WIRE AND NO WIRE GUIDE INFORMATION TO NOTES PER DCN#11361 GDR	RDK	12/8/03
5	ADDED HBL2610RT AND HBL2620RT TO TABLE, ADDED NOTES 1-3 ADD [mm] DIMS PER DCN 10718 MYA	RDK	4/23/03
4	ALL DIMS CONVERTED TO 3 PL DECIMAL & TOL ADDED. VIEW EDITED TO SHOW TRI-DRIVE SCREW PER DCN #772 AMZ DB		6/28/00
3	ADDED HBL TO CAT # EC 7282 ALM	MJL	10-3-99
2	COLORS ADDED TO BASE & COVER JMN	D.L.	1-26-90
1	CONTACT SPRING MATL. WAS .040 BRONZE AJL		8-6-86

THE DESIGN AND DIMENSIONS OF THE PRODUCT SHOWN ON THIS DRAWING ARE SUBJECT TO CHANGE WITHOUT NOTICE

TITLE

30A. 2-POLE 3-WIRE TWIST-LOCK RECEPTACLES

TOLERANCES UNLESS OTHERWISE SPECIFIED
 FRACTIONS ±1/64
 DECIMALS ±.005
 ANGLES ±2°

WIRING DEVICE—KELLEMS HUBBELL INCORPORATED SHELTON, CT

DR. BY	AJL	APP. BY	
TR. BY		SCALE	FULL
CHK'D BY		DATE	9-26-85