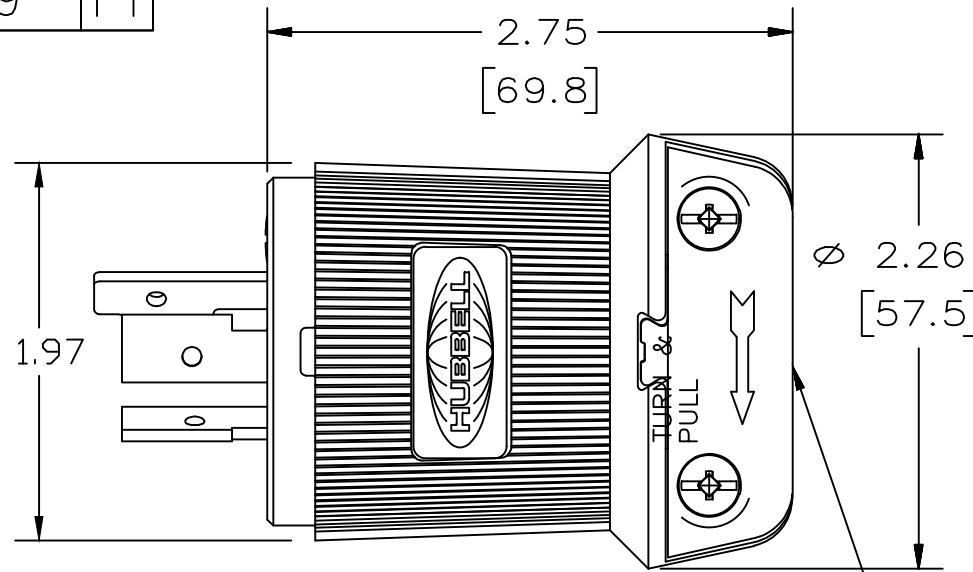
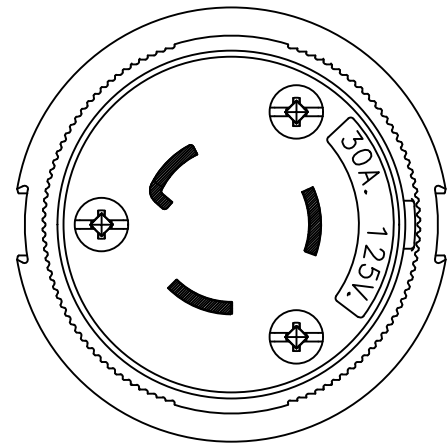
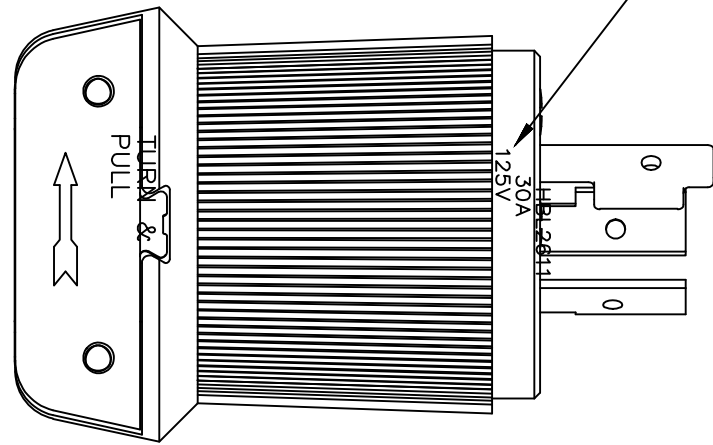


M-7899 11

CAT NO. & RATING PRINTED ON BLADE HOLDER, COLOR CODE BY VOLTAGE



CORD CLAMP RANGE
 CORD: 16/3 - 8/3
 TYPE S
 14/3 - 10/3
 TYPE SJ
 DIAMETER RANGE:
 ø.360-.930
 [9.14-23.62]

NEMA NO.	RATING	POLE/WIRE	CAT. NO.	CONFIGURATION	VOLTAGE COLOR CODE
L5-30P	125V	2P/3W GROUNDING	HBL2611 HBL2611F HBL26CM11 [B] HBL2611BK [C]		YELLOW
L6-30P	250V	2P/3W GROUNDING	HBL2621 HBL26CM21 [B] HBL2621BK [C] HBL2621EBK [C][D]		BLUE
L7-30P	277VAC	2P/3W GROUNDING	HBL2631		GRAY
L8-30P	480VAC	2P/3W GROUNDING	HBL2641		RED
L9-30P	600VAC	2P/3W GROUNDING	HBL2651		BLACK
L25-30P	240VAC	2P/3W GROUNDING	HBL2601		BLUE

NOTES:

- ALL SCREWS ARE COMBINATION PHILLPS/SLOTTED/ROBERTSON HEAD.
- ALL DEVICES ARE UL LISTED, CSA CERTIFIED AND FED SPEC.
- COMPONENT FINISHES:
 - [A] WHITE FINISH ON NEUTRAL BLADE WHEN USED.
 - [B] CM DEVICES (CORROSION RESISTANT) SAME AS ABOVE EXCEPT: COVER AND CORD CLAMP - YELLOW
TERMINAL SCREWS & BLADES - NICKEL PLATED
WIRE CLAMPS - BRASS, NICKEL PLATE
ASSEM FASTENERS - STAINLESS STEEL
 - [C] BK DEVICES SAME AS ABOVE EXCEPT ALL BLACK.
 - [D] E DEVICES PROVIDED WITH CORD CLAMP INSERTS.

LIST OF PARTS		
DESCRIPTION	MATERIAL	FINISH
COVER	NYLON	BLACK
CORD CLAMP	NYLON	NATURAL
BLADE HOLDER	NYLON	NATURAL
RETAINER	POLY	CLEAR
BLADE	CARBONATE	
	.070	BRASS
WIRE CLAMP	.080	NICKEL PLATE
	CRS	
#10 TERMINAL SCREWS	BRASS	[A]
#10 GROUND SCREWS	BRASS	GREEN
ASSEMBLY FASTENERS	STEEL	ZINC PLATE
DUST SHIELD	TPE	BLACK

SYM	REVISIONS	APP	DATE
11	ADDED L25-30P TO TABLE PER DCN 22357 JZW	TLS	8/29/16
10	DIM. 1.970±.015 [50.0±.38] WAS ø1.97 [50.0]. REPLACED DWG. FORMAT. PER DCN 20773 SPN	PJB	11/4/14
9	ADDED DUST SHIELD TO LIST OF PARTS PER DCN 15675 SPN	DJP	4/22/09
8	ADDED "HBL2621EBK" & "D" TO NOTE 3 PER DCN 14136 RCM	JPP	8/1/07
7	REMOVED TOLS. & REVISED DIMS. TO .XX [.X] PER DCN 11902 RCM	JPP	1/6/05

THE DESIGN AND DIMENSIONS OF THE PRODUCT SHOWN ON THIS DRAWING ARE SUBJECT TO CHANGE WITHOUT NOTICE

TITLE
 30A 3-WIRE
 TWIST-LOCK PLUG

TOLERANCES UNLESS OTHERWISE SPECIFIED .XX = ±.01 .XXX = ±.005 ANGLES = ±2°	WIRING DEVICE-KELLEMS HUBBELL INCORPORATED SHELTON, CT	
	DR. BY B.C.	APP. BY ZIMM
	TR. BY	SCALE NONE
	CHK. BY ZIMM	DATE 3/2/98

LEGEND: IN. [mm]

HUBBELL ILLINOIS, INC. REPAIRABLE NON-REPAIRABLE B M-7899 11