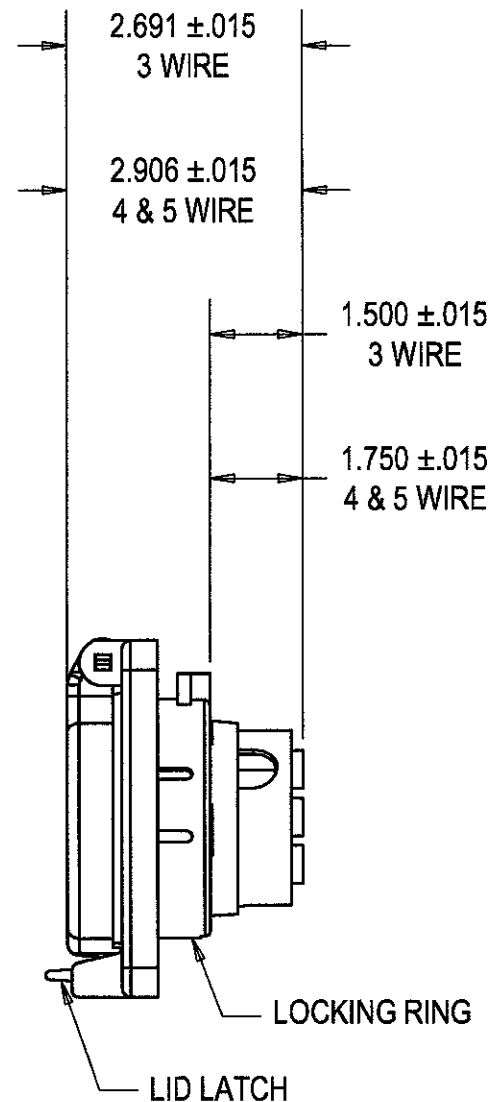
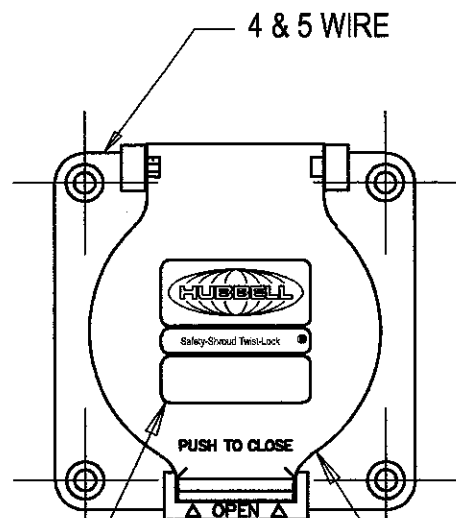
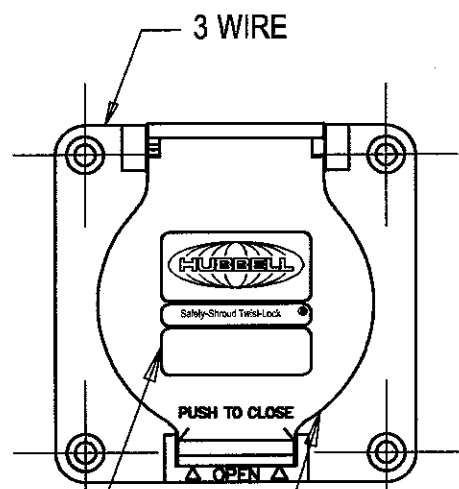
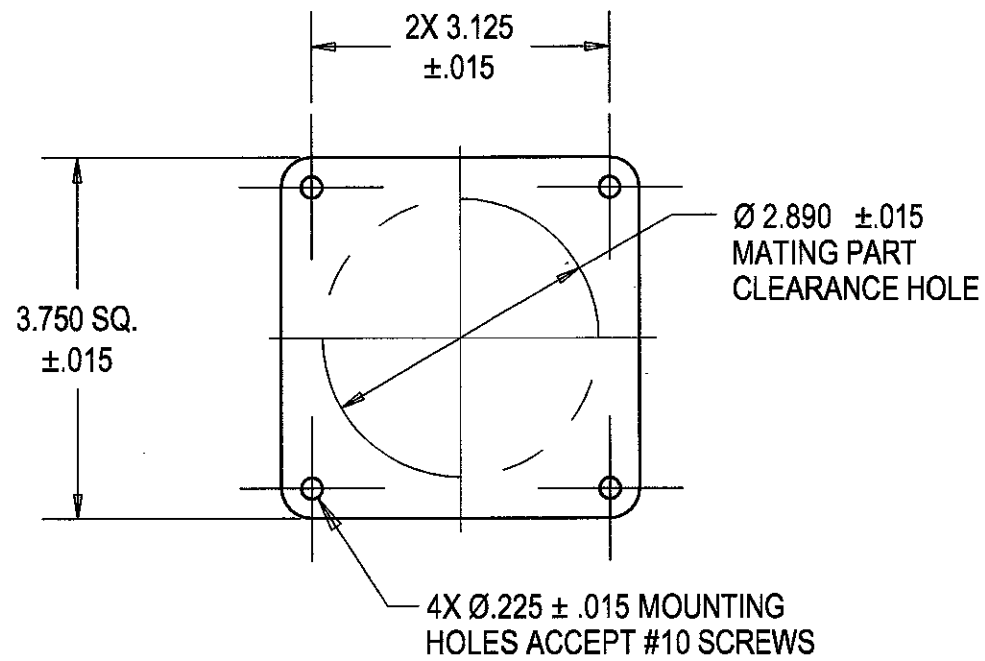


M-9228 1



CATALOG No. AND RATING LABEL

CATALOG No. AND RATING LABEL

RECEPTACLE LID

RECEPTACLE LID

LID LATCH

	INLET ¹		CONFIGURATION RATING		MATING ¹ CONNECTOR		MATING NEMA CONNECTOR ²		IEC COLOR CODE	
	CATALOG #				CATALOG #	NEMA #	HUBBELL			
3 WIRE	HBL2315SWR		20A 125V		HBL2313SR	L5-20R	2313		YELLOW	
	HBL2325SWR		20A 250V		HBL2323SR	L6-20R	2323		BLUE	
	HBL2335SWR		20A 277VAC		HBL2333SR	L7-20R	2333		GRAY	
4 WIRE	HBL2415SWR		20A 125/250V		HBL2413SR	L14-20R	2413		ORANGE	
	HBL2425SWR		20A 250V 3Ø		HBL2423SR	L15-20R	2423		BLUE	
	HBL2435SWR		20A 480V 3Ø		HBL2433SR	L16-20R	2433		RED	
5 WIRE	HBL2515SWR		20A 120/208V 3ØY		HBL2513SR	L21-20R	2513		BLUE	
3 WIRE	HBL2615SWR		30A 125V		HBL2613SR	L5-30R	2613		YELLOW	
	HBL2625SWR		30A 250V		HBL2623SR	L6-30R	2623		BLUE	
4 WIRE	HBL2715SWR		30A 125/250V		HBL2713SR	L14-30R	2713		ORANGE	
	HBL2725SWR		30A 250V 3Ø		HBL2723SR	L15-30R	2723		BLUE	
	HBL2735SWR		30A 480V 3Ø		HBL2733SR	L16-30R	2733		RED	
5 WIRE	HBL2745SWR		30A 600V 3Ø		HBL2743SR	L17-30R	2743		BLACK	
	HBL2815SWR		30A 120/208V 3ØY		HBL2813SR	L21-30R	2813		BLUE	

¹TYPES 4,4X,12 WHEN CLOSED OR CONNECTED

²TYPES 1 WHEN CONNECTED

U.L. LISTED
CSA CERTIFIED

CODE 74545

LIST OF PARTS

DESCRIPTION	MATERIAL	FINISH
INLET HOUSING	PBTP	
HOUSING, LID	PBTP	
LOCKING RING	PBTP	
GASKET	CBR	
BLADE HOLDER	PA 66	
SCREWS	302 SS	

1	10/24/03 "X" REMOVED; LAST X-REVISION WAS X-0. RELEASED FOR PRODUCTION PER DCN #11263. JMN <i>RJB</i>	JPP	10/24/03
SYM	REVISIONS	APP	DATE

THE DESIGN AND DIMENSIONS OF THE PRODUCT SHOWN ON THIS DRAWING ARE SUBJECT TO CHANGE WITHOUT NOTICE

TITLE SAFETY-SHROUD™ TWIST-LOCK® REVERSE SERVICE INLETS

TOLERANCES UNLESS OTHERWISE SPECIFIED FRACTIONS ±1/64 DECIMALS ±.005 ANGLES ±2	WIRING DEVICE-KELLEMS HUBBELL INCORPORATED BRIDGEPORT, CT	
	DR. BY JMN	APP. BY JPP
	TR. BY	SCALE 1:2
	CHK'D BY JPP	DATE 10/24/03

DIMENSION SHEET FOR CAT. NO. SEE TABLE
 REPAIRABLE NON-REPAIRABLE
 B M-9228 1