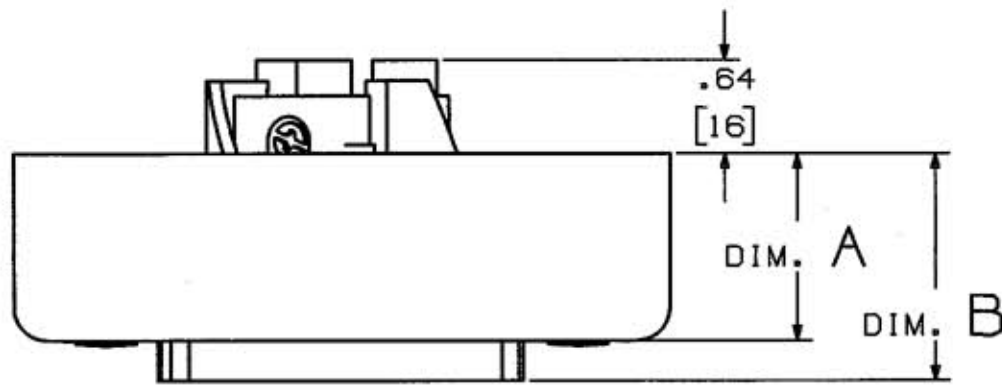
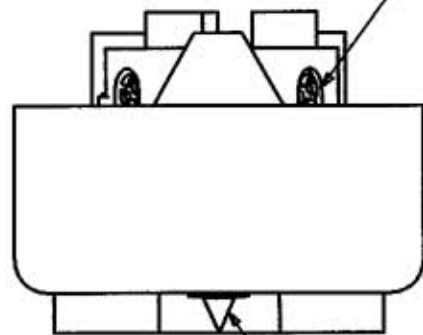


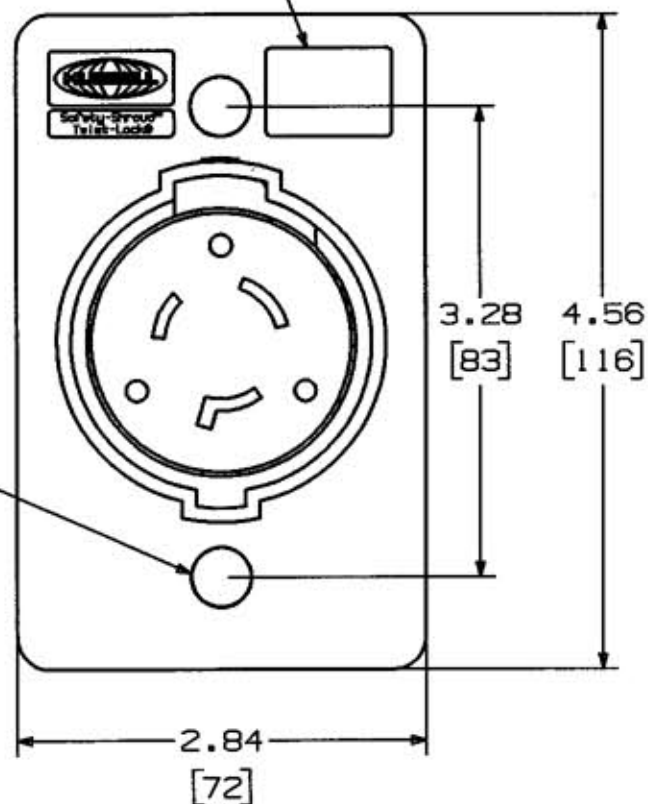
M-7367 3

ALL SCREWS ARE COMBINATION PHILLIPS/
SLOTTED/ROBERTSON HEAD, WITH THE
EXCEPTION OF GROUND WIRE SET SCREW
ON 5-WIRE DEVICES ONLY; A SLOTTED
HEAD SET SCREW IS USED.



ARROW INDICATES LOCKED
AND UNLOCKED STATUS
WHEN MATED WITH HUBBELL
SAFETY-SHROUD™ OR
WATERTIGHT SAFETY-SHROUD™
TWIST-LOCK Ⓞ MALE PLUG

CAT. NO. & RATING ARE
PERMANENTLY MARKED
AND ARE COLOR-CODED
BY VOLTAGE



VALOX SCREW CAPS
ARE PROVIDED TO
COVER SCREW
MOUNTING HOLES.

NOTE: INCHES
[MM]

SAFETY-SHROUD™ TWIST-LOCK® RATING TABULATION

NEMA NO.	CAT. NO.	COLOR CODE	POLES/WIRES	AMPS	VOLTS	DIM 'A'	DIM 'B'
L5-20R	HBL2310SR	YELLOW	2 POLE 3 WIRE	20	125	1.30 [33]	1.58 [40]
L6-20R	HBL2320SR	BLUE		20	250	1.30 [33]	1.58 [40]
L7-20R	HBL2330SR	GRAY		20	277 VAC	1.30 [33]	1.58 [40]
L5-30R	HBL2610SR	YELLOW	3 POLE 4 WIRE	30	125	1.30 [33]	1.58 [40]
L6-30R	HBL2620SR	BLUE		30	250	1.30 [33]	1.58 [40]
L14-20R	HBL2410SR	ORANGE		20	125/250	1.43 [36]	1.71 [43]
L15-20R	HBL2420SR	BLUE		20	3 ∅ 250	1.43 [36]	1.71 [43]
L16-20R	HBL2430SR	RED		20	3 ∅ 480	1.43 [36]	1.71 [43]
L14-30R	HBL2710SR	ORANGE		30	125/250	1.43 [36]	1.71 [43]
L15-30R	HBL2720SR	BLUE	4 POLE 5 WIRE	30	3 ∅ 250	1.43 [36]	1.71 [43]
L16-30R	HBL2730SR	RED		30	3 ∅ 480	1.43 [36]	1.71 [43]
L17-30R	HBL2740SR	BLACK		30	3 ∅ 600	1.43 [36]	1.71 [43]
L21-20R	HBL2510SR	BLUE	4 POLE 5 WIRE	20	3 ∅ Y 120/208	1.43 [36]	1.71 [43]
L21-30R	HBL2810SR	BLUE		30	3 ∅ Y 120/208	1.43 [36]	1.71 [43]

LIST OF PARTS

DESCRIPTION	MATERIAL	FINISH
RECEPTACLE HOUSING	VALOX 357	GRAY
CLOSURE CAPS	VALOX 357	GRAY
SCREW, INTERIOR MTG	STEEL	NICKEL PLATE
SCREW, #6-32 MTG	STEEL	NICKEL PLATE
INTERIOR ASSEMBLY		
TERMINAL SCREWS	BRASS	VARIES
TERMINAL CLAMP	STEEL	NICKEL PLATE
CONNECTOR BODY	NYLON	NATURAL
RETAINER	POLYCARBONATE	CLEAR
CONTACT SPRINGS	BRASS	BRIGHT DIP

NOTES:

- UNLESS OTHERWISE SPECIFIED, ALL SCREWS ARE COMBINATION ROBERTSON/PHILLIPS/SLOTTED HEAD.
- ALL TERMINAL SCREWS AND CLAMPS HAVE #10-32 THREADS.
- FINISH ON TERMINAL SCREWS ARE AS FOLLOWS:
BRIGHT BRASS: LINE(S)
NICKEL PLATED: NEUTRAL
GREEN: GROUND
BLACK: LINE(S)
- MOUNTS TO SINGLE-GANG STANDARD OR FD ELECTRICAL BOX.

3	ADDED NEMA NO. TO TABLE; RELOCATED SIDE VIEW & TABLE; "SEE TABLE" WAS "STRAIGHT SAFETY-SHROUD TWIST-LOCK CATALOG NOS." REVISED TITLE; DEC. DIM WAS FRACTION PER DCN 8885 RCM	TCM	11/14/01
2	REVISED TO TRI-DRIVE SCREWS; REVISED NOTE 1 PER DCN 7633 RCM	DVB	6/21/00
1	RELEASED PER EC-3820 TRJS	MDM	7/05/95
SYM	REVISIONS	APP	DATE

THE DESIGN AND DIMENSIONS OF THE
PRODUCT SHOWN ON THIS DRAWING ARE
SUBJECT TO CHANGE WITHOUT NOTICE

TITLE
SAFETY-SHROUD™ TWIST-LOCK Ⓞ RECEPTACLES
SURFACE MOUNT, ONE GANG

TOLERANCES UNLESS OTHERWISE SPECIFIED		WIRING DEVICE-KELLEMS HUBBELL INCORPORATED BRIDGEPORT, CT	
FRACTIONS	± 1/64	DR. BY	MDM
DECIMALS	± .005	APP. BY	TRJS
ANGLES	± 2°	TR. BY	SCALE NONE
		CHK'D BY	TRJS
		DATE	7/5/95