

M-7319

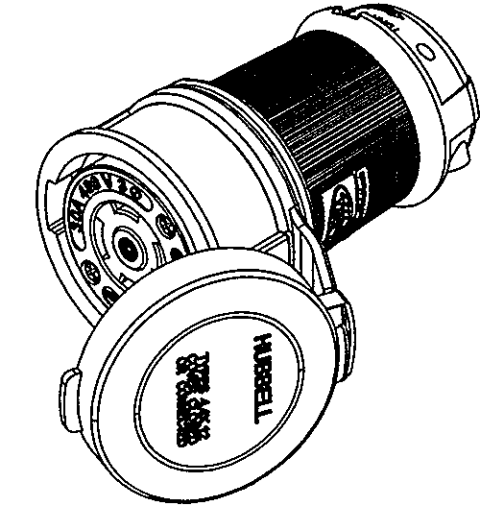
7

	CONNECTOR <sup>1</sup>		CONFIGURATION RATING	MATING <sup>2</sup>	MATING <sup>2</sup>	MATING NEMA <sup>3</sup>		IEC COLOR CODE
	CATALOG #			PLUG	INLET	PLIUG		
	CATALOG #			CATALOG #	CATALOG #	NEMA #	HUBBELL #	
3 WIRE	HBL2313SW		20A 125V	HBL2311SW	HBL2315SW	L5-20P	HBL2311	YELLOW
	HBL2323SW		20A 250V	HBL2321SW	HBL2325SW	L6-20P	HBL2321	BLUE
	HBL2333SW		20A 277VAC	HBL2331SW	HBL2335SW	L7-20P	HBL2331	GRAY
4 WIRE	HBL2413SW		20A 125/250V	HBL2411SW	HBL2415SW	L14-20P	HBL2411	ORANGE
	HBL2423SW		20A 250V 3Ø	HBL2421SW	HBL2425SW	L15-20P	HBL2421	BLUE
	HBL2433SW		20A 480V 3Ø	HBL2431SW	HBL2435SW	L16-20P	HBL2431	RED
5 WIRE	HBL2513SW		20A 120/208V 3ØY	HBL2511SW	HBL2515SW	L21-20P	HBL2511	BLUE
3 WIRE	HBL2613SW		30A 125V	HBL2611SW	HBL2615SW	L5-30P	HBL2611	YELLOW
	HBL2623SW		30A 250V	HBL2621SW	HBL2625SW	L6-30P	HBL2621	BLUE
	HBL2713SW		30A 125/250V	HBL2711SW	HBL2715SW	L14-30P	HBL2711	ORANGE
4 WIRE	HBL2723SW		30A 250V 3Ø	HBL2721SW	HBL2725SW	L15-30P	HBL2721	BLUE
	HBL2733SW		30A 480V 3Ø	HBL2731SW	HBL2735SW	L16-30P	HBL2731	RED
	HBL2743SW		30A 600V 3Ø	HBL2741SW	HBL2745SW	L17-30P	HBL2741	BLACK
5 WIRE	HBL2813SW		30A 120/208V 3ØY	HBL2811SW	HBL2815SW	L21-30P	HBL2811	BLUE
	HBL2823SW		30A 277/408V 3ØY	HBL2821SW	-	L22-30P	HBL2821	RED

<sup>1</sup> DOES NOT MATE WITH NEMA INLETS <sup>2</sup> TYPES 4, 4X, 12 WHEN CONNECTED <sup>3</sup> TYPE 1 WHEN CONNECTED

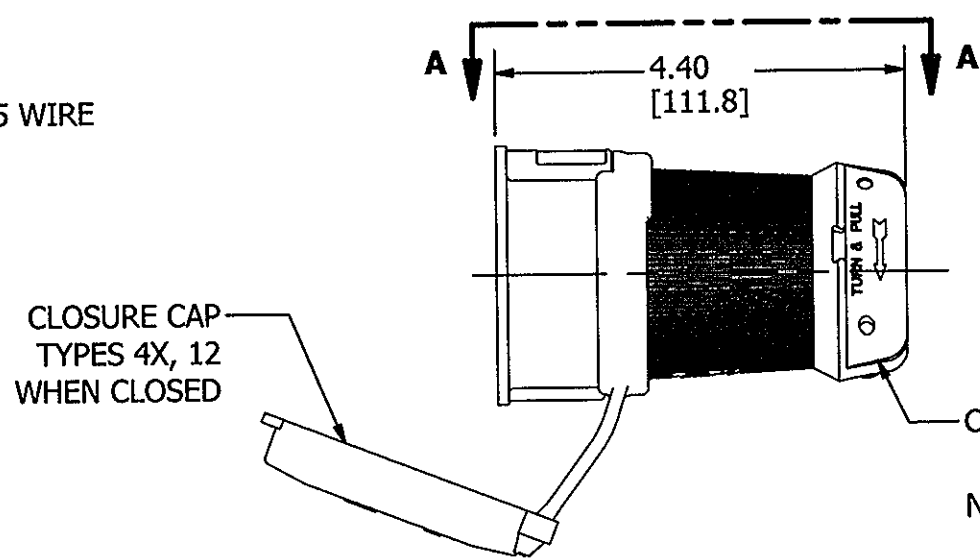
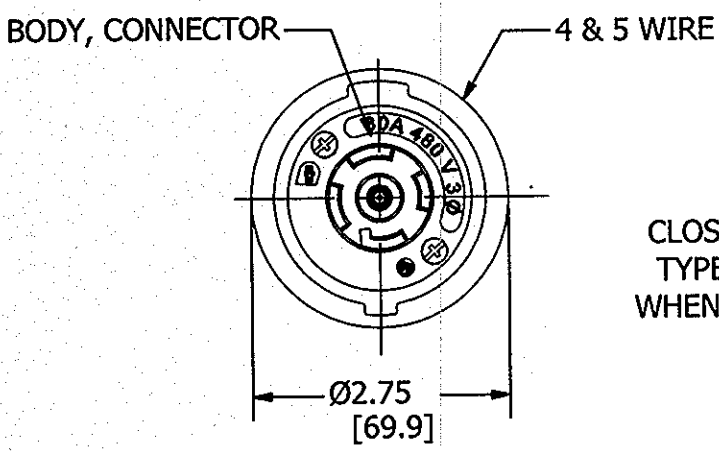
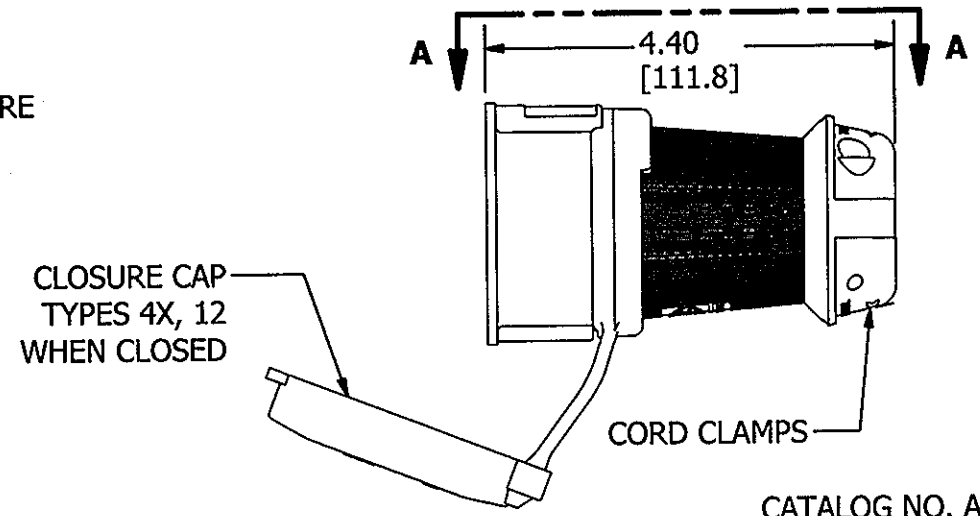
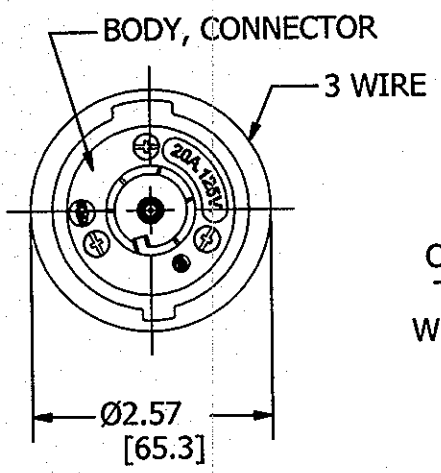
LIST OF PARTS		
DESCRIPTION	MATERIAL	FINISH
CONN HOUSING	PBTP	
CORD CLAMPS	PBTP	
SEALS	CBR	
CLOSURE CAP	CBR	
BODY, CONN	PA 66	
SCREWS	302 SS	

DIMENSION SHEET FOR CAT. NO. SEE TABLE



**CATALOG NO. HBL2733SW (NOT SHOWN TO SCALE)**

REPAIRABLE  NON-REPAIRABLE  **B**



NOTES: (UNLESS OTHERWISE SPECIFIED)  
1) DIMENSIONS ARE INCHES [mm].  
2) U.L. LISTED, C.S.A. CERTIFIED.

7	REDRAWN WITH EMBEDDED CAD MODEL WITH NO CHANGES TO PART GEOMETRY. PER DCN 21895 SPN	DJP	2/5/16
REV	DESCRIPTION	APP	DATE

THE DESIGN AND DIMENSIONS OF THE PRODUCT SHOWN ON THIS DRAWING ARE SUBJECT TO CHANGE WITHOUT NOTICE

TITLE  
**SAFETY-SHROUD™ TWIST-LOCK® CONNECTORS**

TOLERANCES UNLESS OTHERWISE SPECIFIED				WIRING DEVICE-KELLEMS HUBBELL INCORPORATED SHELTON, CT			
.XX = ± .01	.XXX = ± .005	ANGLES = ± 2°		DR. BY EEM	APP. BY JCA		
				TR. BY	SCALE 1:2		
				CHK. BY JCA	DATE 10/5/94		

M-7319

7