

M-7912 4

NEMA NO.	RATING	POLE/WIRE	CAT NO.	VOLTAGE COLOR CODE
L14-30R	125/250V	3P/4W GROUNDING	HBL2716	ORANGE
L15-30R	3 $\phi$ 250VAC	3P/4W GROUNDING	HBL2726	BLUE
L16-30R	3 $\phi$ 480VAC	3P/4W GROUNDING	HBL2736	RED
L17-30R	3 $\phi$ 600VAC	3P/4W GROUNDING	HBL2746	BLACK
L18-30R	3 $\phi$ Y 120/208VAC	4P/4W NON-GROUNDING	HBL2756	BLUE
L19-30R	3 $\phi$ Y 277/480VAC	4P/4W NON-GROUNDING	HBL2766	RED
L20-30R	3 $\phi$ Y 347/600VAC	4P/4W NON-GROUNDING	HBL2776	BLACK
L21-30R	3 $\phi$ Y 120/208VAC	4P/5W GROUNDING	HBL2816	BLUE
L22-30R	3 $\phi$ Y 277/480VAC	4P/5W GROUNDING	HBL2826	RED
L23-30R	3 $\phi$ Y 347/600VAC	4P/5W GROUNDING	HBL2836	BLACK

LIST OF PARTS		
DESCRIPTION	MATERIAL	FINISH
CASING	NYLON	NATURAL
CONTACT BODY	NYLON	NATURAL
RETAINER	POLY CARBONATE	CLEAR
CONTACTS	.031 / .040 BRASS	
CENTER GROUND CONTACT & TERMINAL LUG (5 WIRE)	BRASS	
WIRE CLAMP	.080 CRS	NICKEL PLATE
#10 TERMINAL SCREWS	BRASS	*
#10 GROUND SCREW	BRASS	GREEN
ASSEMBLY FASTENERS	STEEL	ZINC PLATE
#8 MOUNTING SCREWS	BRASS	NICKEL PLATE

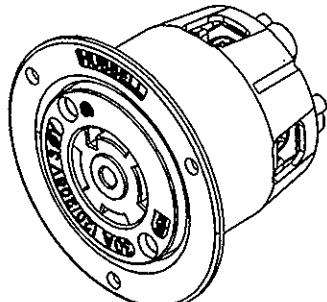
DIMENSION SHEET FOR CAT. NO. SEE TABLE

REPAIRABLE  NON-REPAIRABLE

**B**

M-7912

4



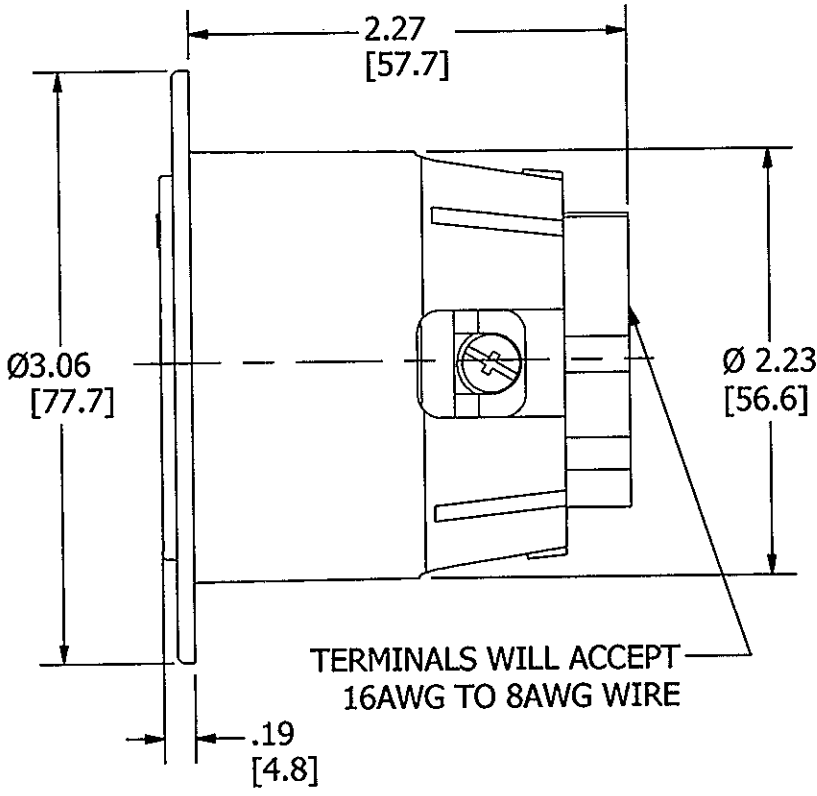
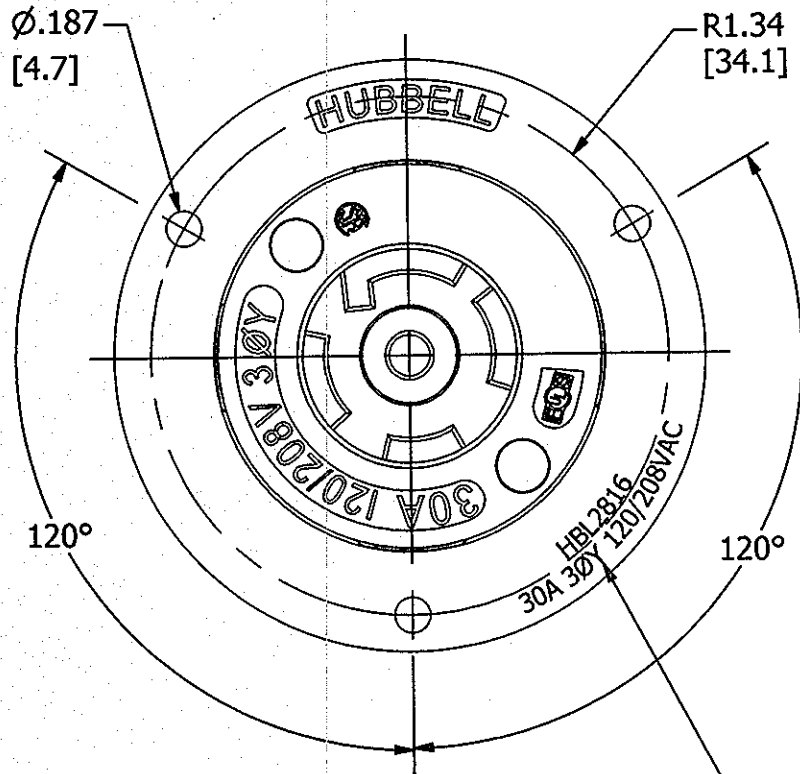
**CATALOG NO. HBL2816 (NOT SHOWN TO SCALE)**

4	REDRAWN WITH EMBEDDED CAD MODEL WITH NO CHANGES TO PART GEOMETRY. PER DCN 21895 SPN	DJP	2/5/16
REV	DESCRIPTION	APP	DATE

THE DESIGN AND DIMENSIONS OF THE PRODUCT SHOWN ON THIS DRAWING ARE SUBJECT TO CHANGE WITHOUT NOTICE

TITLE  
30A 4 & 5 - WIRE TWIST-LOCK FLANGED RECEPTACLE

TOLERANCES UNLESS OTHERWISE SPECIFIED .XX = ± .01 .XXX = ± .005 ANGLES = ± 2°	WIRING DEVICE-KELLEMS HUBBELL INCORPORATED SHELTON, CT			
	DR. BY	B.C	APP. BY	DJP
	TR. BY		SCALE	1:1
	CHK. BY	DJP	DATE	03/02/98



TERMINALS WILL ACCEPT 16AWG TO 8AWG WIRE

CAT NO. & RATING PRINTED ON FLANGE  
COLOR CODE BY VOLTAGE

**NOTES:**

1. DIMENSIONS ARE IN INCHES [mm]
2. ALL SCREWS ARE COMBINATION ROBERTSON / PHILLIPS / SLOTTED HEAD.
3. \* WHITE FINISH ON NEUTRAL CONTACT WHEN USED.