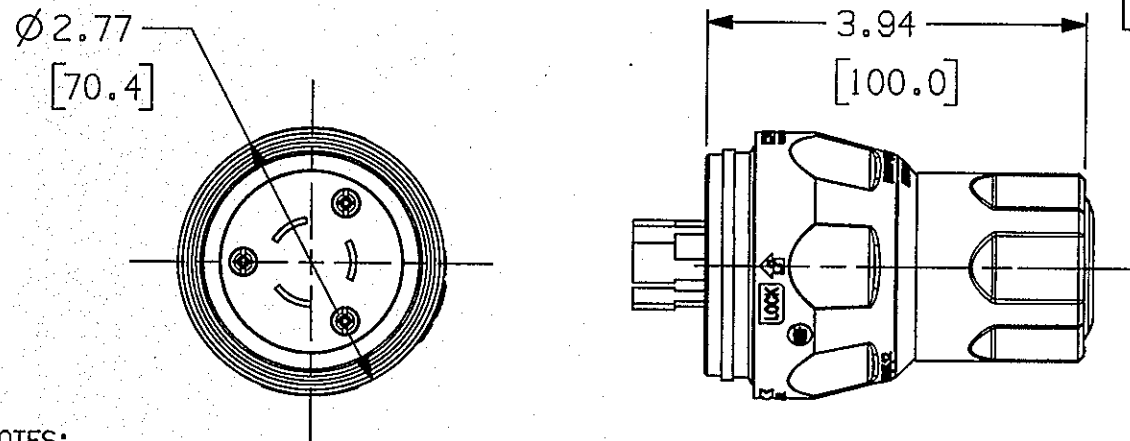
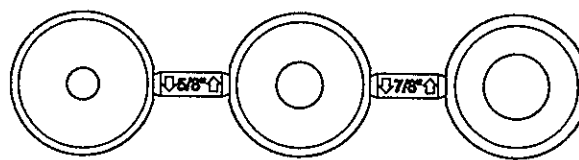
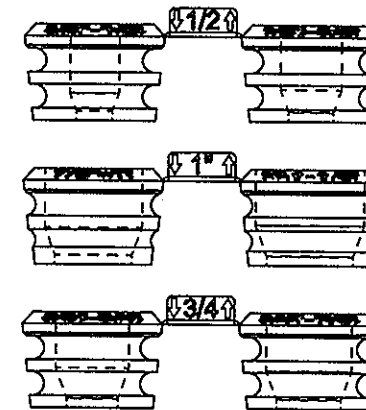


M-12627 3

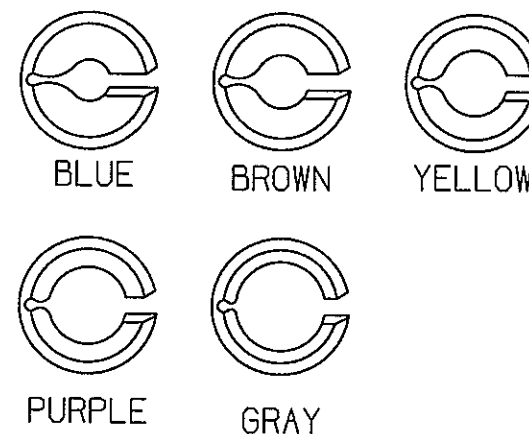


- NOTES:
- DIMENSIONS SHOWN ARE TYPICAL. DIMENSION UNITS: INCHES [mm].
  - DEVICES ARE UL LISTED PER UL 498.
  - DEVICES ARE CSA CERTIFIED PER CSA C22.2 NO.42.
  - DEVICES ARE UL VERIFIED WITH THE CONSTRUCTION & PERFORMANCE REQUIREMENTS OF FEDERAL SPECIFICATION W-C-596H EXCEPT HBL26W09, HBL28W08, & HBL28W09.
  - SIX STRAIN RELIEF BUSHINGS ACCOMMODATE ROUND CORD TYPES S & SJ  
 $\phi 0.375"$  TO  $\phi 1.125"$ , ( $\phi 9.5$  mm TO  $\phi 28.6$  mm):  
 3-WIRE DEVICES: 12/3 SJ TO 10/3 SJ, 16/3 S TO 8/3 S  
 4-WIRE DEVICES: 14/4 SJ TO 10/4 SJ, 18/4 S TO 8/4 S  
 5-WIRE DEVICES: 18/5 S TO 10/5 S
  - CERTAIN DEVICES AVAILABLE IN BLACK.
  - THIS PRODUCT HAS BEEN TESTED TO NEMA ENCLOSURE TYPES 3R, 3RX, 4, 4X, 6, 6P, 12 AND IEC CLASSIFICATION IP67 WHEN THE CLOSURE CAP IS CLOSED OR WHEN MATED WITH AN EQUIVALENT RATED WATERTIGHT DEVICE.  
 WARNING! RISK OF ELECTRICAL SHOCK. DO NOT SUBMERGE.  
 THE ENCLOSURE RATINGS 6, 6P & IP67 OF THIS PRODUCT ARE ONLY INTENDED TO DEMONSTRATE SUPERIOR RESISTANCE TO WATER INGRESS AND NOT FOR SUBMERSION.



CONE SEALS

BUSHINGS



GOTCHA RINGS

CATALOG NO.	HBL28W47	HBL28W48	HBL28W49	HBL28W74	HBL28W75	HBL28W76
NEMA CONFIG						
RATING	30A 125V	30A, 250V	30A, 277V AC	30A 125/250V AC	30A, 3 $\phi$ 250V	30A, 3 $\phi$ 480V
POLES/WIRES	2P/3W GROUNDING	2P/3W GROUNDING	2P/3W GROUNDING	3P/4W GROUNDING	3P/4W GROUNDING	3P/4W GROUNDING

CATALOG NO.	HLB28W77	HBL28W78	HBL28W81	HBL28W82	HBL28W83	HBL28W08	HBL28W09	HBL26W09
NEMA CONFIG						NON-NEMA	NON-NEMA	NON-NEMA
RATING	30A, 3 $\phi$ 600V AC	30A, 3 $\phi$ Y 120/208V AC	30A, 3 $\phi$ Y 120/208V AC	30A, 3 $\phi$ Y 277/480V AC	30A, 3 $\phi$ Y 347/600V AC	30A 125/250V	30A, 3 $\phi$ Y 120/208V	20A, 120/208V
POLES/WIRES	3P/4W GROUNDING	4P/4W GROUNDING	4P/5W GROUNDING	4P/5W GROUNDING	4P/5W GROUNDING	3P/3W NON-GROUNDING	4P/4W NON-GROUNDING	4P/4W NON-GROUNDING

LIST OF PARTS		
DESCRIPTION	MATERIAL	FINISH
PLUG FACE	NYLON	WHITE
TERMINAL COVER	POLYCARB.	CLEAR
BLADES	BRASS	NICKEL
TERMINAL SCREWS	STEEL	
ASSEMBLY SCREWS	SS	
SHELL BODY	TPE	YELLOW/BLACK
SHELL INSERT	NYLON	NATURAL
NUT	PBT	GRAY/BLACK
BUSHINGS	ELASTOMER	BLACK
GOTCHA RING	NYLON	
CONE SEAL	ELASTOMER	BLACK

SYM	REVISIONS	APP	DATE
3	LIST OF PARTS FINISH GRAY/BLACK WAS GRAY. PER DCN 21968 SPN	DJP	3/8/16
2	REVISED NOTES, PART NO'S & LIST OF PARTS PER DCN 20803 MAM	TLN	11/11/2014
1	INITIAL RELEASE PER DCN 20391 WRV		06/2014

SYM	REVISIONS	APP	DATE
3	LIST OF PARTS FINISH GRAY/BLACK WAS GRAY. PER DCN 21968 SPN	DJP	3/8/16
2	REVISED NOTES, PART NO'S & LIST OF PARTS PER DCN 20803 MAM	TLN	11/11/2014
1	INITIAL RELEASE PER DCN 20391 WRV		06/2014

THE DESIGN AND DIMENSIONS OF THE PRODUCT SHOWN ON THIS DRAWING ARE SUBJECT TO CHANGE WITHOUT NOTICE

TITLE  
WATERTIGHT PLUGS  
CUSTOMER DRAWING

TOLERANCES UNLESS OTHERWISE SPECIFIED	WIRING DEVICE-KELLEMS HUBBELL INCORPORATED SHELTON, CT	
.XX = ±.01	DR. BY WRV	APP. BY TLS
.XXX = ±.005	TR. BY	SCALE 1:2
ANGLES = ±2°	CHK. BY TLS	DATE 06/2014