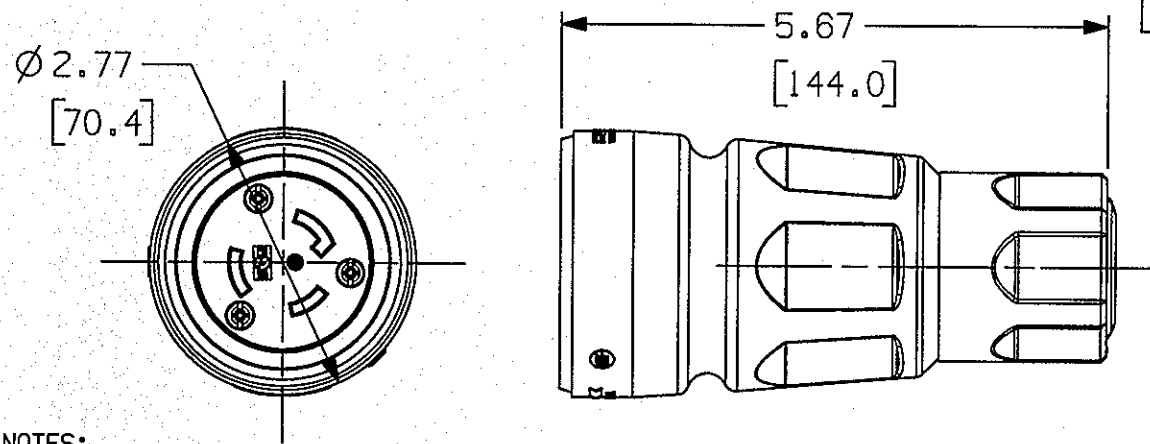
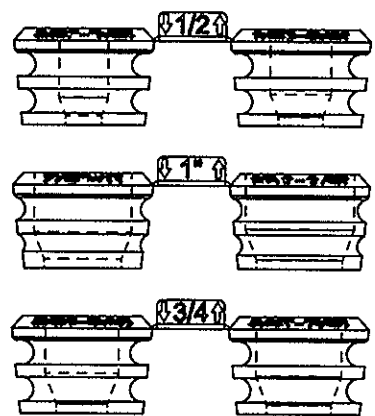


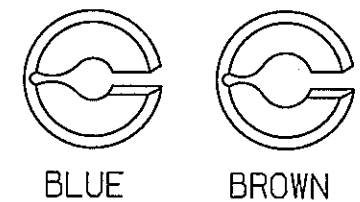
M-12626 3



- NOTES:
- DIMENSIONS SHOWN ARE TYPICAL. DIMENSION UNITS: INCHES [mm].
 - DEVICES ARE UL LISTED PER UL 498.
 - DEVICES ARE CSA CERTIFIED PER CSA C22.2 NO.42.
 - DEVICES ARE UL VERIFIED WITH THE CONSTRUCTION & PERFORMANCE REQUIREMENTS OF FEDERAL SPECIFICATION W-C-596H EXCEPT HBL27W09, HBL29W08, & HBL29W09.
 - SIX STRAIN RELIEF BUSHINGS ACCOMMODATE ROUND CORD TYPES S & SJ
 $\phi 0.375"$ TO $\phi 1.125"$, ($\phi 9.5$ mm TO $\phi 28.6$ mm):
 3-WIRE DEVICES: 12/3 SJ TO 10/3 SJ, 16/3 S TO 8/3 S
 4-WIRE DEVICES: 14/4 SJ TO 10/4 SJ, 18/4 S TO 8/4 S
 5-WIRE DEVICES: 18/5 S TO 10/5 S
 - CERTAIN DEVICES AVAILABLE IN BLACK.
 - THIS PRODUCT HAS BEEN TESTED TO NEMA ENCLOSURE TYPES 3R, 3RX, 4, 4X, 6, 6P, 12 AND IEC CLASSIFICATION IP67 WHEN THE CLOSURE CAP IS CLOSED OR WHEN MATED WITH AN EQUIVALENT RATED WATERTIGHT DEVICE.
 WARNING! RISK OF ELECTRICAL SHOCK. DO NOT SUBMERGE.
 THE ENCLOSURE RATINGS 6, 6P & IP67 OF THIS PRODUCT ARE ONLY INTENDED TO DEMONSTRATE SUPERIOR RESISTANCE TO WATER INGRESS AND NOT FOR SUBMERSION.



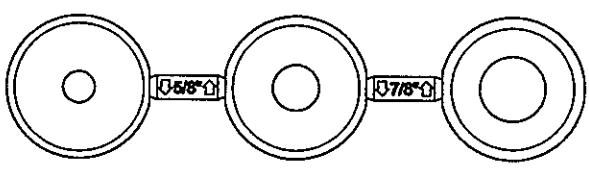
BUSHINGS



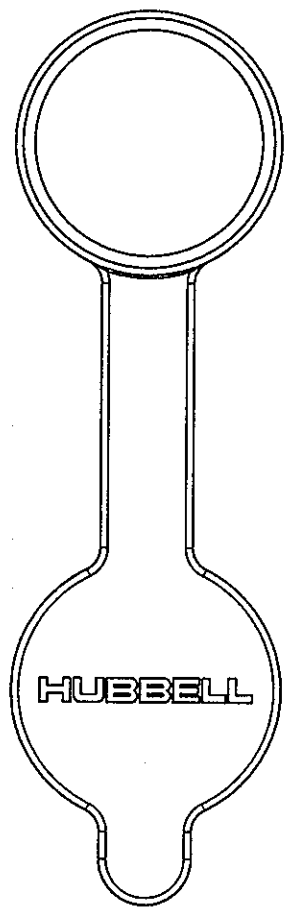
BLUE BROWN



YELLOW PURPLE GRAY
GOTCHA RINGS



CONE SEALS



CONNECTOR SEALING CAP

LIST OF PARTS		
DESCRIPTION	MATERIAL	FINISH
CONNECTOR FACE	NYLON	WHITE
TERMINAL COVER	POLYCARB.	CLEAR
CONTACTS	BRASS	NICKEL
TERMINAL SCREWS	BRASS	NONE/NICKEL/GREEN
ASSEMBLY SCREWS	SS	
SHELL BODY	TPE	YELLOW/BLACK
SHELL INSERT	NYLON	NATURAL
NUT	PBT	GRAY/BLACK
BUSHINGS	ELASTOMER	BLACK
GOTCHA RING	NYLON	
CONE SEAL	ELASTOMER	BLACK
SEALING CAP	TPE	YELLOW/BLACK

CATALOG NO.	HBL29W47	HBL29W48	HBL29W49	HLB29W74	HBL29W75	HBL29W76	HBL27W09
NEMA CONFIG							
	L5-30R	L6-30R	L7-30R	L14-30R	L15-30R	L16-30R	NON-NEMA
RATING	30A 125V	30A, 250V	30A, 277VAC	30A 125/250V AC	30A, 3 ϕ 250V AC	30A, 3 ϕ 480V AC	20A, 120/208V
POLES/WIRES	2P/3W GROUNDING	2P/3W GROUNDING	2P/3W GROUNDING	3P/4W GROUNDING	3P/4W GROUNDING	3P/4W GROUNDING	4P/4W NON-GROUNDING

CATALOG NO.	HLB29W77	HBL29W78	HBL29W81	HBL29W82	HBL29W83	HBL29W08	HBL29W09
NEMA CONFIG							
	L17-30R	L18-30R	L21-30R	L22-30R	L23-30R	NON-NEMA	NON-NEMA
RATING	30A, 3 ϕ 600V AC	30A, 3 ϕ Y 120/208V AC	30A, 3 ϕ Y 120/208V AC	30A, 3 ϕ Y 277/480V AC	30A, 3 ϕ Y 347/600V AC	30A 125/250V	30A, 3 ϕ Y 120/208V
POLES/WIRES	3P/4W GROUNDING	4P/4W GROUNDING	4P/5W GROUNDING	4P/5W GROUNDING	4P/5W GROUNDING	3P/3W NON-GROUNDING	4P/4W NON-GROUNDING

SYM	REVISIONS	APP	DATE
3	LIST OF PARTS FINISH GRAY/BLACK WAS GRAY. PER DCN 21968 SPN	DJP	3/8/16
2	REVISED NOTES, PART NO'S & LIST OF PARTS PER DCN 20803 MAM	TLS	10/27/2014
1	INITIAL RELEASE PER DCN 20391 WRV		06/2014

THE DESIGN AND DIMENSIONS OF THE PRODUCT SHOWN ON THIS DRAWING ARE SUBJECT TO CHANGE WITHOUT NOTICE

TITLE
WATERTIGHT CONNECTOR CUSTOMER DRAWING

TOLERANCES UNLESS OTHERWISE SPECIFIED	WIRING DEVICE-KELLEMS HUBBELL INCORPORATED SHELTON, CT	
.XX = $\pm .01$	DR. BY WRV	APP. BY TLS
.XXX = $\pm .005$	TR. BY	SCALE 1:2
ANGLES = $\pm 2^\circ$	CHK. BY TLS	DATE 06/2014