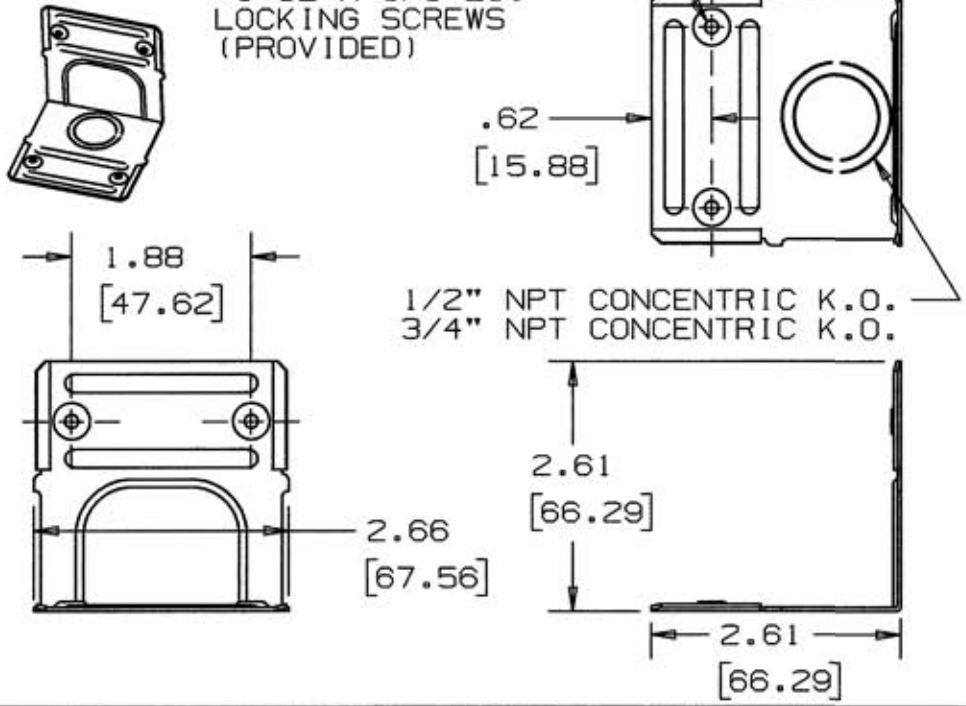
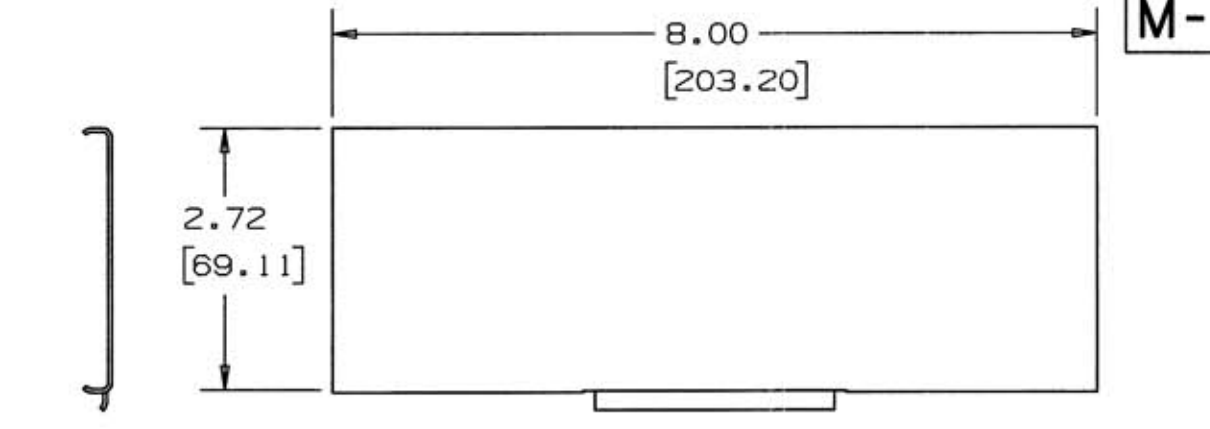


M-10392 2

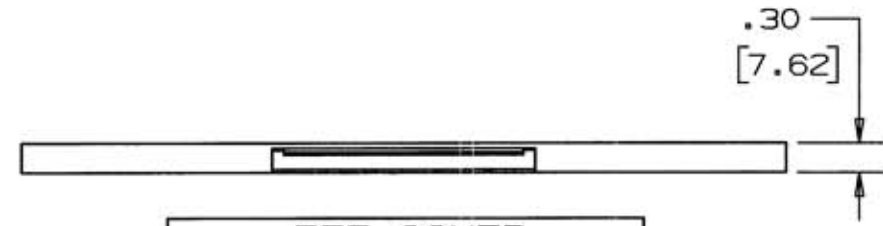
(4) TAPPED HOLES FOR #6-32 X 3/8" LG. LOCKING SCREWS (PROVIDED)



INTERNAL CORNER COUPLING  
 CAT.NO. HBL3017TCEIV & HBL3017TCEGY



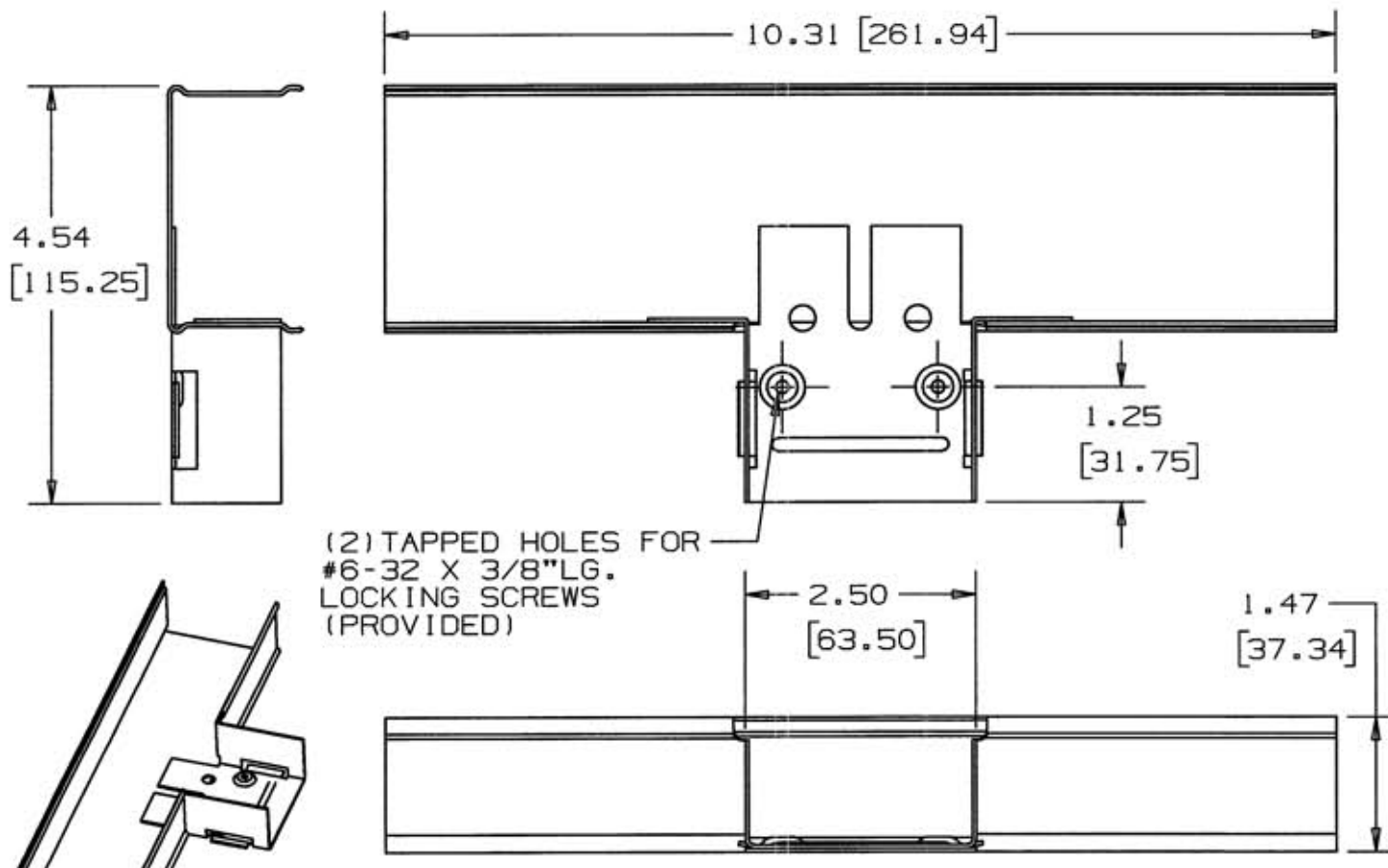
TEE COVER	
CAT. NO.	COLOR
HBL3015EIV	IVORY
HBL3015EGY	GRAY



LIST OF PARTS

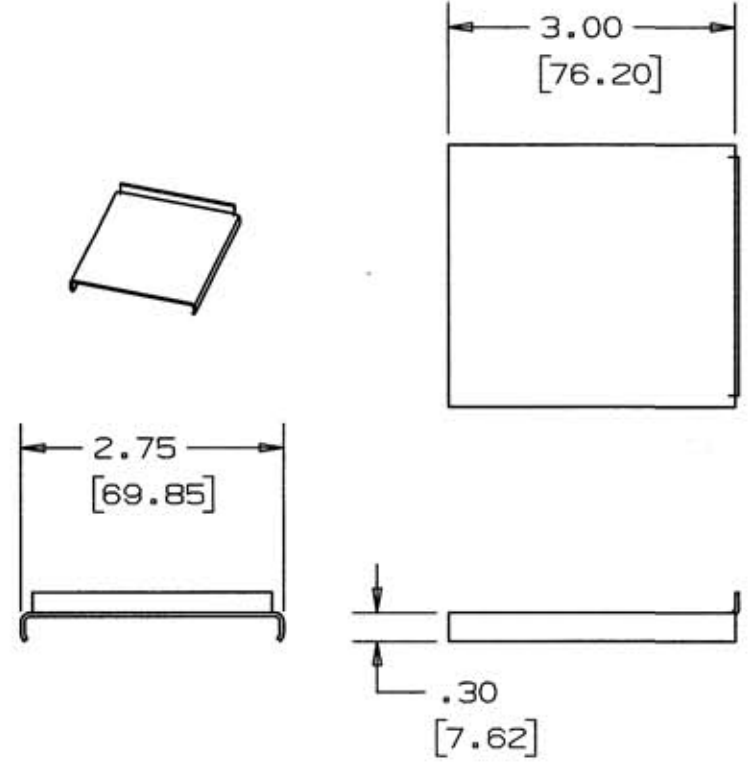
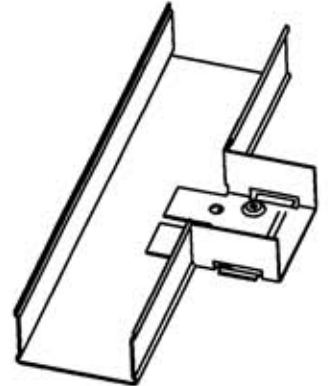
DESCRIPTION	MATERIAL	FINISH
TEE BASE ASSY.	STEEL	PAINTED
TEE COVER	STEEL	PAINTED
INTERNAL CORNER COUPLING	STEEL	GALVANIZED
INTERNAL CORNER COVER	STEEL	PAINTED

DIMENSION SHEET FOR CAT. NO. REPAIRABLE  NON-REPAIRABLE  B M-10392 2



(2) TAPPED HOLES FOR #6-32 X 3/8" LG. LOCKING SCREWS (PROVIDED)

TEE BASE ASSY.	
CAT. NO.	COLOR
HBL3015EIV	IVORY
HBL3015EGY	GRAY



INTERNAL CORNER COVER	
CAT. NO.	COLOR
HBL3017TCEIV	IVORY
HBL3017TCEGY	GRAY

REVISIONS	DESCRIPTION	APP	DATE
2	IN TITLE BLOCK ADDED HBL DCN13911 SRE	SRE	4/23/07
1	RELEASED PER DCN 13553	SRE	11/14/06
SYM	REVISIONS	APP	DATE

THE DESIGN AND DIMENSIONS OF THE PRODUCT SHOWN ON THIS DRAWING ARE SUBJECT TO CHANGE WITHOUT NOTICE

TITLE  
 INTERNAL CORNER & TEE BASE ASSY.  
 HBL3000 SERIES

TOLERANCES UNLESS OTHERWISE SPECIFIED		WIRING DEVICE-KELLEMS HUBBELL INCORPORATED BRIDGEPORT, CT	
FRACTIONS	± 1/64	DR. BY	SRE
DECIMALS	± .005	TR. BY	SCALE 1:1
ANGLES	± 2°	CHK'D BY	SRE DATE 11/14/06

NOTE: ALL DIMENSIONS IN INCHES AND [MM]