

REPAIRABLE NON-REPAIRABLE

B

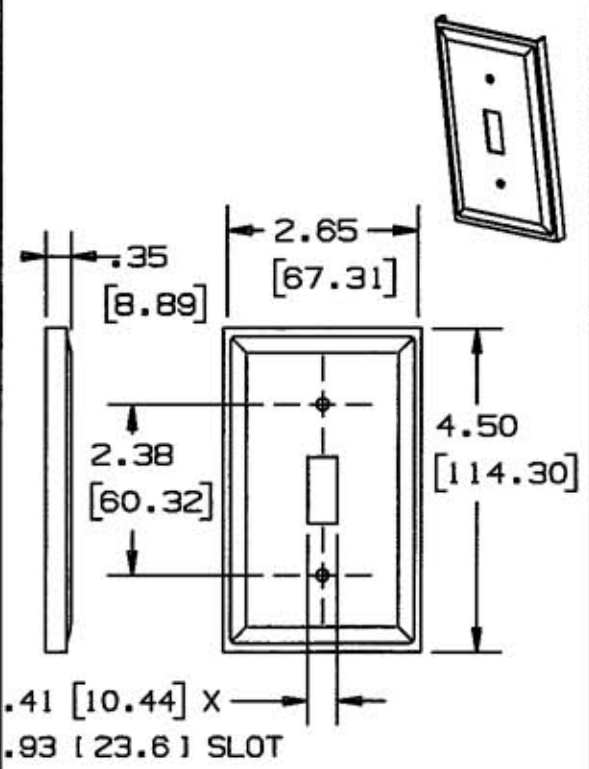
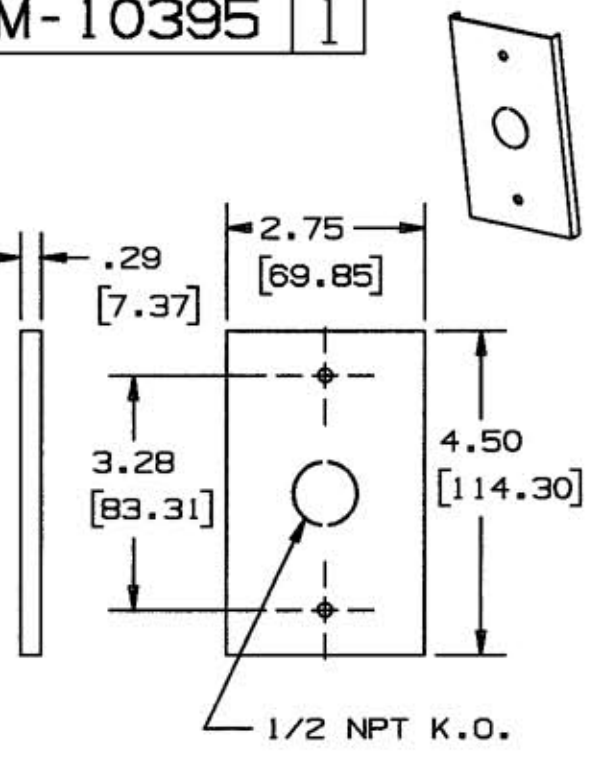
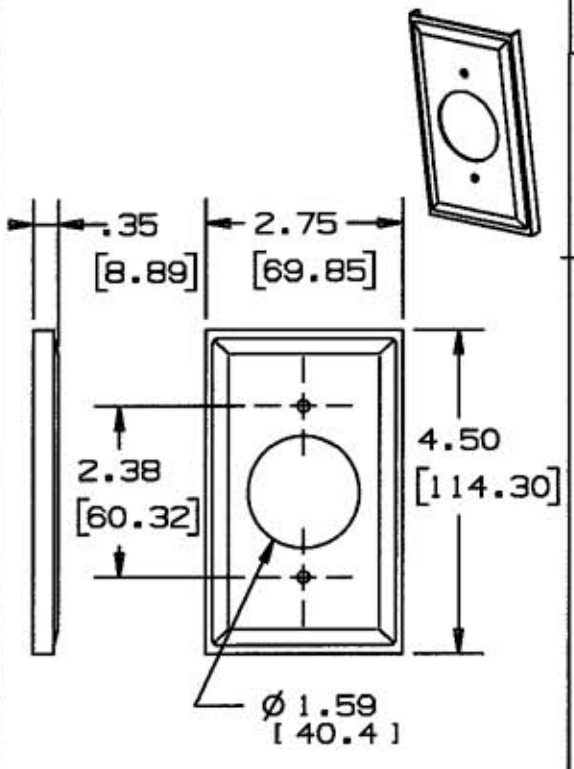
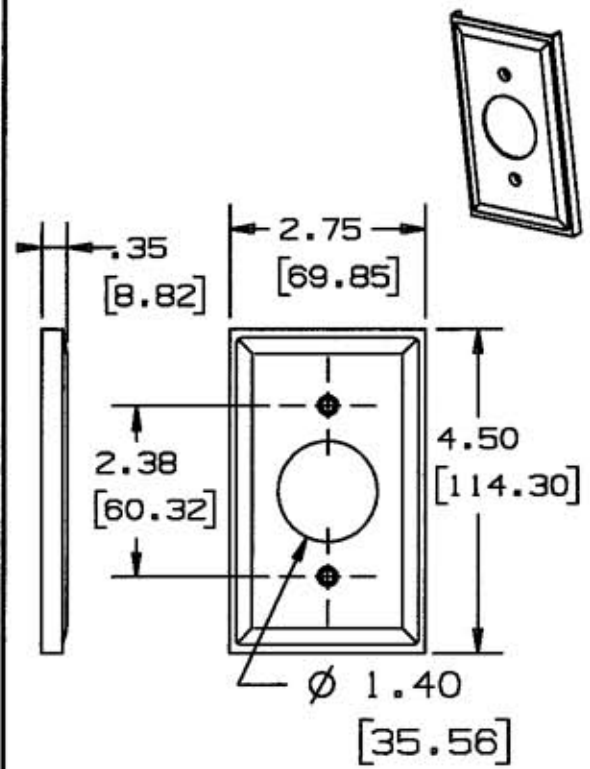
M-10395

1

LIST OF PARTS

| DESCRIPTION | MATERIAL | FINISH |
|-------------------|----------|------------|
| RECEPTACLE COVER | STEEL | PAINTED |
| BLANK COVER | STEEL | PAINTED |
| SWITCH COVER | STEEL | PAINTED |
| DUPLEX COVER | STEEL | PAINTED |
| RECTANGULAR COVER | STEEL | PAINTED |
| EXTENSION COVER | STEEL | PAINTED |
| DEVICE BRACKET | STEEL | GALVANIZED |
| | | |
| | | |
| | | |
| | | |
| | | |
| | | |

M-10395 1

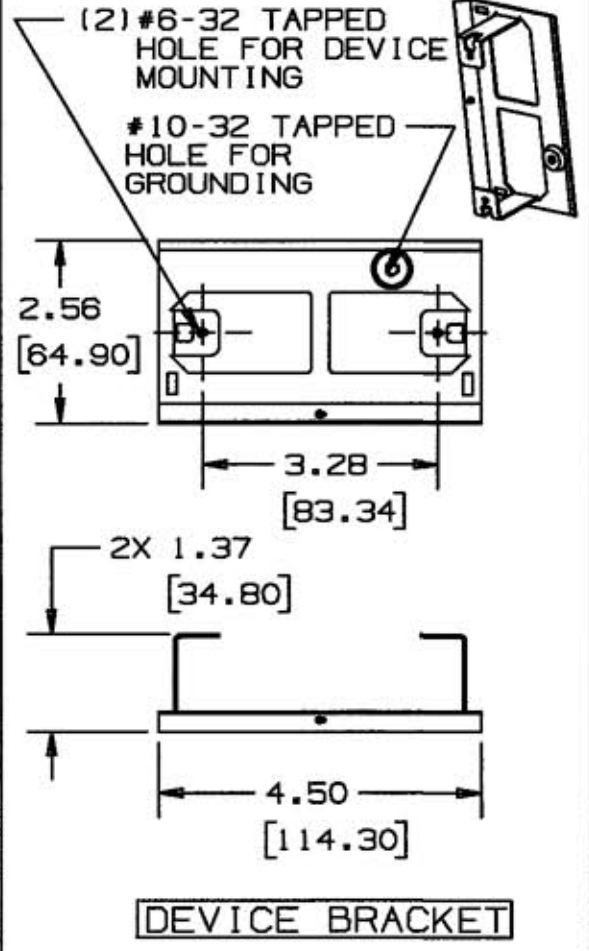
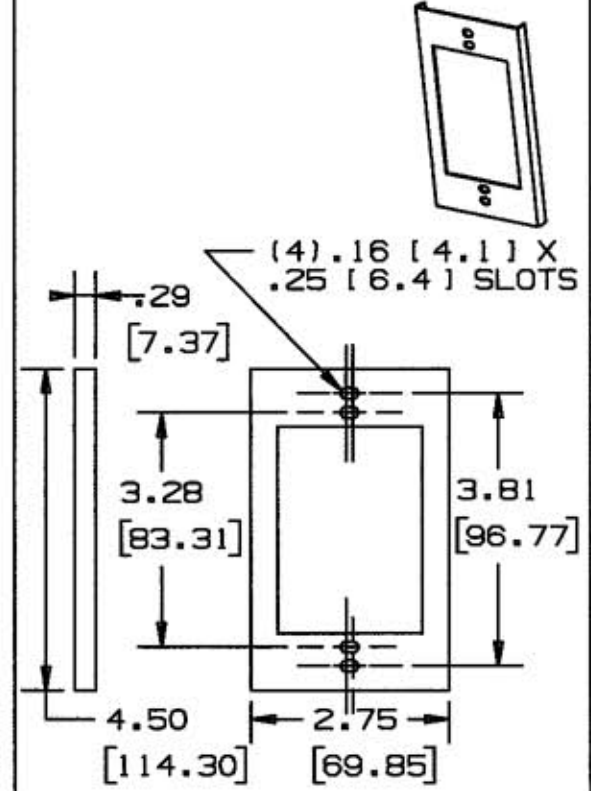
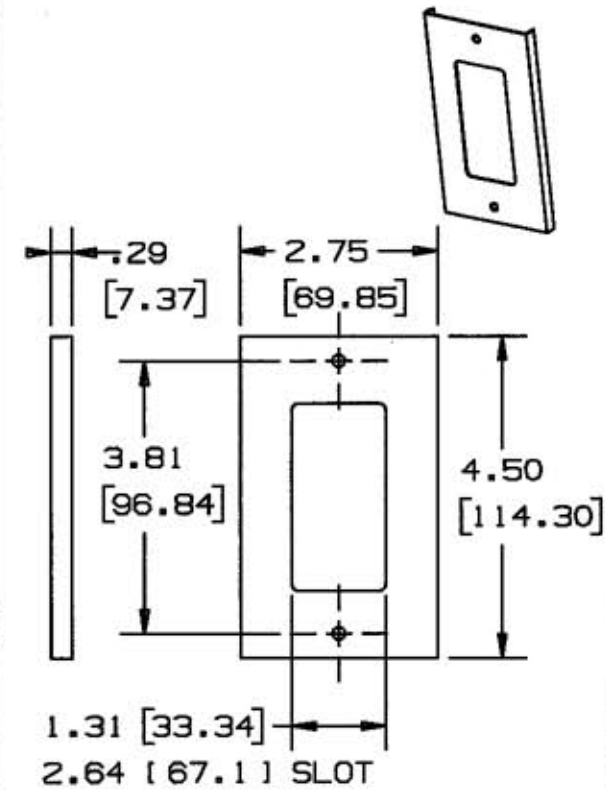
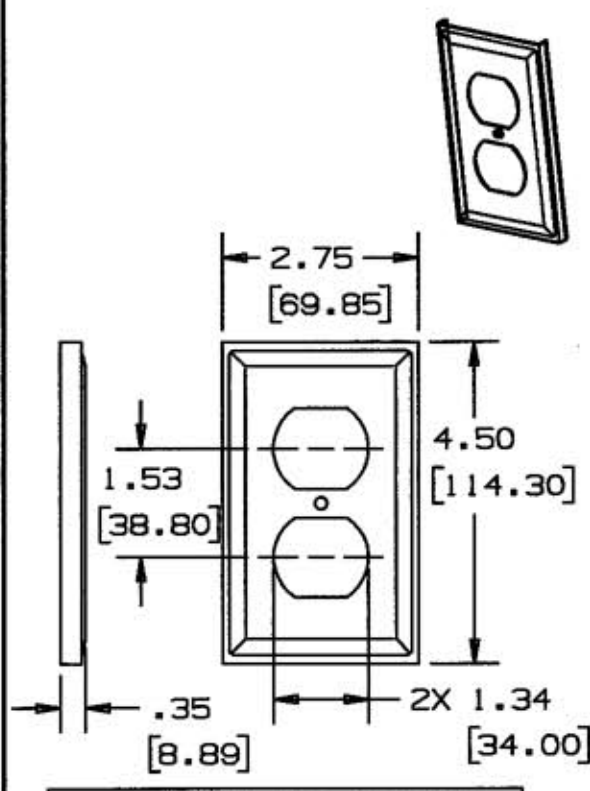


| RECEPTACLE COVER | |
|------------------|-------|
| CAT. NO. | COLOR |
| HBL3027AEIV | IVORY |
| HBL3027AEGY | GRAY |

| RECEPTACLE COVER | |
|------------------|-------|
| CAT. NO. | COLOR |
| HBL3033JEIV | IVORY |
| HBL3033JEGY | GRAY |

| BLANK COVER | |
|-------------|-------|
| CAT. NO. | COLOR |
| HBL3036HEIV | IVORY |
| HBL3036HEGY | GRAY |

| SWITCH COVER | |
|--------------|-------|
| CAT. NO. | COLOR |
| HBL3040CEIV | IVORY |
| HBL3040CEGY | GRAY |



| DUPLEX COVER | |
|--------------|-------|
| CAT. NO. | COLOR |
| HBL3043BEIV | IVORY |
| HBL3043BEGY | GRAY |

| RECTANGULAR COVER | |
|-------------------|-------|
| CAT. NO. | COLOR |
| HBL3048RIV | IVORY |
| HBL3048RGY | GRAY |

| EXTENSION COVER | |
|-----------------|-------|
| CAT. NO. | COLOR |
| HBL3051LEIV | IVORY |
| HBL3051LEGY | GRAY |

DEVICE BRACKET

| | | | |
|-----|------------------------|-----|----------|
| 1 | RELEASED PER DCN 13553 | APP | 11/14/06 |
| SYM | REVISIONS | APP | DATE |

THE DESIGN AND DIMENSIONS OF THE PRODUCT SHOWN ON THIS DRAWING ARE SUBJECT TO CHANGE WITHOUT NOTICE

TITLE RECEPTACLE COVERS HBL3000 SERIES

| | | |
|---|---|---------------------|
| TOLERANCES UNLESS OTHERWISE SPECIFIED FRACTIONS ± 1/64 DECIMALS ± .005 ANGLES ± 2° | WIRING DEVICE-KELLEMS HUBBELL INCORPORATED BRIDGEPORT, CT | |
| | DR. BY SRE | APP. BY [Signature] |
| | TR. BY [Signature] | SCALE 1:1 |
| | CHK'D BY [Signature] | DATE 11/14/06 |

NOTE: ALL DIMENSIONS IN INCH AND [MM]