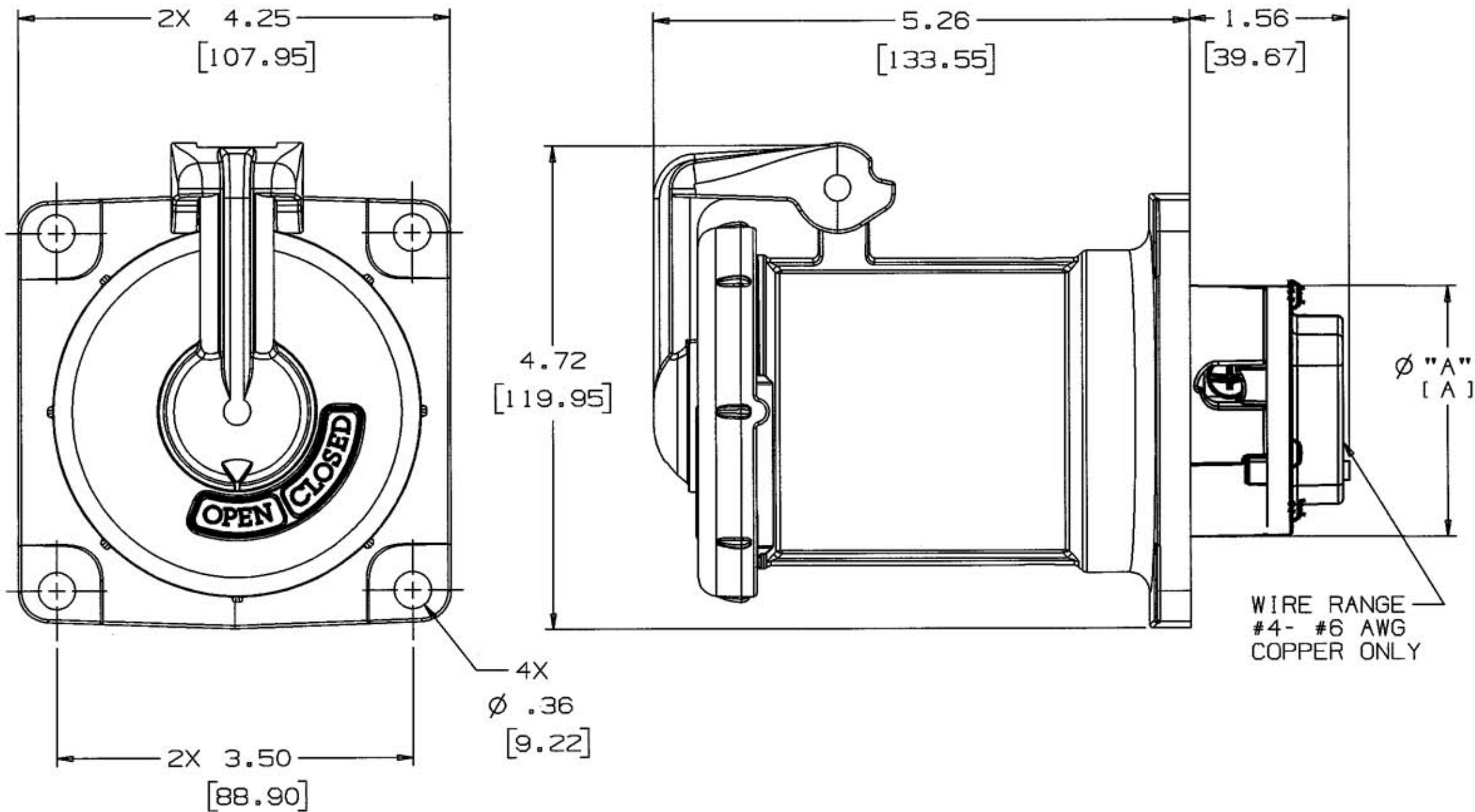


**M-8268** 2



NOTES: (UNLESS OTHERWISE SPECIFIED)

1) DIMENSION FORMAT IS: INCHES  
[ mm ]

AMPS	POLES AND WIRES	MAX VOLTAGE AC/DC	STYLE	Ø "A" [A]	CONNECTOR CATALOG NUMBER
100	2P3W	600/250	S1	2.485 [ 63.12 ]	HBL3100RS1WR
100	3P4W	600/250	S1	2.72 [ 69.1 ]	HBL4100RS1WR
100	2P3W	600/250	S2	2.485 [ 63.12 ]	HBL3100RS2WR
100	4P5W	600/250	S1	2.72 [ 69.1 ]	HBL5100RS1WR
100	3P4W	600/250	S2	2.72 [ 69.1 ]	HBL4100RS2WR

LIST OF PARTS

DESCRIPTION	MATERIAL	FINISH
BOX TERMINAL	STEEL	NICKEL PLATE
GROUND STANDOFF	BRASS	
HINGE BUSHING	ALUMINUM	
SPRING GUIDE	STAIN STEEL	
LID SPRING	STAIN STEEL	
LID	ALUMINUM	GRAY EPOXY
LID LIFTER	ALUMINUM	GRAY EPOXY
O-RING	RUBBER	
LID GASKET	RUBBER	
CLAMP NUT	BRASS	NICKEL PLATE
GLAND	RUBBER	
SPRING WASHER	STAIN STEEL	
WAVE SPRING	STAIN STEEL	
RIVET	ALUMINUM	
RECEPTACLE	ALUMINUM	GRAY EPOXY
SCREWS	STAIN STEEL	
SLEEVES	BRASS	
INTERIOR	THERMOSET POLYESTER	
PIN SPRING	COPPER ALLOY	SILVER COATED

WIRE RANGE  
#4- #6 AWG  
COPPER ONLY

2	ADDED TABLE, "SEE TABLE", & NOTE 1 Ø "A" [A], AND "2X" TO 4.25 [ 107.95 ] & 3.50 [ 88.90 ]; DRAWING TITLE WAS "100A PIN & SLEEVE REVERSE RECEPT. ASSEMBLY STYLES 1 & 2"; REMOVED "mm" FROM DIMENSIONS; ADDED "COPPER ONLY" TO "WIRE RANGE #4 - #2 AWG"; PER DCN #8695. JMN	TCM	1/24/02
1	NEW RELEASE PER DCN 7013 RTK	RDK	8/23/99
SYM	REVISIONS	APP	DATE

THE DESIGN AND DIMENSIONS OF THE PRODUCT SHOWN ON THIS DRAWING ARE SUBJECT TO CHANGE WITHOUT NOTICE

TITLE  
100A INSULGRIP PIN & SLEEVE SLEEVE REVERSE RECEPTACLE STYLE 1 & 2

TOLERANCES UNLESS OTHERWISE SPECIFIED	WIRING DEVICE-KELLEMS HUBBELL INCORPORATED BRIDGEPORT, CT	
FRACTIONS ±1/64	DR. BY RTK	APP. BY RDK
3DECIMALS ±.005	TR. BY	SCALE N/A
ANGLES ±2°	CHK'D BY RDK	DATE 8/23/99
2DECIMALS ±.01		

DIMENSION SHEET FOR CAT. NO. SEE TABLE

REPAIRABLE

NON-REPAIRABLE

B

M-8268

N