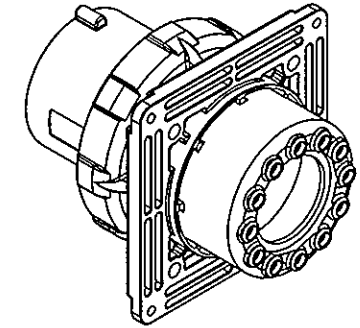
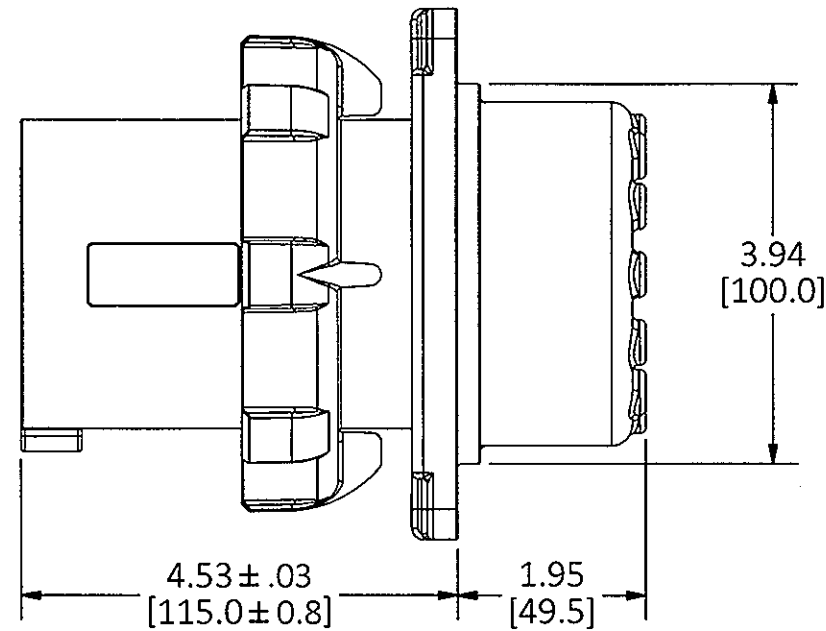
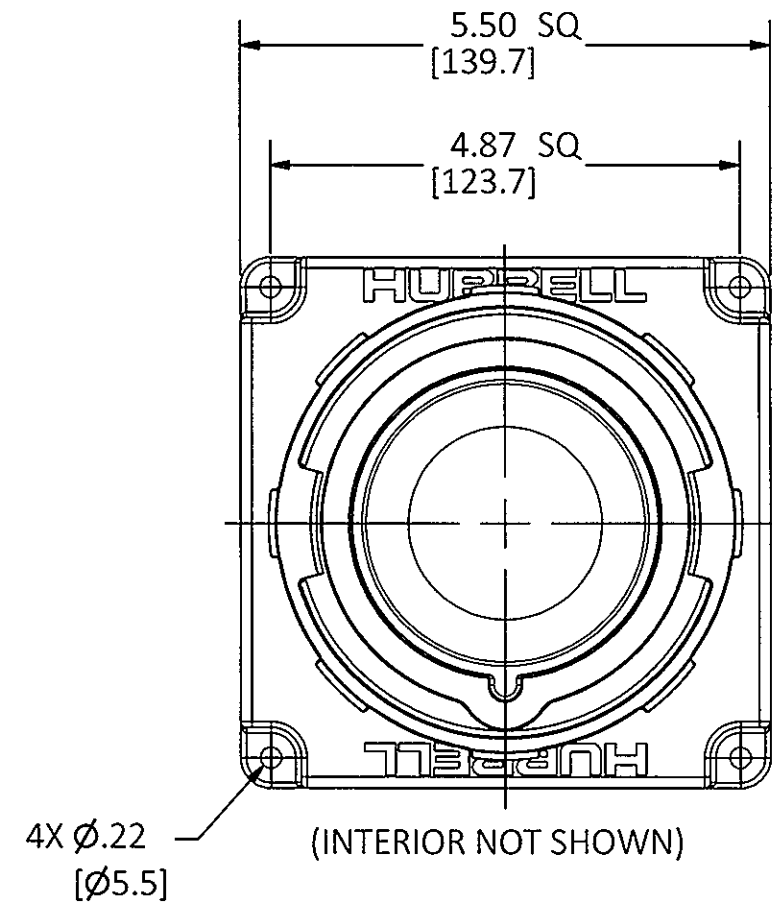


M-13346

1



LIST OF PARTS		
DESCRIPTION	MATERIAL	FINISH
HOUSING	PBT	
GASKET	RUBBER	
LOCKING RING	PBT	
INTERIOR	THERMOSET	
PINS	BRASS	
TERM. SCREWS	ST. STEEL	
GLAND CAP	PBT	
GLANDS	RUBBER	
CLAMPS	PBT	
CLAMP NUTS	BRASS	NICKEL
ASSY SCREWS	ST. STEEL	

CAT. NO.	CONFIG.	RATING	HOUSING COLOR	PILOT
HBL3100B4W		100A 125VAC	YELLOW	NO
HBL3100B4WP		100A 125VAC	YELLOW	YES
HBL3100B6W		100A 250VAC 125A - 6h/200-250V~	BLUE	NO
HBL3100B6WP		100A 250VAC 125A - 6h/200-250V~	BLUE	YES
HBL3100B7W		100A 480VAC	RED	NO
HBL3100B7WP		100A 480VAC	RED	YES

1	INITIAL RELEASE PER DCN 21982 Mr. B <i>MB</i>	TLS	3/10/16
REV	DESCRIPTION	APP	DATE

THE DESIGN AND DIMENSIONS OF THE PRODUCT SHOWN ON THIS DRAWING ARE SUBJECT TO CHANGE WITHOUT NOTICE. DIMENSIONS ARE IN INCHES [mm].

TITLE
100A & 125A 2 POLE 3 WIRE PIN AND SLEEVE INLET

WIRING DEVICE-KELLEMS
HUBBELL INCORPORATED
SHELTON, CT

TOLERANCES UNLESS OTHERWISE SPECIFIED .XX = ± .01 .XXX = ± .005 ANGLE TOL. #2	DR. BY Mr. B CHK. BY TLS	SCALE 1:2 DATE 3/2/16
--	-----------------------------	--------------------------

DIMENSION SHEET FOR CAT. NO. SEE TABLE

B

M-13346

1