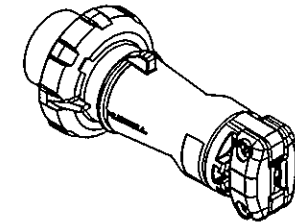
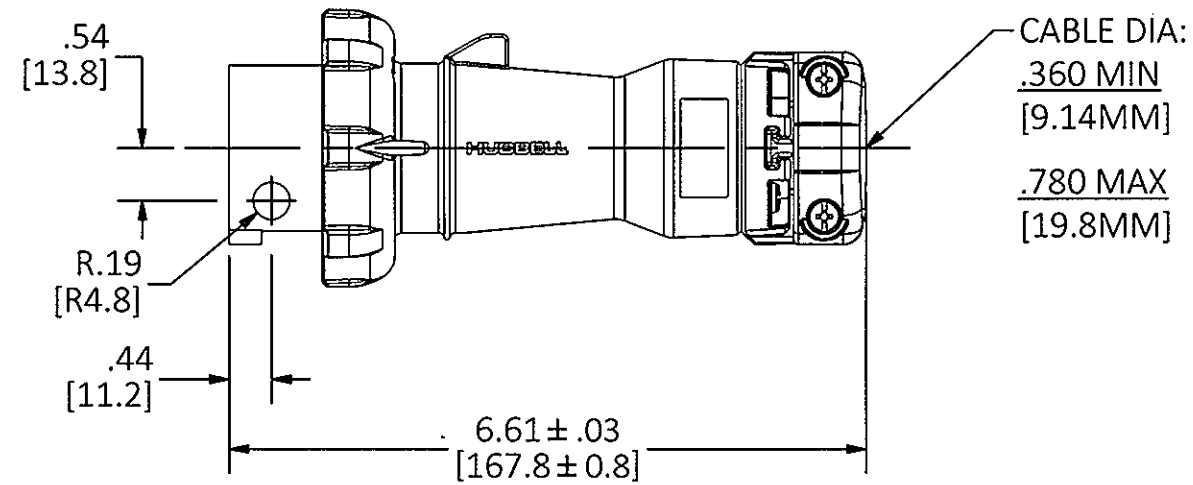
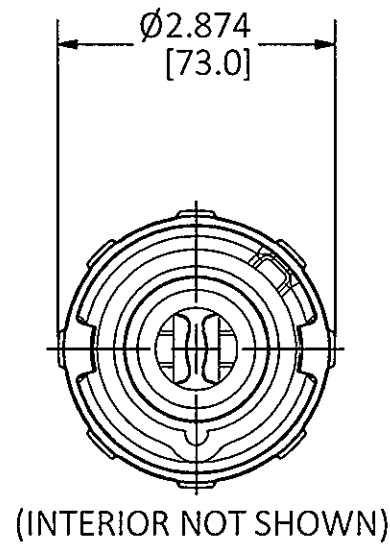


M-13325

1



CAT. NO.	CONFIG.	RATING	HOUSING COLOR
HBL316P4W		16A - 4h/100-130V~	YELLOW
HBL320P4W		20A 125VAC	YELLOW
HBL320P6W		20A 250VAC 16A - 6h/200-250V~	BLUE
HBL320P7W		20A 480VAC	RED

LIST OF PARTS		
DESCRIPTION	MATERIAL	FINISH
HOUSING	PBT	
GASKET	RUBBER	
LOCKING RING	PBT	
INTERIOR	THERMOSET	
PINS	BRASS	
TERM. SCREWS	ST. STEEL	
GLAND CAP	PBT	
GLANDS	RUBBER	
CLAMPS	PBT	
CLAMP NUTS	BRASS	NICKEL
ASSY SCREWS	ST. STEEL	

DIMENSION SHEET FOR CAT. NO. SEE TABLE

1	INITIAL RELEASE PER DCN 21982 Mr. B	TLS	3/10/16
REV	DESCRIPTION	APP	DATE

THE DESIGN AND DIMENSIONS OF THE PRODUCT SHOWN ON THIS DRAWING ARE SUBJECT TO CHANGE WITHOUT NOTICE. DIMENSIONS ARE IN INCHES [mm].

TITLE
16A & 20A 2 POLE 3 WIRE PIN AND SLEEVE PLUGS

WIRING DEVICE-KELLEMS
HUBBELL INCORPORATED
SHELTON, CT

TOLERANCES UNLESS OTHERWISE SPECIFIED .XX = .01 .XXX = .005 ANGLE TOL. ±2	DR. BY Mr. B CHK. BY TLS	SCALE 1:2 DATE 3/2/16
--	-----------------------------	--------------------------

B

M-13325

1