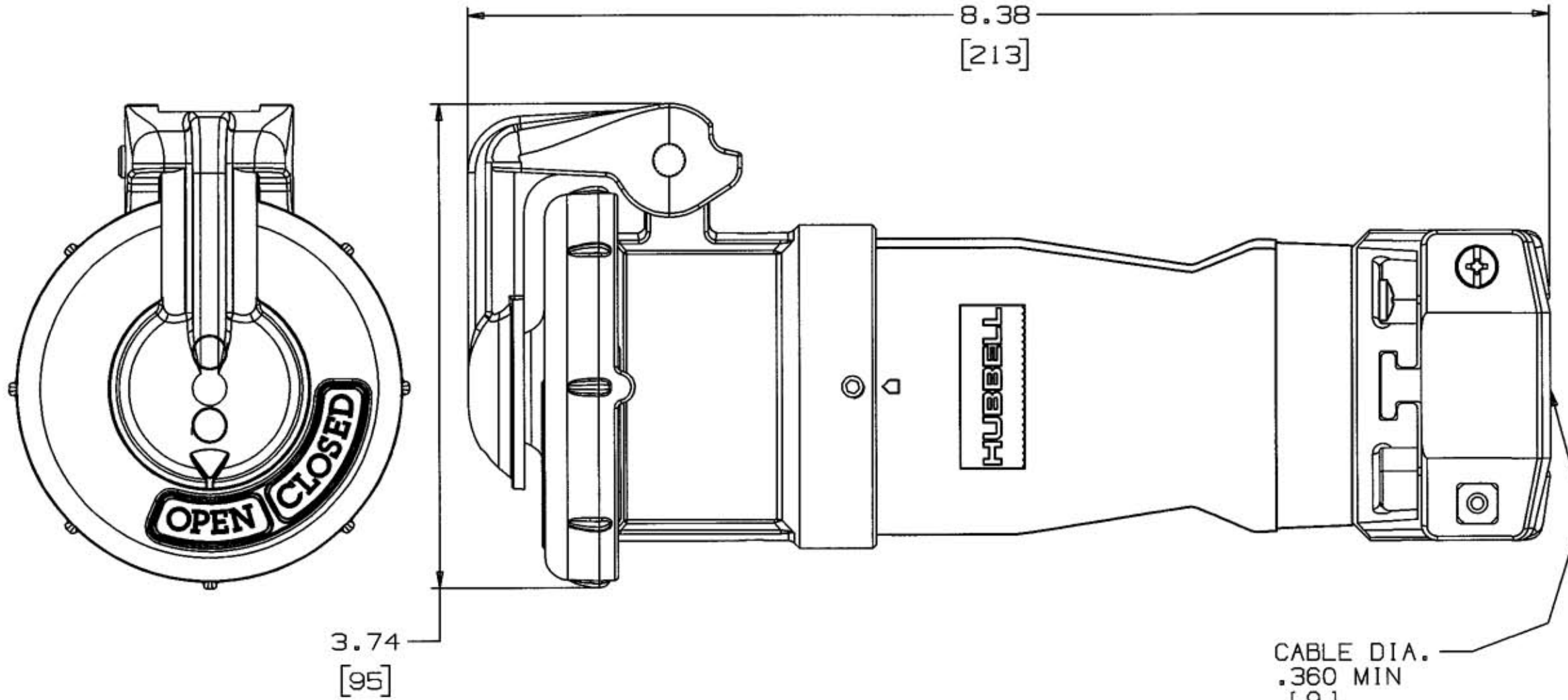


M-8261 2



NOTES: (UNLESS OTHERWISE SPECIFIED)

1) DIMENSION FORMAT IS: INCHES
[mm]

AMPS	POLES AND WIRES	MAX VOLTAGE AC/DC	STYLE	CONNECTOR CATALOG NUMBER
30	2P3W	600/250	S1	HBL330CS1WR
30	3P4W	600/250	S1	HBL430CS1WR
30	4P5W	600/250	S1	HBL530CS1WR
30	2P3W	600/250	S2	HBL330CS2WR
30	3P4W	600/250	S2	HBL430CS2WR

LIST OF PARTS

DESCRIPTION	MATERIAL	FINISH
BOX TERMINAL	STEEL	NICKEL PLATE
GROUND STANDOFF	BRASS	
GROUND BRACKET	COPPER ALLOY	NICKEL PLATE
HINGE BUSHING	ALUMINUM	
SPRING GUIDE	STAIN STEEL	
LID SPRING	STAIN STEEL	
LID	ALUMINUM	GRAY EPOXY
LID LIFTER	ALUMINUM	GRAY EPOXY
O-RING	RUBBER	
LID GASKET	RUBBER	
CLAMP NUT	BRASS	NICKEL PLATE
GLAND	RUBBER	
SPRING WASHER	STAIN STEEL	
WAVE SPRING	STAIN STEEL	
RIVET	ALUMINUM	
CONNECTOR	ALUMINUM	GRAY EPOXY
SET SCREW	STAIN STEEL	
SCREWS	STAIN STEEL	
INTERIOR	THERMOSET POLYESTER	
PLUG BODY	THERMOPLASTIC POLYESTER	
PIN SPRING	COPPER ALLOY	SILVER COATED
SLEEVES	BRASS	

2	ADDED TABLE, "SEE TABLE", AND NOTE 1; DRAWING TITLE WAS "30A PIN & SLEEVE REVERSE CONN. ASSEMBLY STYLES 1 & 2"; REMOVED "MM" FROM DIMENSIONS; PER DCN #8695. JMN	TCM	
1	NEW RELEASE PER DCN 7013 RTK	RDK	8/23/99
SYM	REVISIONS	APP	DATE

THE DESIGN AND DIMENSIONS OF THE PRODUCT SHOWN ON THIS DRAWING ARE SUBJECT TO CHANGE WITHOUT NOTICE

TITLE
30A INSULGRIP PIN & SLEEVE REVERSE SERVICE CONNECTOR STYLES 1 & 2

TOLERANCES UNLESS OTHERWISE SPECIFIED	WIRING DEVICE-KELLEMS HUBBELL INCORPORATED BRIDGEPORT, CT	
FRACTIONS ±1/64	DR. BY RTK	APP. BY RDK
3DECIMALS ±.005	TR. BY	SCALE 1:1
ANGLES ±2°	CHK'D BY RDK	DATE 8/23/99
2DECIMALS ±.01		

DIMENSION SHEET FOR CAT. NO. SEE TABLE
 REPAIRABLE NON-REPAIRABLE
 B
 M-8261
 N