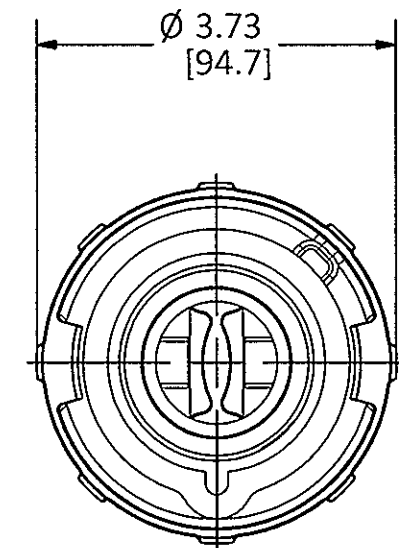
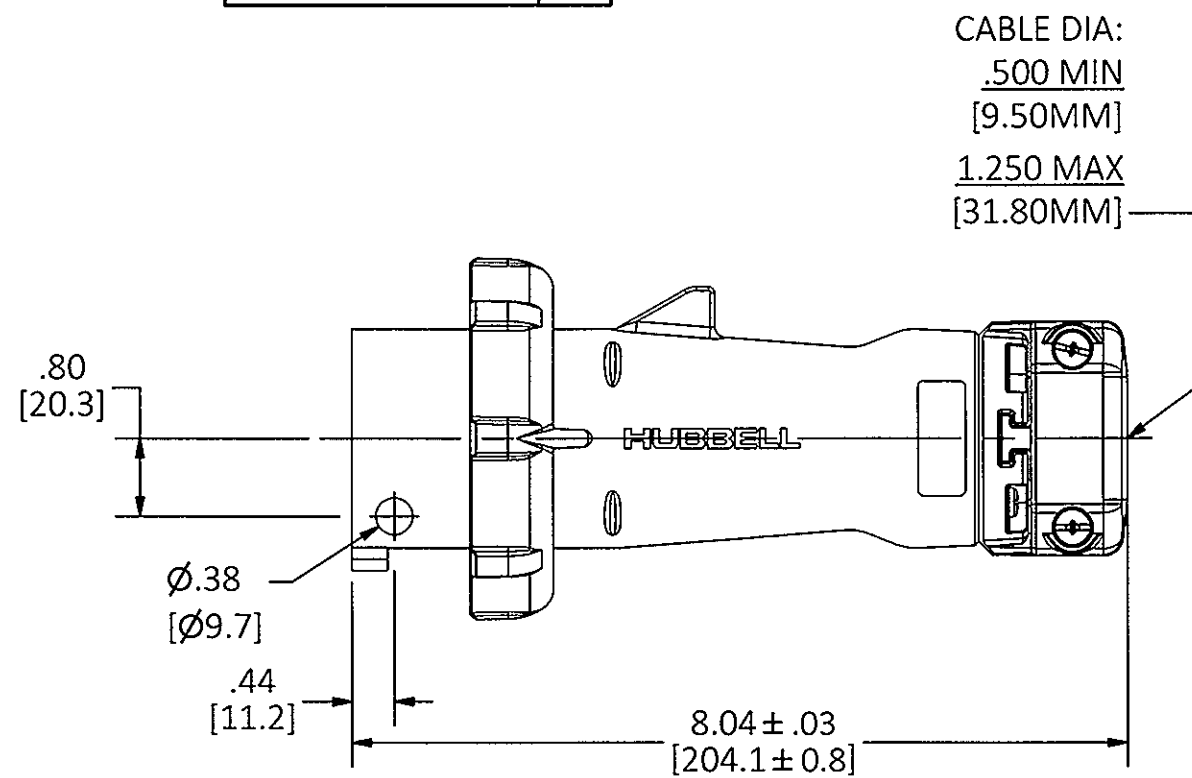


M-13328

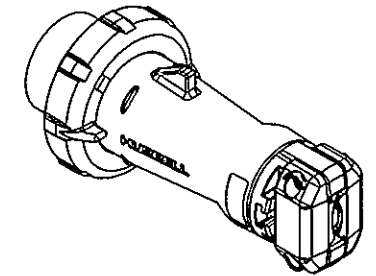
1



(INTERIOR NOT SHOWN)



CABLE DIA:
.500 MIN
[9.50MM]
1.250 MAX
[31.80MM]



CAT. NO.	CONFIG.	RATING	HOUSING COLOR
HBL330P4W		30A 125VAC	YELLOW
HBL332P4W		32A - 4h/100-130V~	YELLOW
HBL330P6W		30A 250VAC	BLUE
HBL330P6V03		30A 250VAC 32A - 6h/200-250V~	BLUE
HBL330P7W		30A 480VAC	RED
HBL330P8V0DC		30A 550VDC	BLACK

LIST OF PARTS		
DESCRIPTION	MATERIAL	FINISH
HOUSING	PBT	
GASKET	RUBBER	
LOCKING RING	PBT	
INTERIOR	THERMOSET	
PINS	BRASS	
TERM. SCREWS	ST. STEEL	
GLAND CAP	PBT	
GLANDS	RUBBER	
CLAMPS	PBT	
CLAMP NUTS	BRASS	NICKEL
ASSY SCREWS	ST. STEEL	

DIMENSION SHEET FOR CAT. NO. SEE TABLE

1	INITIAL RELEASE PER DCN 21982 Mr. B	TLS	3/10/16
REV	DESCRIPTION	APP	DATE

THE DESIGN AND DIMENSIONS OF THE PRODUCT SHOWN ON THIS DRAWING ARE SUBJECT TO CHANGE WITHOUT NOTICE. DIMENSIONS ARE IN INCHES [mm].

TITLE
30A & 32A 2 POLE 3 WIRE PIN AND SLEEVE PLUGS

WIRING DEVICE-KELLEMS
HUBBELL INCORPORATED
SHELTON, CT

TOLERANCES UNLESS OTHERWISE SPECIFIED .XX = ± .01 .XXX = ± .005 ANGLE TOL. ± 2'	DR. BY Mr. B	SCALE 1:2
	CHK. BY TLS	DATE 3/2/16

B M-13328 1