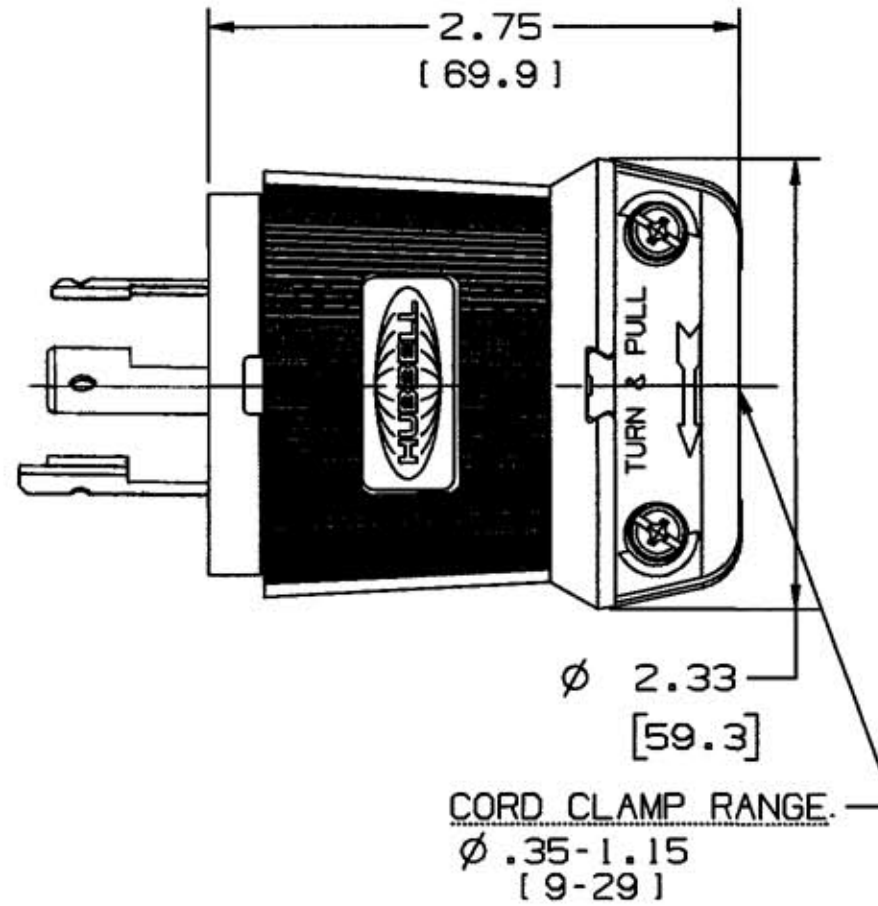
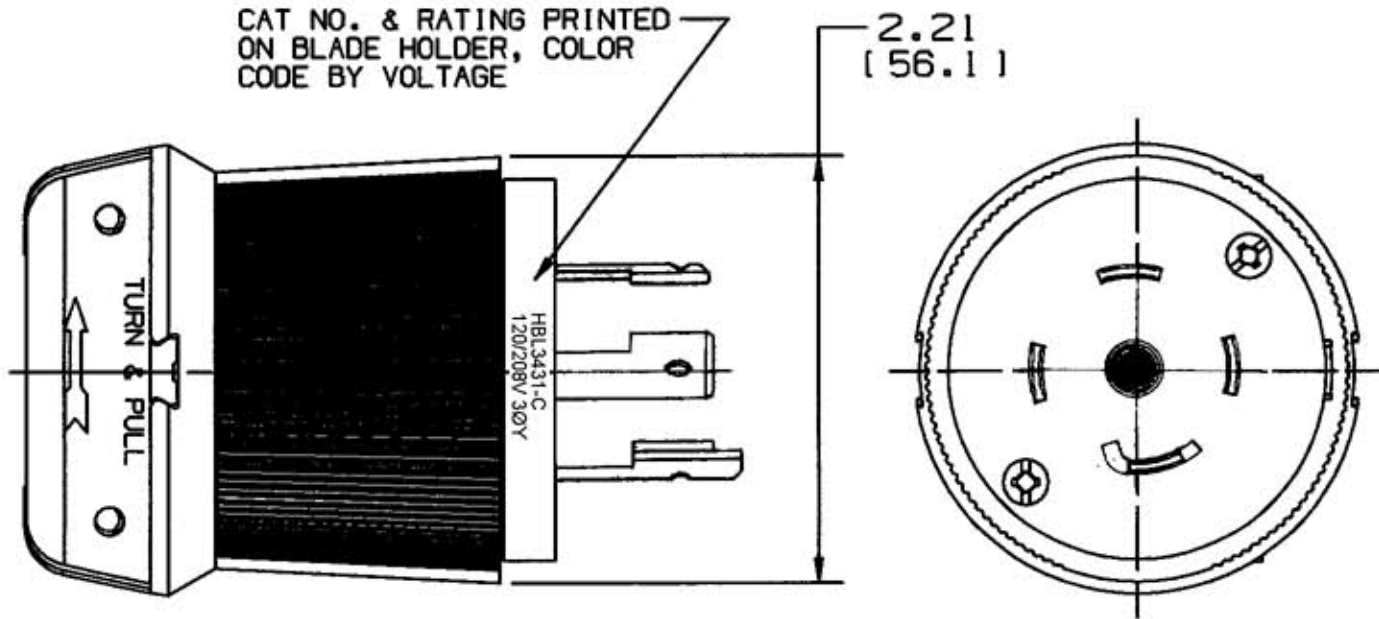


M-6338

3



CAT. NO.	RATING	UL
HBL3431-C	4 POLE 4 WIRE 120/208V 3ØY	YES
HBL3431-GCB	3 POLE 4 WIRE 250VAC	NO

LEGEND:  
IN.  
[ mm ]

NOTES:

- ALL SCREWS ARE COMBINATION PHILLIPS/SLOTTED/ROBERTSON HEAD.
- > INDICATES EVALUATED BY UL IN ACCORDANCE WITH IEC 309-1

LIST OF PARTS

DESCRIPTION	MATERIAL	FINISH
BLADE HOLDER	NYLON	NATURAL
RETAINER	POLY CARBONATE	CLEAR
COVER	NYLON	BLACK
WIRE CLAMP	.080 C.R.S.	NICKEL PLATE
BLADES	.070 BRASS	
TERMINAL SCREWS	BRASS	**
CORD CLAMP	NYLON	NATURAL
AUX JAW INSERT	NYLON	BLACK

\*\*  
WHITE-NEUTRAL  
GREEN-GROUND  
BRASS-LINE

REV	SYMBOL	REVISIONS	APP	DATE
3		UPDATED VIEWS. RETAINER MAT. POLY. WAS LEXAN. ADDED HBL SUFFIX TO CAT NO. PER DCN 8996 MYA	CJC	10/17/01
2		NUMEROUS CHANGES, SEE RECORD PRINT PER DCN 4114. DJG	JZ	6-13-96
1		3431-GCB WAS 3431-GC. REMOVED PER P.C. APPROV. C FROM TABLE 2941		8-30-94

THE DESIGN AND DIMENSIONS OF THE PRODUCT SHOWN ON THIS DRAWING ARE SUBJECT TO CHANGE WITHOUT NOTICE

TITLE  
30A TWIST-LOCK PLUGS  
NON-NEMA

TOLERANCES UNLESS OTHERWISE SPECIFIED		WIRING DEVICE-KELLEMS HUBBELL INCORPORATED BRIDGEPORT, CT	
FRACTIONS	± 1/64	DR. BY	A.J.L. APP. BY
DECIMALS	± .005	TR. BY	SCALE FULL
ANGLES	± 2°	CHK'D BY	DATE 3/22/83