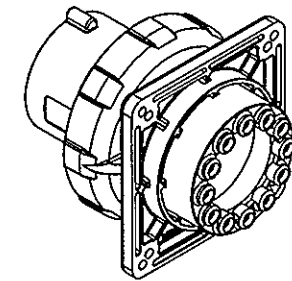
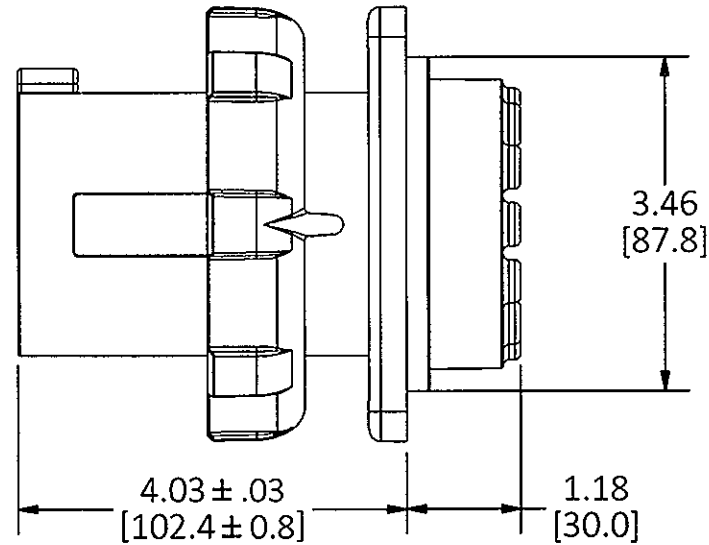
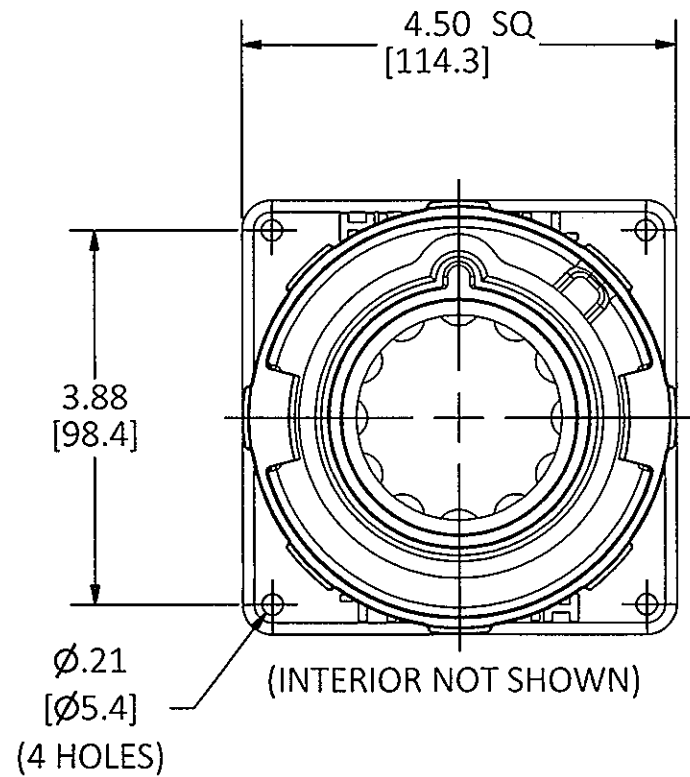


M-13343

1



LIST OF PARTS		
DESCRIPTION	MATERIAL	FINISH
HOUSING	PBT	
GASKET	RUBBER	
LOCKING RING	PBT	
INTERIOR	THERMOSET	
PINS	BRASS	
TERM. SCREWS	ST. STEEL	
GLAND CAP	PBT	
GLANDS	RUBBER	
CLAMPS	PBT	
CLAMP NUTS	BRASS	NICKEL
ASSY SCREWS	ST. STEEL	

CAT. NO.	CONFIG.	RATING	HOUSING COLOR	PILOT
HBL360B4W		60A 125VAC	YELLOW	NO
HBL360B4WP		60A 125VAC	YELLOW	YES
HBL360B6W		60A 250VAC 63A - 6h/200-250V~	BLUE	NO
HBL360B6WP		60A 250VAC xxHP 63A - 6h/200-250V~	BLUE	YES
HBL360B7W		60A 480VAC	RED	NO
HBL360B7WP		60A 480VAC	RED	YES
HBL360B8WDC		60A 550VDC	BLACK	NO

1	INITIAL RELEASE PER DCN 21982 Mr. B <i>Mr. B</i>	TLS	3/10/16
REV	DESCRIPTION	APP	DATE

THE DESIGN AND DIMENSIONS OF THE PRODUCT SHOWN ON THIS DRAWING ARE SUBJECT TO CHANGE WITHOUT NOTICE. DIMENSIONS ARE IN INCHES [mm].

TITLE
60A & 63A 2 POLE 3 WIRE PIN AND SLEEVE INLET

WIRING DEVICE-KELLEMS
HUBBELL INCORPORATED
SHELTON, CT

TOLERANCES UNLESS OTHERWISE SPECIFIED .XX = ± .01 .XXX = ± .005 ANGLE TOL. ±2'	DR. BY Mr. B	SCALE 1:2
	CHK. BY TLS	DATE 3/2/16

DIMENSION SHEET FOR CAT. NO. M-13343 SEE TABLE B M-13343 1