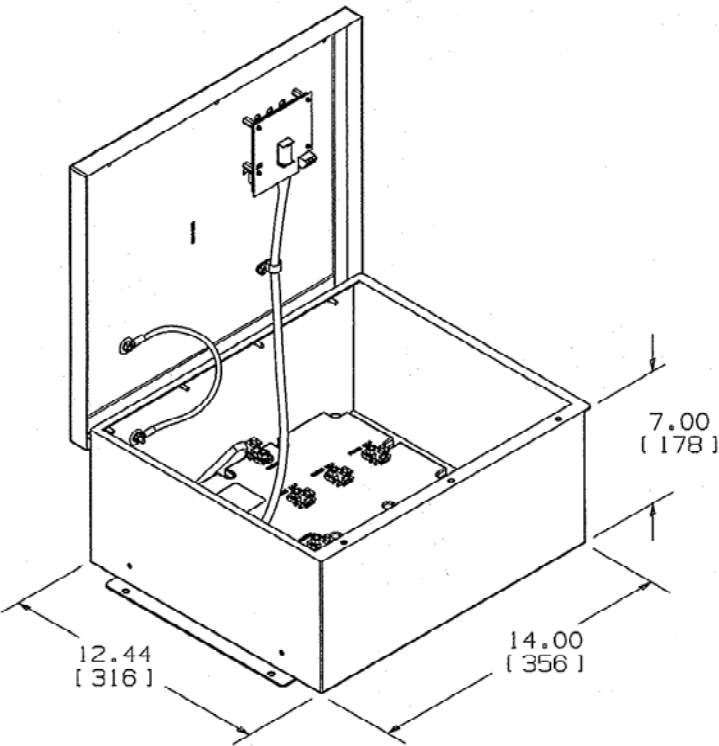


M-11579 1



- NOTES: (UNLESS OTHERWISE SPECIFIED)
- 1) DIMENSIONS ARE: INCHES
[mm]
 - 2) .XX TOLERANCES TO BE $\pm .03$
 - 3) #2 AWG TERMINALS
 - 4) MAXIMUM SURGE CONTROL = 120kA/PHASE
I_{NOM} = 20kA
SCCR = 200kA

CATALOG NO.	VOLTAGE	CONFIGURATION
HBL3P120B	120/240V	1PH WYE+G
HBL4P120B	120/208V	3PH WYE+G
HBL5P120B	240V	3PH DELTA
HBL6P120B	240/120V	3PH DELTA+G (HIGH LEG)
HBL8P120B	277/480V	3PH WYE+G
HBL9P120B	480V	3PH DELTA
HBL10P120B	347/600V	3PH WYE+G
HBL11P120B	600V	3PH DELTA

LIST OF PARTS		
DESCRIPTION	MATERIAL	FINISH
ENCLOSURE	STEEL	GRAY

WIRE LUG SIZE - #10 TO #2 AWG

1	INITIAL RELEASE PER DCN 16566	RCM	SML	4/18/10
SYM	REVISIONS	APP	DATE	

THE DESIGN AND DIMENSIONS OF THE PRODUCT SHOWN ON THIS DRAWING ARE SUBJECT TO CHANGE WITHOUT NOTICE

TITLE
SPD PANEL
TYPE 2, 120KA
NEMA 3R ENCLOSURE

TOLERANCES UNLESS OTHERWISE SPECIFIED	WIRING DEVICE-KELLENS HUBBELL INCORPORATED BRIDGEPORT, CT	
	DR. BY RCM	APP. BY SML
FRACTIONS $\pm 1/64$	TR. BY	SCALE NONE
DECIMALS $\pm .005$	CHK'D BY SML	DATE 4/19/10
ANGLES $\pm 2'$		

DIMENSION SHEET FOR CAT. NO. M-11579
 REPAIRABLE NON-REPAIRABLE