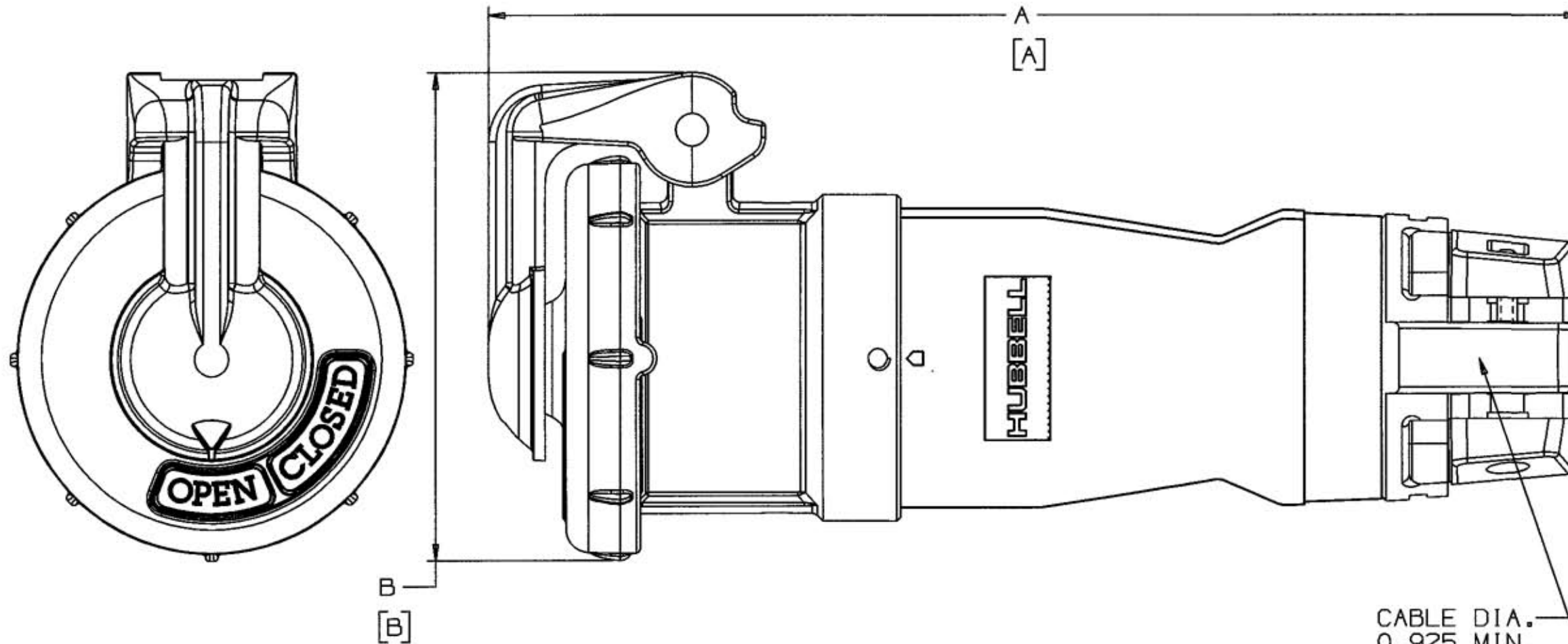


**M-7931** 3



NOTES: (UNLESS OTHERWISE SPECIFIED)

1) DIMENSION FORMAT IS: INCHES [ mm ]

TABLE

AMPS	MAX VOLTAGE AC/DC	CONNECTOR CATALOG NUMBER	PLUG			DIM "A"		DIM "B" Ø	
			STYLE	POLE	WIRE	INS.	mm	INS.	mm
100	600/250	HBL3100CS1W	S1	2P	3W	11.7	297	4.5	114
100	600/250	HBL4100CS1W	S1	3P	4W				
100	600/250	HBL3100CS2W	S2	2P	3W				
100	600/250	HBL5100CS1W	S1	4P	5W	11.9	302	4.7	119
100	600/250	HBL4100CS2W	S2	3P	4W				

LIST OF PARTS

DESCRIPTION	MATERIAL	FINISH
BOX TERMINAL	STEEL	NICKEL PLATE
GROUND STANDOFF	BRASS	
GROUND BRACKET	COPPER ALLOY	NICKEL PLATE
HINGE BUSHING	ALUMINUM	
SPRING GUIDE	STAIN STEEL	
LID SPRING	STAIN STEEL	
LID	ALUMINUM	GRAY EPOXY
LID LIFTER	ALUMINUM	GRAY EPOXY
O-RING	RUBBER	
LID GASKET	RUBBER	
CLAMP NUT	BRASS	NICKEL PLATE
GLAND	RUBBER	
SPRING WASHER	STAIN STEEL	
WAVE SPRING	STAIN STEEL	
RIVET	ALUMINUM	
CONNECTOR	ALUMINUM	GRAY EPOXY
SET SCREW	STAIN STEEL	
SCREWS	STAIN STEEL	
PIN SPRING	COPPER ALLOY	SILVER COATED
INTERIOR	THERMOSET POLYESTER	
PLUG BODY	THERMOPLASTIC POLYESTER	
SLEEVES	BRASS	

3	REVISED TABLE, ADDED "SEE TABLE", & NOTE 1; DRAWING TITLE WAS "100A PIN & SLEEVE CONNECTOR ASSEMBLY STYLES 1 & 2"; REMOVED "mm" FROM DIMENSIONS; PER DCN #8695. JMN	TCM	1/23/02
2	DCN 5807-B 2/10/99 UPDATED LIST OF PARTS		
1	RELEASED PER DCN-5807 3/26/98 DJH	RDK	4/18/98
SYM	REVISIONS	APP	DATE

THE DESIGN AND DIMENSIONS OF THE PRODUCT SHOWN ON THIS DRAWING ARE SUBJECT TO CHANGE WITHOUT NOTICE

TITLE  
100A INSULGRIP PIN & SLEEVE CONNECTOR  
STYLE 1 & 2

TOLERANCES UNLESS OTHERWISE SPECIFIED	WIRING DEVICE-KELLEMS HUBBELL INCORPORATED BRIDGEPORT, CT	
FRACTIONS ± 1/64	DR. BY DJH	APP. BY RDK
3 DECIMALS ± .005	TR. BY	SCALE NONE
ANGLES ± 2°	CHK'D BY RDK	DATE 3/26/98
2 DECIMALS ± .01		

DIMENSION SHEET FOR CAT. NO. SEE TABLE  
 REPAIRABLE  NON-REPAIRABLE   
**B**  
**M-7931**  
**3**