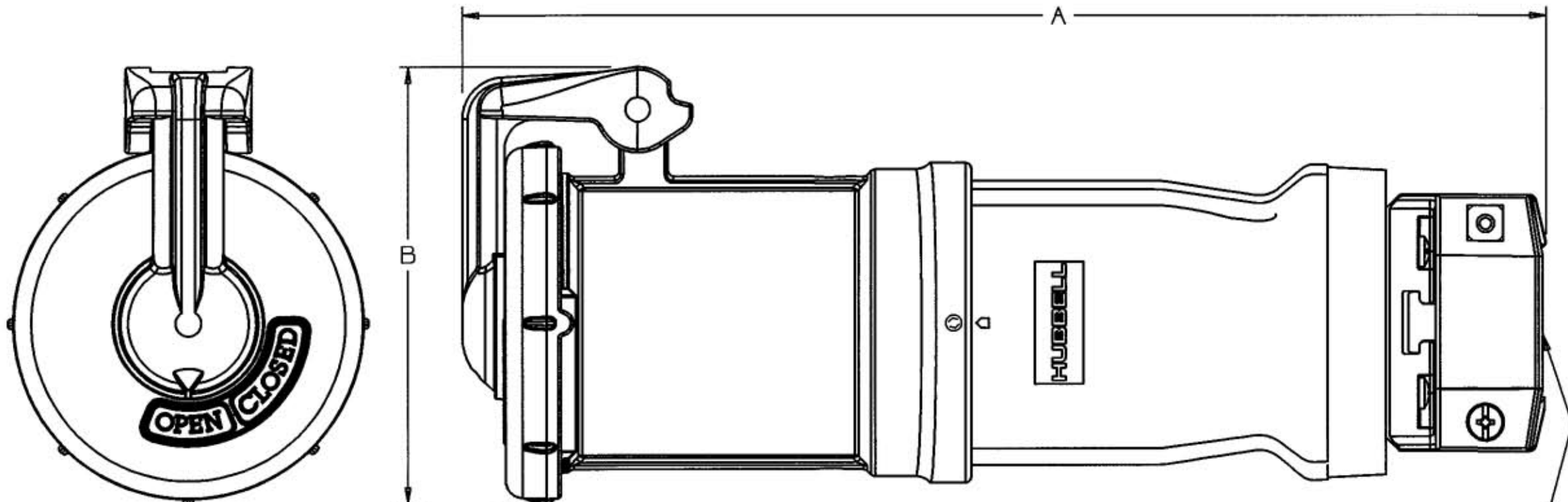


M-8267 2



NOTES: (UNLESS OTHERWISE SPECIFIED)
 1) DIMENSION FORMAT IS: INCHES [mm]

CABLE DIA.
 .925 MIN [24]
 1.94 MAX. [49]

TABLE

AMPS	MAX VOLTAGE AC/DC	CONNECTOR CATALOG NUMBER	PLUG			DIM "A"		DIM "B" ϕ	
			STYLE	POLE	WIRE	INS.	mm	INS.	mm
100	600/250	HBL3100CS1WR	S1	2P	3W	11.7	297	4.5	114
100	600/250	HBL4100CS1WR	S1	3P	4W				
100	600/250	HBL3100CS2WR	S2	2P	3W	11.9	302	4.7	119
100	600/250	HBL5100CS1WR	S1	4P	5W				
100	600/250	HBL4100CS2WR	S2	3P	4W				

LIST OF PARTS

DESCRIPTION	MATERIAL	FINISH
BOX TERMINAL	STEEL	NICKEL PLATE
GROUND STANDOFF	BRASS	
GROUND BRACKET	COPPER ALLOY	NICKEL PLATE
HINGE BUSHING	ALUMINUM	
SPRING GUIDE	STAIN STEEL	
LID SPRING	STAIN STEEL	
LID	ALUMINUM	GRAY EPOXY
LID LIFTER	ALUMINUM	GRAY EPOXY
O-RING	RUBBER	
LID GASKET	RUBBER	
CLAMP NUT	BRASS	NICKEL PLATE
GLAND	RUBBER	
SPRING WASHER	STAIN STEEL	
WAVE SPRING	STAIN STEEL	
RIVET	ALUMINUM	
CONNECTOR	ALUMINUM	GRAY EPOXY
SET SCREW	STAIN STEEL	
SCREWS	STAIN STEEL	
INTERIOR	THERMOSET POLYESTER	
PLUG BODY	THERMOPLASTIC POLYESTER	
PIN SPRING	COPPER ALLOY	SILVER COATED
SLEEVES	BRASS	

DIMENSION SHEET FOR CAT. NO. SEE TABLE

REPAIRABLE

NON-REPAIRABLE

2 REVISED TABLE, ADDED "SEE TABLE", & NOTE 1; DRAWING TITLE WAS "100A PIN & SLEEVE REVERSE CONN.; ASSEMBLY STYLES 1 & 2"; REMOVED "MM" FROM DIMENSIONS; PER DCN #8895. JMN

TCM 1/24/02
TCM

1 NEW RELEASE PER DCN 7013 RTK

RDK 8/23/99

THE DESIGN AND DIMENSIONS OF THE PRODUCT SHOWN ON THIS DRAWING ARE SUBJECT TO CHANGE WITHOUT NOTICE

TITLE
 100A INSULGRIP PIN & SLEEVE REVERSE SERVICE CONNECTOR STYLE 1 & 2

TOLERANCES UNLESS OTHERWISE SPECIFIED

FRACTIONS $\pm 1/64$
 3DECIMALS $\pm .005$
 ANGLES $\pm 2'$
 2DECIMALS $\pm .01$

WIRING DEVICE-KELLEMS
 HUBBELL INCORPORATED
 BRIDGEPORT, CT

DR. BY RTK APP. BY RDK
 TR. BY SCALE N/A
 CHK'D BY RDK DATE 8/23/99

B

M-8267

2