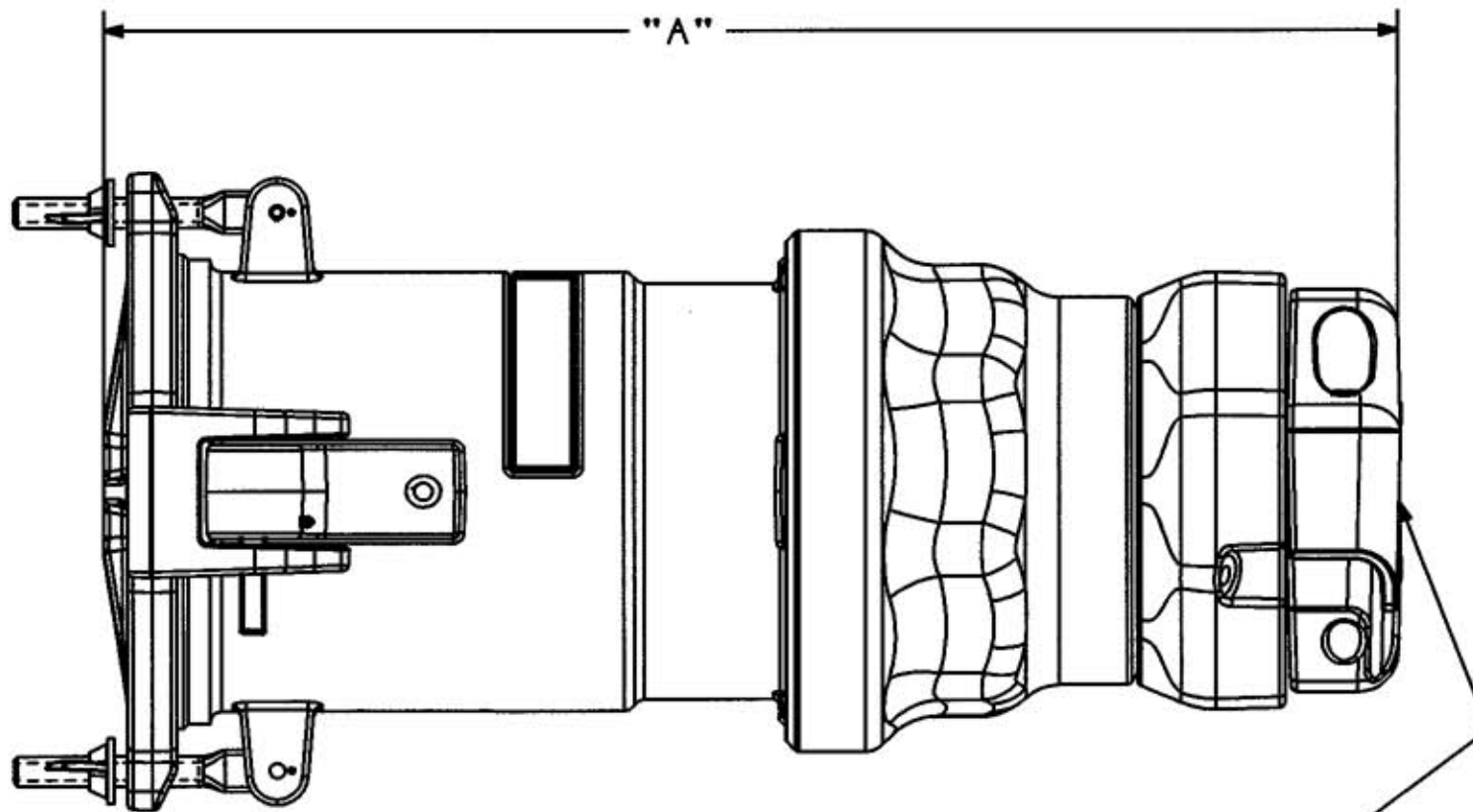
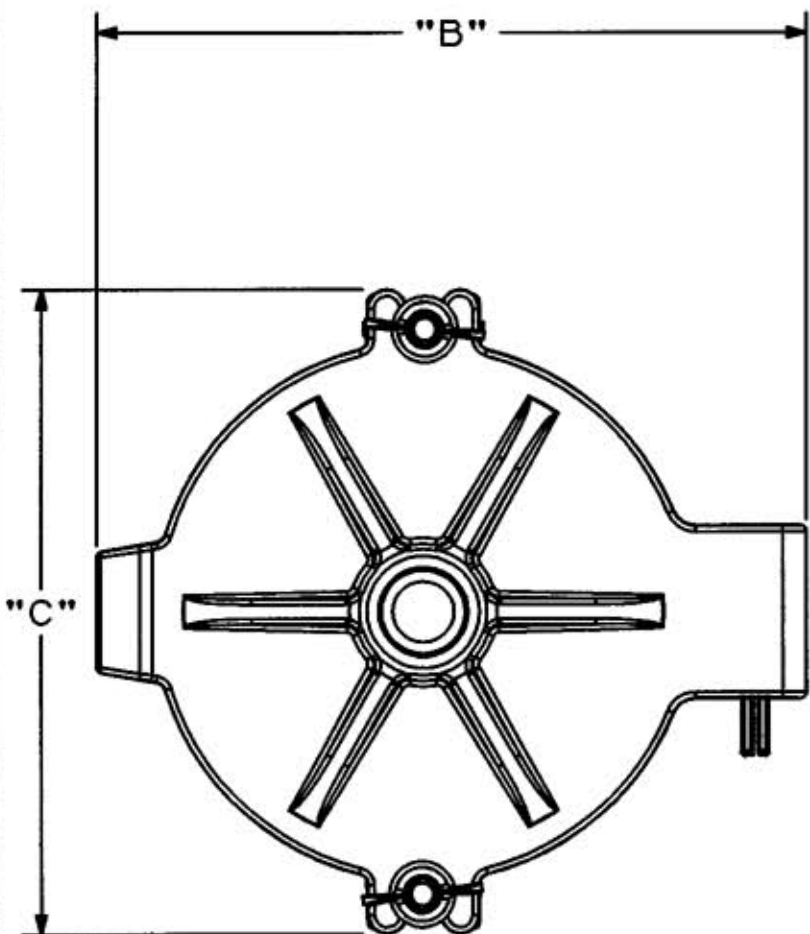


M-8224 3



CABLE DIA.  
1.0 MIN  
(25.4)  
  
2.5 MAX  
(63.5)

NOTES: (UNLESS OTHERWISE SPECIFIED)

1) DIMENSION FORMAT IS: INCHES  
[ mm ]

AMPS	MAX VOLTAGE AC/DC	CONNECTOR CATALOG NUMBER	TABLE			DIM "A"		DIM "B" Ø		DIM "C"	
			PLUG			INS.	mm	INS.	mm	INS.	mm
			STYLE	POLE	WIRE						
200	600/250	HBL4200CS1W	S1	3P	4W	13.65	346.7	7.00	177.8	6.51	165.3
200	600/250	HBL3200CS2W	S2	2P	3W						
200	600/250	HBL5200CS1W	S1	4P	5W	13.65	346.7	7.39	187.7	6.70	170.2
200	600/250	HBL4200CS2W	S2	3P	4W						

LIST OF PARTS

DESCRIPTION	MATERIAL	FINISH
HINDGE BUSHING	ALUMINUM	
SPRING GUIDE	STAIN STEEL	
LID SPRING	STAIN STEEL	
LID	ALUMINUM	GRAY EPOXY
O-RING	RUBBER	
LID GASKET	RUBBER	
RIVET	ALUMINUM	
CONNECTOR	ALUMINUM	GRAY EPOXY
SET SCREW	STAIN STEEL	
SCREWS	STAIN STEEL	
PIN SPRING	COPPER ALLOY	SILVER COATED
SPRING WASHER	COPPER ALLOY	
SLEEVES	BRASS	
SWING BOLT	STAIN STEEL	
BUTTERFLY NUT	STAIN STEEL	
GROUND POST	BRASS	
GROUND STRAP	COPPER ALLOY	
ONION SKIN GASKET	RUBBER	
CLAMP GUIDE	ALUMINUM	GRAY EPOXY
CLAMP	ALUMINUM	GRAY EPOXY
CLAMP INSERT	ALUMINUM	GRAY EPOXY
CONNECTOR ADAPTER	ALUMINUM	BLACK
INTERIOR	THERMOSET POLYESTER	

REPAIRABLE  NON-REPAIRABLE

SYM	REVISIONS	APP	DATE
3	REVISED TABLE, ADDED "SEE TABLE", & NOTE 1; DRAWING TITLE WAS "200A PIN & SLEEVE CONNECTOR ASSEMBLY STYLES 1 & 2"; REMOVED "mm" FROM DIMENSIONS; PER DCN #8695. JMN	TCM	1/24/02
2	2/25/00 ADDED CABLE DIA. ADDED MM DIM TO TABLE PER DCN 6793-4 ALM	RDK	3/20/00
1	RELEASED PER DCN-6793 5/28/99 MJM RDK	RDK	6/7/99

THE DESIGN AND DIMENSIONS OF THE PRODUCT SHOWN ON THIS DRAWING ARE SUBJECT TO CHANGE WITHOUT NOTICE

TITLE  
200A INSULGRIP PIN & SLEEVE CONNECTOR  
STYLE 1 & 2

TOLERANCES UNLESS OTHERWISE SPECIFIED	WIRING DEVICE-KELLEMS HUBBELL INCORPORATED BRIDGEPORT, CT	
FRACTIONS ±1/64	DR. BY MJM	APP. BY
3DECIMALS ±.005	TR. BY	SCALE 1/2 SIZE
ANGLES ±2°	CHK'D BY	DATE 5/24/99
2 DECIMALS ±.030		