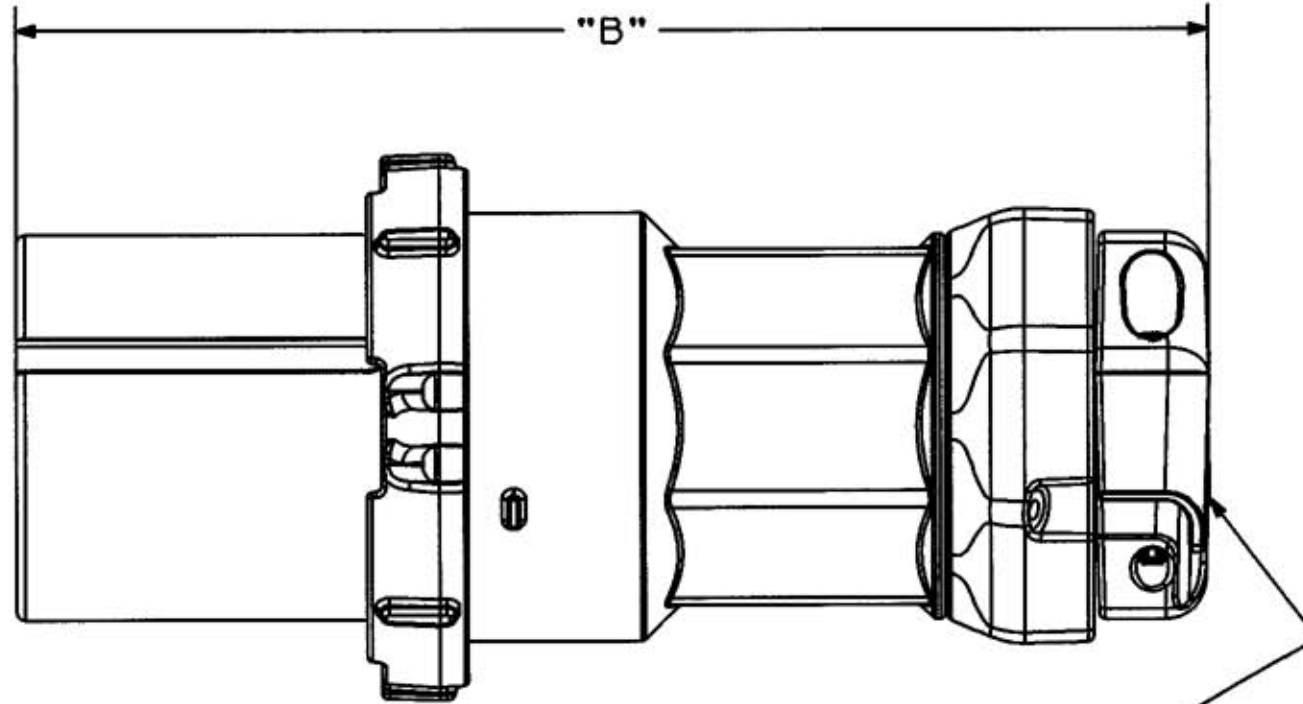
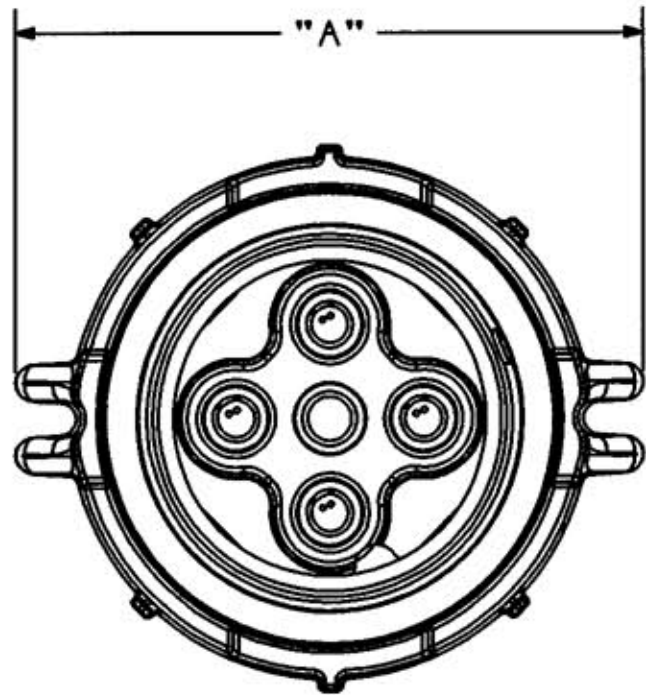


M-8386 2



CABLE DIA.
1.0 MIN
[25.4]
2.5 MAX
[63.5]

WIRE RANGE
#1 AWG-250 MCM
COPPER ONLY

NOTES: (UNLESS OTHERWISE SPECIFIED)

1) DIMENSION FORMAT IS: INCHES
[mm]

TABLE

AMPS	MAX VOLTAGE AC/DC	CONNECTOR CATALOG NUMBER	PLUG			DIM "A"		DIM "B" ϕ	
			STYLE	POLE	WIRE	INS.	mm	INS.	mm
200	600/250	HBL4200PS1WR	S1	3P	4W	11.13	282.7	6.35	161.3
200	600/250	HBL3200PS2WR	S2	2P	3W	11.13	282.7	6.35	161.3
200	600/250	HBL5200PS1WR	S1	4P	5W	11.13	282.7	6.70	170.2
200	600/250	HBL4200PS2WR	S2	3P	4W	11.13	282.7	6.70	170.2

LIST OF PARTS

DESCRIPTION	MATERIAL	FINISH
O-RINGS	RUBBER	
PINS	BRASS	
LOCK COLLAR	ALUMINUM	GRAY EPOXY
SHROUD	ALUMINUM	
SET SCREW	STAIN STEEL	
SCREWS	STAIN STEEL	
SPRING WASHER	COPPER ALLOY	
GROUND POST	BRASS	
GROUND STRAP	COPPER ALLOY	
PLUG HOUSING	ALUMINUM	BLACK
CLAMP GUIDE	ALUMINUM	GRAY EPOXY
CLAMP	ALUMINUM	GRAY EPOXY
CLAMP INSERTS	ALUMINUM	GRAY EPOXY
ONION SKIN GROMMET	RUBBER	
INTERIOR	THERMOSET POLYESTER	
PIN SPRING	COPPER ALLOY	SILVER COATED

2	REVISED TABLE, ADDED "SEE TABLE", & NOTE 1; DRAWING TITLE WAS "200A PIN & SLEEVE REVERSE SERVICE PLUG ASSEMBLY STYLES 1 & 2"; REMOVED "mm" FROM DIMENSIONS; ADDED "COPPER ONLY" TO "WIRE RANGE #1 AWG-250 MCM"; PER DCN #8695. JMN	TCM	1/25/02
1	11/10/00 RELEASED PER DCN 8125 ALM	RDK	3/20/00
SYM	REVISIONS	APP	DATE

THE DESIGN AND DIMENSIONS OF THE PRODUCT SHOWN ON THIS DRAWING ARE SUBJECT TO CHANGE WITHOUT NOTICE

TITLE
200A INSULGRIP PIN & SLEEVE REVERSE SERVICE PLUG STYLE 1 & 2

TOLERANCES UNLESS OTHERWISE SPECIFIED	WIRING DEVICE-KELLEMS HUBBELL INCORPORATED BRIDGEPORT, CT	
FRACTIONS $\pm 1/64$	DR. BY ALM	APP. BY
DECIMALS $\pm .10$	TR. BY	SCALE NONE
ANGLES $\pm 2'$	CHK'D BY	DATE 11/10/00

DIMENSION SHEET FOR CAT. NO. SEE TABLE

REPAIRABLE

NON-REPAIRABLE

B

M-8386

N