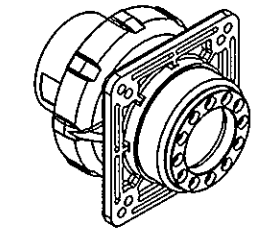
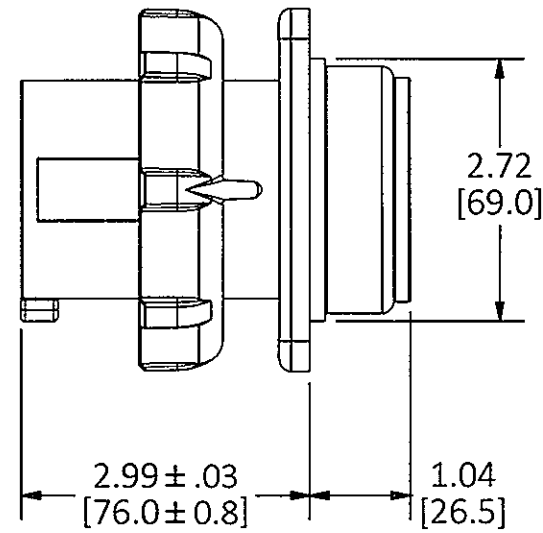
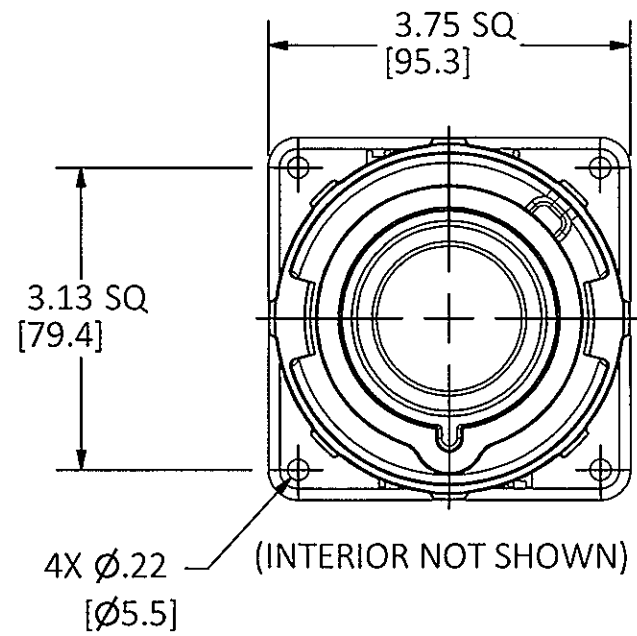


M-13341

1



CAT. NO.	CONFIG.	RATING	HOUSING COLOR
HBL432B3W		32A-3h/380V-50Hz, 440V-60Hz	RED
HBL430B5W		30A 600VAC 3Ø	BLACK
HBL430B6W		30A 380-415VAC 3Ø	RED
HBL430B6V02		32A - 6h/380-415V~	RED
HBL430B7W		30A 480VAC 3Ø	RED
HBL430B9W		30A 250VAC 3Ø	BLUE
		32A - 9h/200-250V~	
HBL430B12W		30A 125/250VAC	ORANGE

LIST OF PARTS		
DESCRIPTION	MATERIAL	FINISH
HOUSING	PBT	
GASKET	RUBBER	
LOCKING RING	PBT	
INTERIOR	THERMOSET	
PINS	BRASS	
TERM. SCREWS	ST. STEEL	
GLAND CAP	PBT	
GLANDS	RUBBER	
CLAMPS	PBT	
CLAMP NUTS	BRASS	NICKEL
ASSY SCREWS	ST. STEEL	

DIMENSION SHEET FOR CAT. NO. SEE TABLE

1	INITIAL RELEASE PER DCN 21982 Mr. B <i>Mr. B</i>	TLS	3/10/16
REV	DESCRIPTION	APP	DATE

THE DESIGN AND DIMENSIONS OF THE PRODUCT SHOWN ON THIS DRAWING ARE SUBJECT TO CHANGE WITHOUT NOTICE. DIMENSIONS ARE IN INCHES [mm].

TITLE
30A & 32A 3 POLE 4 WIRE PIN AND SLEEVE INLET



WIRING DEVICE-KELLEMS
HUBBELL INCORPORATED
SHELTON, CT

TOLERANCES UNLESS OTHERWISE SPECIFIED .XX = ± .01 .XXX = ± .005 ANGLE TOL. ± 2'	DR. BY Mr. B	SCALE 1:2
	CHK. BY TLS	DATE 3/2/16

B

M-13341

1