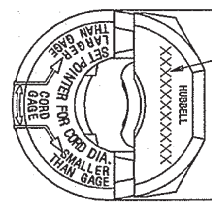
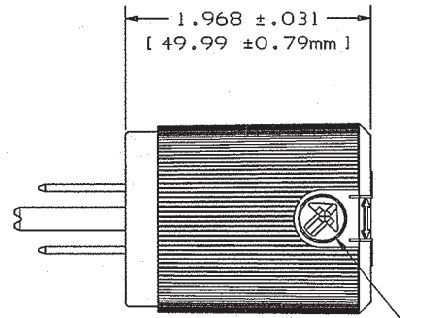
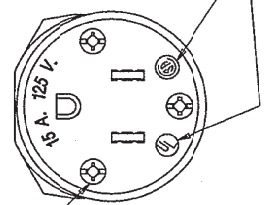


M-7149 8

AGENCY LISTING PER TABLE



CATALOG NUMBER (HBL5266CM2 & HBL5266EBK NOT MARKED)

ALL SCREWS ARE COMBINATION ROBERTSON/PHILLIPS/SLOTTED HEAD

INTEGRAL VARISIZE® INSERT

LIST OF PARTS		
DESCRIPTION	MATERIAL	FINISH
BLADE HOLDER	NYLON	NATURAL
RETAINER COVER	POLYCARBONATE	CLEAR
INSERT	NYLON	
CORD CLAMP	NYLON	NATURAL
WIRE CLAMP	.062 CRS	NICKEL PL
CONTACT BLADE	.060 BRASS	*
GROUND CONTACT BLADE	.040 BRASS	
BINDING SCREW	BRASS	*
GROUND HEX HEAD BINDING SCREW	BRASS	GREEN
CORD CLAMP SCREWS	STEEL	ZINC PL
ASSY SCREWS	STEEL	ZINC PL

*WHITE FINISH ON NEUTRAL PARTS WHEN USED

NOTE:
ON "CM" DEVICES, STEEL PARTS ARE MADE OF BRASS OR STAINLESS STEEL AND ALL BRASS PARTS ARE .0003 NICKEL PLATED.

CUSTOMER SPECIAL CAT. NO. (BLADE HOLDER & CORD CLAMP) ALL BLACK	CHEM-MARINE CAT. NO. (YELLOW COVER) & INSERT	CAT. NO. (BLACK COVER) & INSERT	CONFIGURATION	RATING	UL	CSA	CORD RANGE	
							LARGER THAN GAGE	SMALLER THAN GAGE
HBL5266CM2	HBL52CM66C	HBL5266C	NEMA 5-15P	15A. 125V.	YES	YES	18/3 TYPE S	18/3-16/3 TYPE SV, SJ
—	HBL53CM66C	HBL5366C	NEMA 5-20P	20A. 125V.	YES	YES	16/3-10/3 TYPE S, SO, SJ	DIAMETER: .230-.360 [5.8mm]-[9.1mm]
—	HBL54CM66C	HBL5466C	NEMA 6-20P	20A. 250V.	YES	YES	DIAMETER: .325-.720 [8.3mm]-[18.3mm]	
—	HBL56CM66C	HBL5666C	NEMA 6-15P	15A. 250V.	YES	YES		
HBL5266EBK	—	—	NEMA 5-15P	15A. 125V.	YES	YES	18/3-10/3 TYPE S 14/3-10/3 TYPE SJ DIAMETER: .360-.720 [9.1mm]-[18.3mm]	N/A

8	TEXT HEIGHT FOR CAT. NO. XXX OF HIGH WAS .05. PICTORIAL UPDATE ONLY PER DCN 17514 SPN	DJP	3/31/11
7	ADDED "CORD RANGE" TO TABLE; ADDED "HBL5266EBK" CALLOUTS PER DCN 12450 RCN	DJP	8/31/05
SYM	REVISIONS	APP	DATE

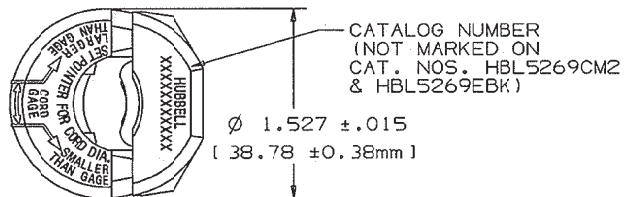
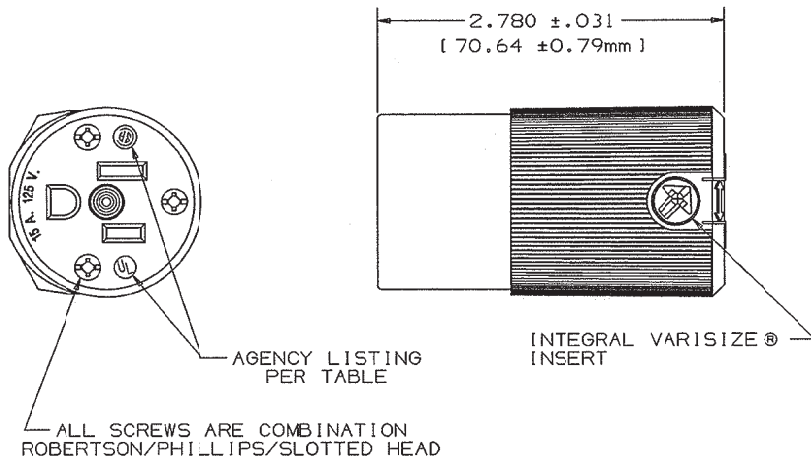
THE DESIGN AND DIMENSIONS OF THE PRODUCT SHOWN ON THIS DRAWING ARE SUBJECT TO CHANGE WITHOUT NOTICE

TITLE
INSULGRIP®
2 POLE 3 WIRE
GROUNDING STRAIGHT BLADE PLUG

TOLERANCES UNLESS OTHERWISE SPECIFIED	WIRING DEVICE-KE-LEMS HUBBELL INCORPORATED BRIDGEPORT, CT	
FRACTIONS ± 1/64	DR. BY RCM	APP. BY VFL
DECIMALS ± .005	TR. BY	SCALE $\frac{1}{1}$
ANGLES ± 1°	CHK'D BY ZIMM	DATE 6/29/93

DIMENSION SHEET FOR CAT. NO. M-7149
 SEE TABLE
 REPAIRABLE
 NON REPAIRABLE
 8

M-7150 8



LIST OF PARTS		
DESCRIPTION	MATERIAL	FINISH
BODY	NYLON	NATURAL
RETAINER	POLYCARBONATE	CLEAR
COVER	NYLON	
INSERT	NYLON	
CORD CLAMP	NYLON	NATURAL
WIRE CLAMP	.C62 CRS	NICKEL PL
BINDING PLATE	.040	
CONTACT SPRING	BRASS	
INNER SPRING	.040	
	BRASS	
BINDING SCREW	BRASS	*
GROUND HEX HEAD	BRASS	GREEN
BINDING SCREW		
GND CONTACT SPRING	.031	
	BRASS	
CORD CLAMP SCREWS	STEEL	ZINC PL
ASSY SCREWS	STEEL	ZINC PL

*WHITE FINISH ON NEUTRAL PARTS WHEN USED

NOTE:
ON "CM" DEVICES, STEEL PARTS ARE MADE OF BRASS OR STAINLESS STEEL AND ALL BRASS PARTS ARE .0003 NICKEL PLATED.

CUSTOMER SPECIAL CAT. NO. (CORD CLAMP / CONN. BODY) ALL BLACK	CHEM-MARINE CAT. NO. (YELLOW COVER) & INSERT	CAT. NO. (BLACK COVER) & INSERT	CONFIGURATION	RATING	U.L.	C.S.A.	CORD RANGE	
							LARGER THAN GAGE	SMALLER THAN GAGE
HBL5269CM2	HBL52CM69C	HBL5269C	NEMA 5-15R	15A. 125V.	YES	YES	18/3 TYPE S	18/3-16/3 TYPE SV, SJ
—	HBL53CM69C	HBL5369C	NEMA 5-20R	20A. 125V.	YES	YES	16/3-10/3 TYPE S, SO, SJ	DIAMETER: .230-.360 (5.8mm)-(9.1mm)
—	—	HBL5469C	NEMA 6-20R	20A. 250V.	YES	YES	DIAMETER: .325-.720 (8.3mm)-(18.3mm)	
—	—	HBL5669C	NEMA 6-15R	15A. 250V.	YES	YES		
HBL5269EBK	—	—	NEMA 5-15R	15A. 125V.	YES	YES	18/3-10/3 TYPE S	N/A
							14/3-10/3 TYPE SJ	
							DIAMETER: .360-.720 (9.1mm)-(18.3mm)	

8	CAT. NUMBER AND HUBBELL TEXT .08 HIGH WAS .1 HIGH. PICTORIAL UPDATE ONLY PER DCN 17514 SPN	DJP	3/31/11
7	ADDED "CORD RANGE" TO TABLE; ADDED "HBL5269EBK" TO TABLE; REMOVED "CORD CLAMP" CALLOUTS PER DCN 2450 RCM	DJP	8/31/05
SYM	REVISIONS	APP	DATE

THE DESIGN AND DIMENSIONS OF THE PRODUCT SHOWN ON THIS DRAWING ARE SUBJECT TO CHANGE WITHOUT NOTICE

TITLE INSULGRIP®
2 POLE 3 WIRE
GROUNDING STRAIGHT BLADE
CONNECTORS

TOLERANCES UNLESS OTHERWISE SPECIFIED	WIRING DEVICE-KELEMS HUBBELL INCORPORATED BRIDGEPORT, CT	
FRACTIONS ± 1/64	DR. BY RCM	APP. BY VFL
DECIMALS ± .005	TR. BY	SCALE $\frac{1}{1}$
ANGLES ± 1°	CHK'D BY JEZ	DATE 6/29/93

DIMENSION SHEET FOR CAT. NO. M-7150
 SEE TABLE
 REPAIRABLE NON REPAIRABLE