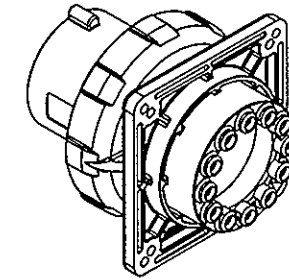
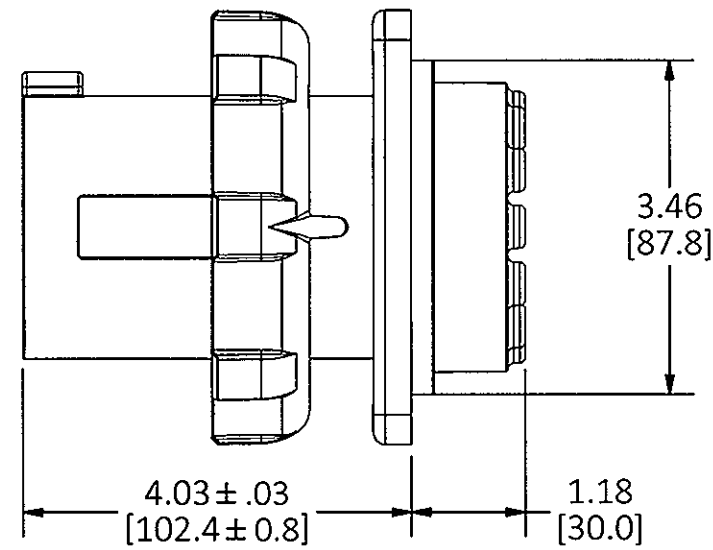
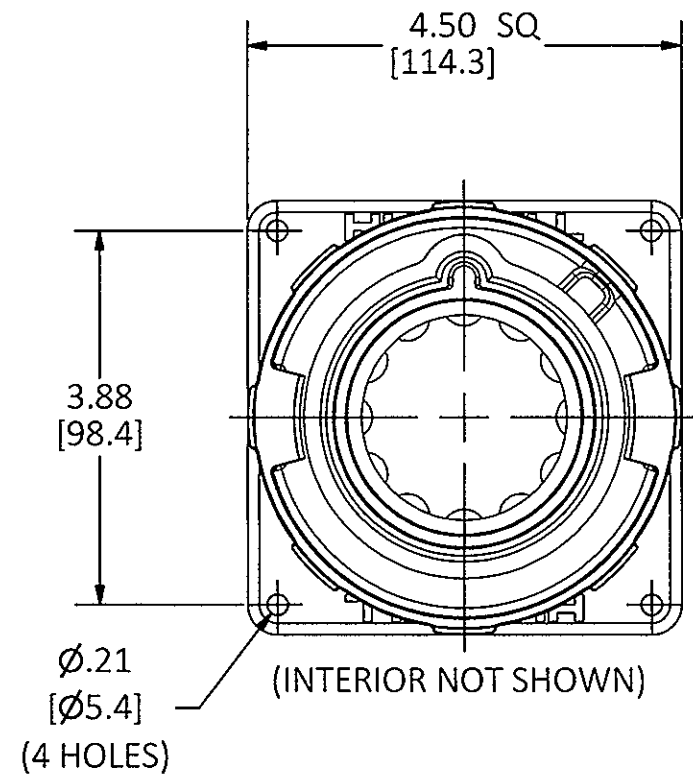


M-13344

1



LIST OF PARTS		
DESCRIPTION	MATERIAL	FINISH
HOUSING	PBT	
GASKET	RUBBER	
LOCKING RING	PBT	
INTERIOR	THERMOSET	
PINS	BRASS	
TERM. SCREWS	ST. STEEL	
GLAND CAP	PBT	
GLANDS	RUBBER	
CLAMPS	PBT	
CLAMP NUTS	BRASS	NICKEL
ASSY SCREWS	ST. STEEL	

CAT. NO.	CONFIG.	RATING	HOUSING COLOR	PILOT
HBL460B5W		60A 600VAC 3Ø	BLACK	NO
HBL460B5WP		60A 600VAC 3Ø	BLACK	YES
HBL460B6W		60A 380-415VAC 3Ø 63A - 6h/380-415V~	RED	NO
HBL460B6WP		60A 380-415VAC 3Ø 63A - 6h/380-415V~	RED	YES
HBL460B6V02		60A 380-415VAC 3Ø 63A - 6h/380-415V~	RED	NO
HBL460B7W		60A 480VAC 3Ø	RED	NO
HBL460B7WP		60A 480VAC 3Ø	RED	YES
HBL460B9W		60A 250VAC 3Ø 63A - 9h/200-250V~	BLUE	NO
HBL460B9WP		60A 250VAC 3Ø 63A - 9h/200-250V~	BLUE	YES
HBL460B9V05		60A 250VAC 3Ø 63A - 9h/200-250V~	BLUE	NO
HBL460B12W		60A 125/250VAC	ORANGE	NO
HBL460B12WP		60A 125/250VAC	ORANGE	YES

1	INITIAL RELEASE PER DCN 21982 Mr.B <i>Mr.B</i>	TLS	3/10/16
REV	DESCRIPTION	APP	DATE

THE DESIGN AND DIMENSIONS OF THE PRODUCT SHOWN ON THIS DRAWING ARE SUBJECT TO CHANGE WITHOUT NOTICE. DIMENSIONS ARE IN INCHES [mm].

TITLE
60A & 63A 4 POLE 5 WIRE PIN AND SLEEVE INLET

WIRING DEVICE-KELLEMS
HUBBELL INCORPORATED
SHELTON, CT

TOLERANCES UNLESS OTHERWISE SPECIFIED .XX = ± .01 .XXX = ± .005 ANGLE TOL. ±2	DR. BY Mr.B	SCALE 1:2
	CHK. BY TLS	DATE 3/2/16

DIMENSION SHEET FOR CAT. NO. SEE TABLE

B

M-13344

1