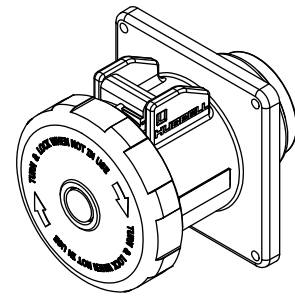
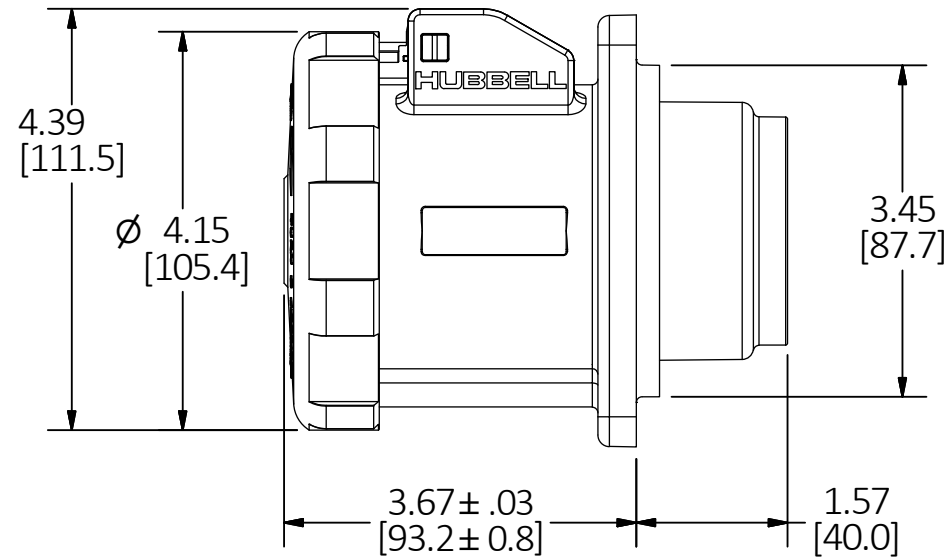
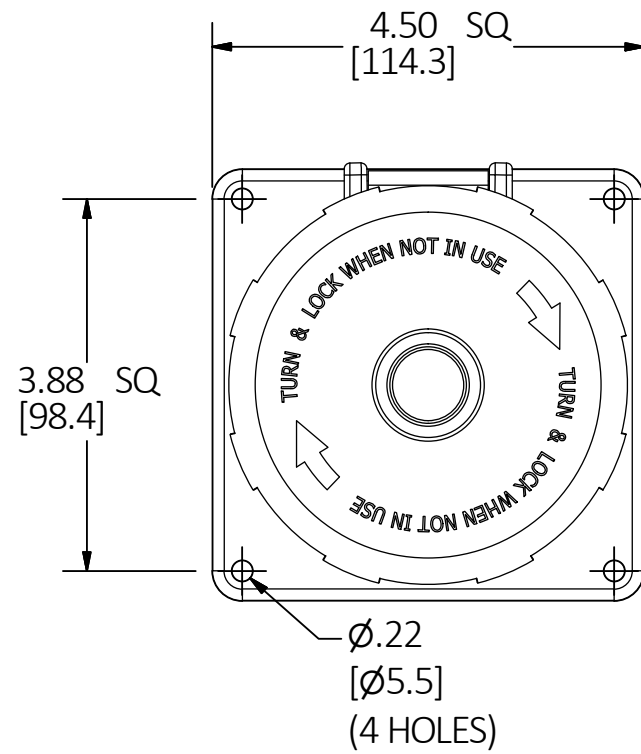


M-13822

1



CAT. NO.	CONFIG.	RATING	HOUSING COLOR	PILOT
HBL460R7WDMUS1		60A 480VAC 3Ø	RED	NO
HBL460R7WDMUS2				
HBL460R9WDMUS1		60A 250VAC 3Ø 63A - 9h/200-250V~	BLUE	NO
HBL460R9WDMUS2				

LIST OF PARTS		
DESCRIPTION	MATERIAL	FINISH
HOUSING	PBT	
INTERIOR	THERMOPLASTIC	
SLEEVES	BRASS	
SLEEVE SPRINGS	BERR COPPER	SILVER
TERMINAL SCR.	ST. STEEL	
COVER	PBT	
GASKET	CLOSED CELL FOAM	
HINGE ARM	PBT	
HINGE PIN	BRASS	NICKEL
HINGE SPRING	ST. STEEL	
ASSY. SCREWS	ST. STEEL	

1	INITIAL RELEASE PER DCN 23574 RGP	TLS	02/02/18
REV	DESCRIPTION	APP	DATE

THE DESIGN AND DIMENSIONS OF THE PRODUCT SHOWN ON THIS DRAWING ARE SUBJECT TO CHANGE WITHOUT NOTICE. DIMENSIONS ARE IN INCHES [mm].

TITLE
INTELLIGENT 60A & 63A 3 POLE 4 WIRE PIN AND SLEEVE RECEPTACLE



WIRING DEVICE-KELLEMS
HUBBELL INCORPORATED
SHELTON, CT

TOLERANCES UNLESS OTHERWISE SPECIFIED .XX = ± .01 .XXX = ± .005 ANGLE TOL. ±2'	DR. BY RGP	SCALE 1:2
	CHK. BY TLS	DATE 02/02/18