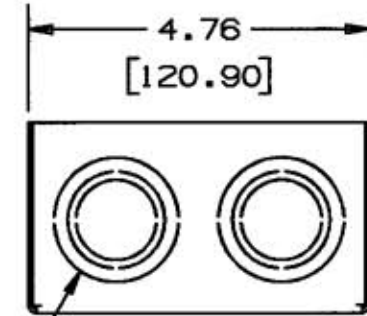
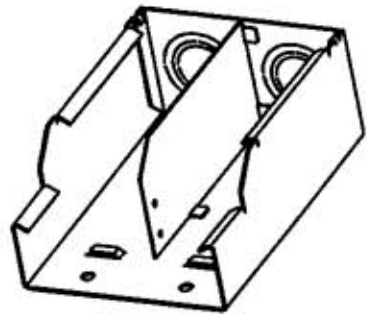
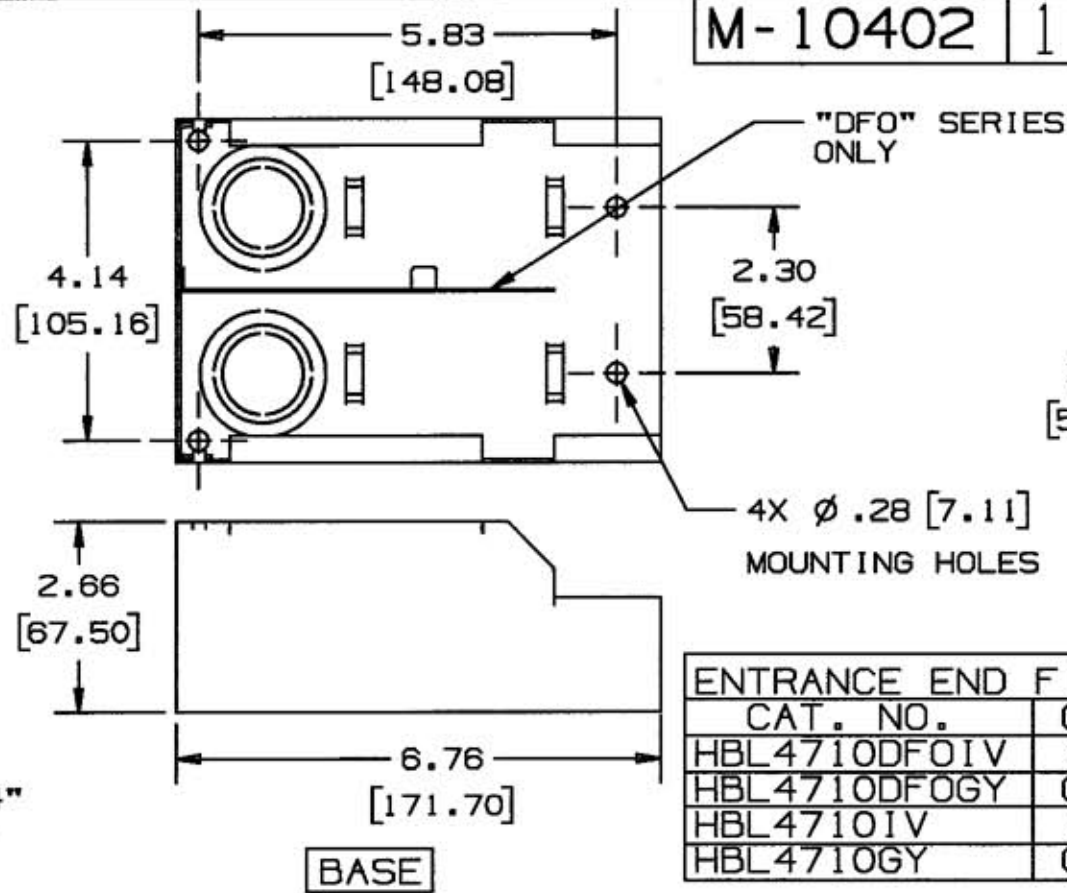


M-10402 | 1

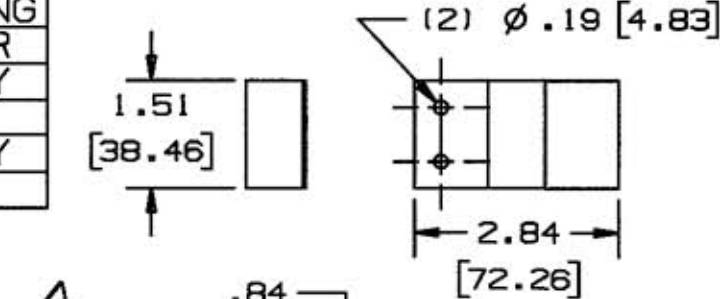


(4) 3/4", 1", 1 1/4"  
NPT CONCENTRIC K.O.

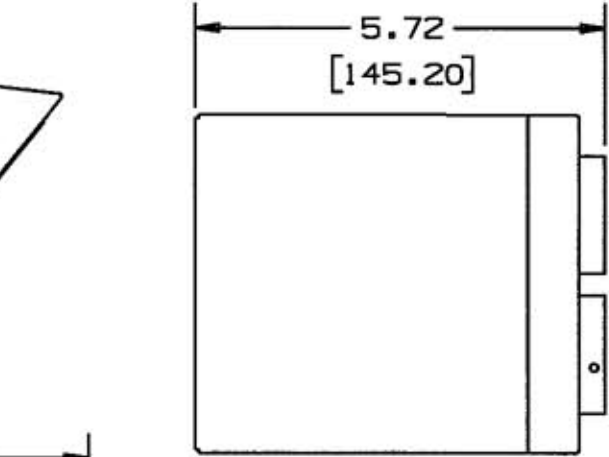


ENTRANCE END FITTING	
CAT. NO.	COLOR
HBL4710DFOIV	IVORY
HBL4710DFOGY	GRAY
HBL4710IV	IVORY
HBL4710GY	GRAY

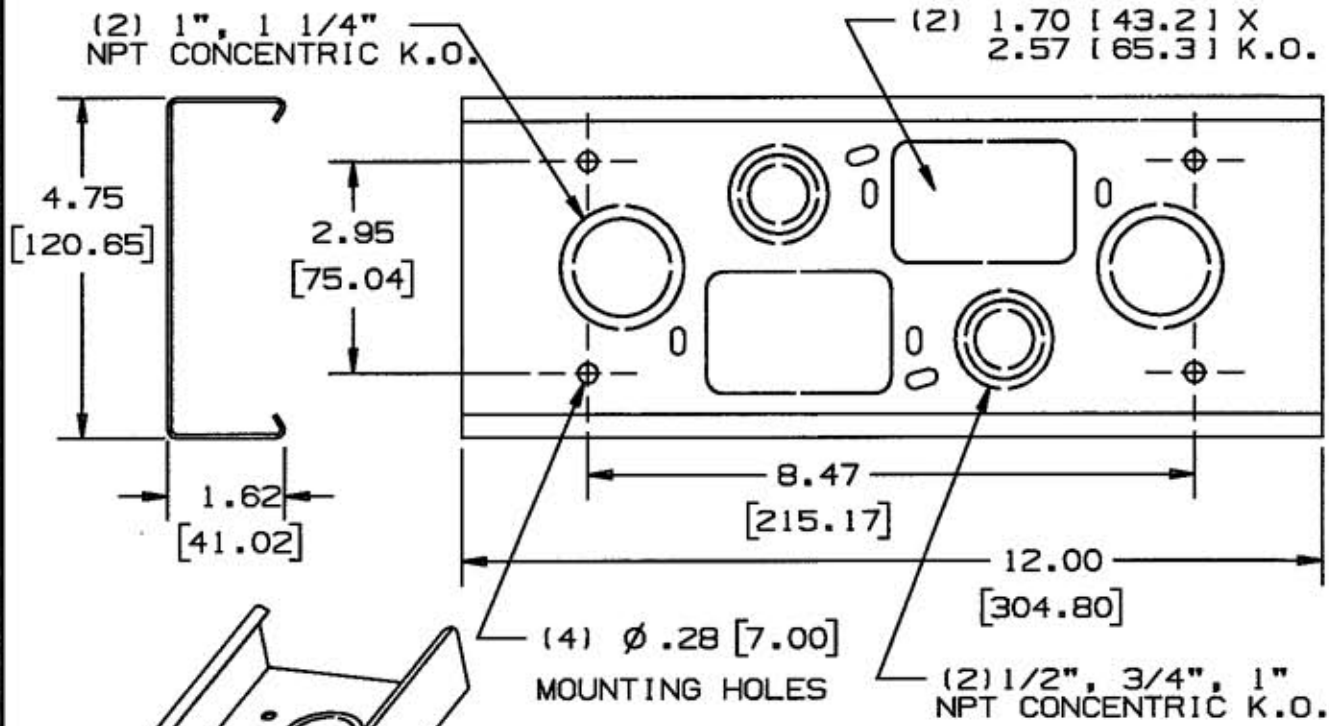
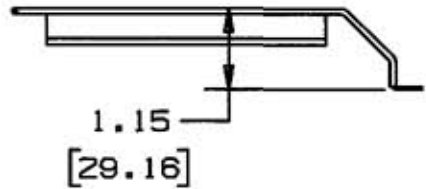
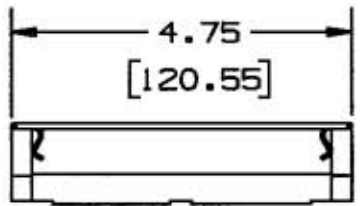
RADIUS INSERT "DFO" SERIES ONLY



BARRIER "DFO" SERIES ONLY



COVER



WALL BOX CONNECTOR	
CAT. NO.	COLOR
HBL4714AIV	IVORY
HBL4714AGY	GRAY

LIST OF PARTS

DESCRIPTION	MATERIAL	FINISH
BASE	STEEL	PAINTED
RADIUS INSERT	STEEL	PAINTED
BARRIER	STEEL	PAINTED
DIVIDER	STEEL	PAINTED
COVER	STEEL	PAINTED

DIMENSION SHEET FOR CAT. NO.

SEE TABLE

REPAIRABLE

NON-REPAIRABLE

B

M-10402

1

1	RELEASED PER DCN 13554	11/15/06
SYM	REVISIONS	APP DATE

THE DESIGN AND DIMENSIONS OF THE PRODUCT SHOWN ON THIS DRAWING ARE SUBJECT TO CHANGE WITHOUT NOTICE

TITLE  
ENTRANCE END FITTING  
HBL4750 SERIES

TOLERANCES UNLESS OTHERWISE SPECIFIED	WIRING DEVICE-KELLEMS HUBBELL INCORPORATED BRIDGEPORT, CT	
FRACTIONS $\pm$ 1/64	DR. BY SRE	APP. BY <i>SW</i>
DECIMALS $\pm$ .005	TR. BY	SCALE 1:1
ANGLES $\pm$ 2°	CHK'D BY <i>SW</i>	DATE 11/15/06

NOTE: ALL DIMENSIONS IN INCHES AND [MM]